



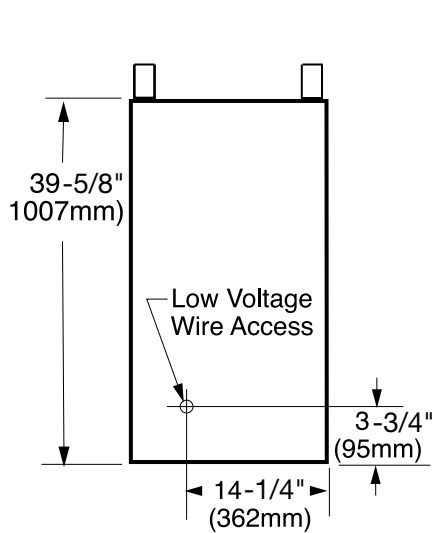
Please consult the manufacturer's installation manual for all details and requirements before making a final design layout decision.

AI Fresco-36

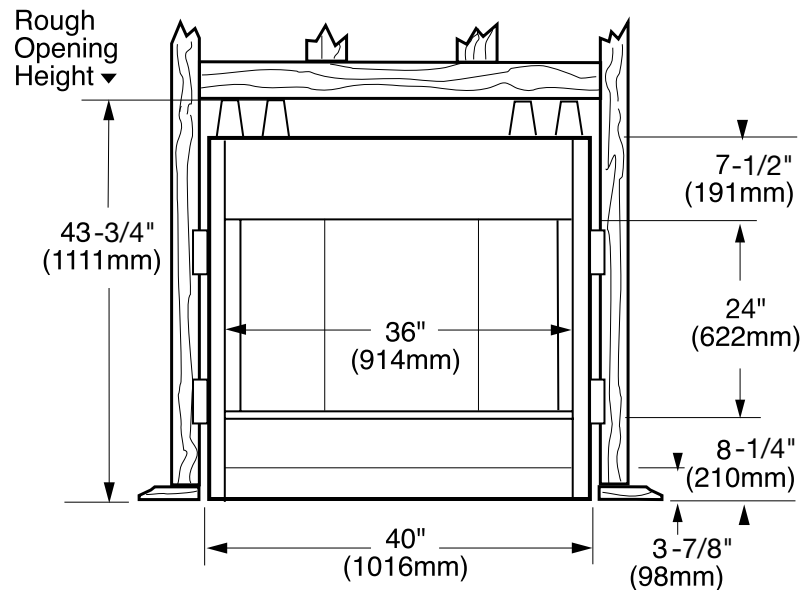
Outdoor Gas Fireplace

MODEL	FRONT WIDTH		BACK WIDTH		HEIGHT		DEPTH		VIEWING AREA
	Actual	Framing	Actual	Framing	Actual	Framing	Actual	Framing	
ODGSR36A	40" [1016]	41" [1041]	22" [559]	41" [1454]	43-1/4" [1099]	43-3/4" [1111]	22" [559]	22-1/28" [572]	36" x 24" [914 x 606]

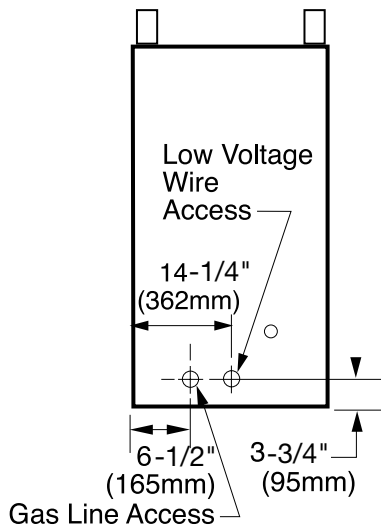
Left Side



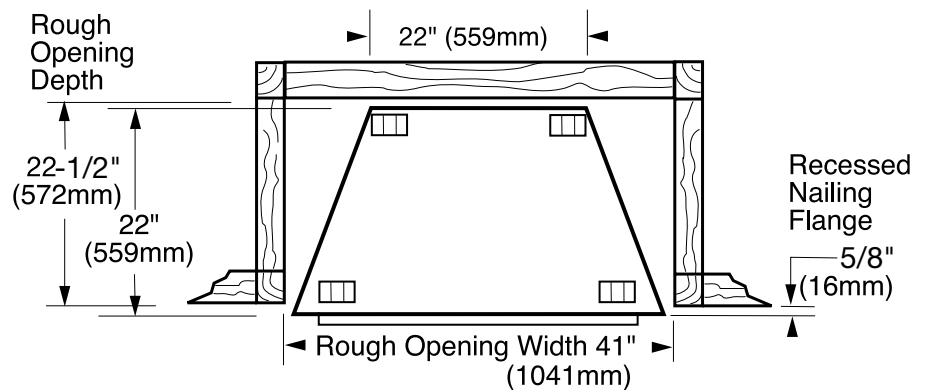
Front



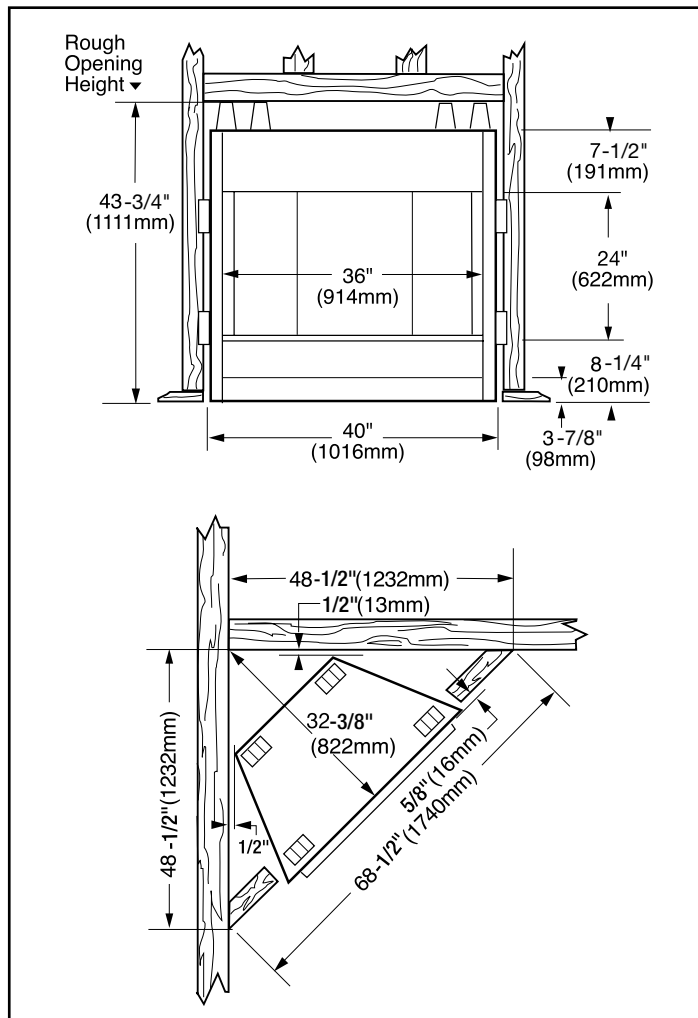
Right Side



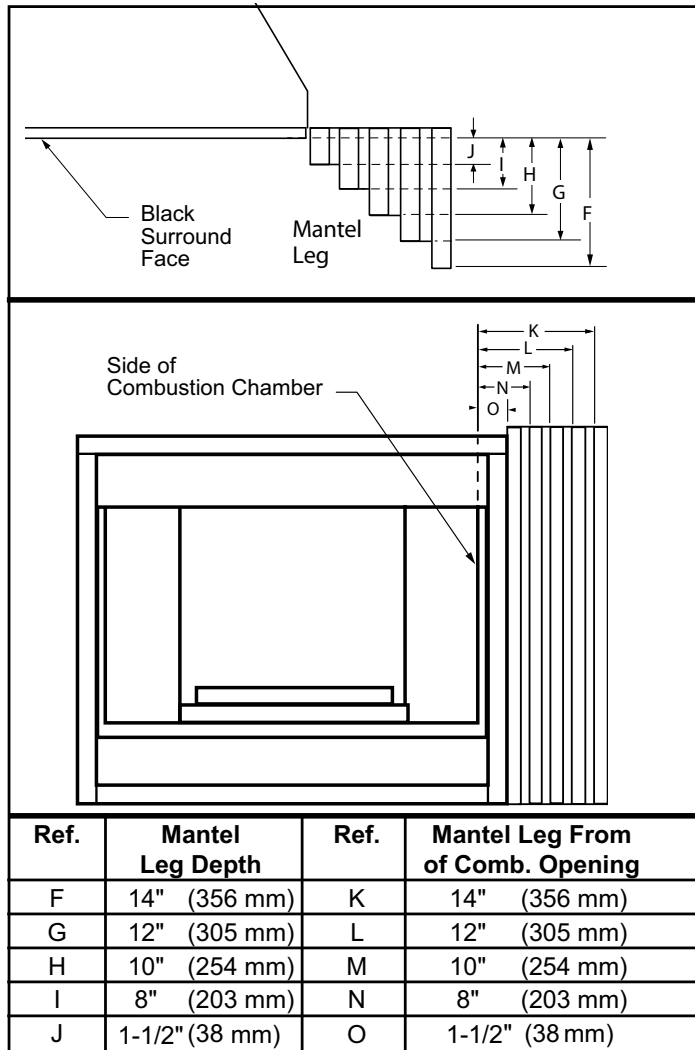
Top View



APPLIANCE LOCATION

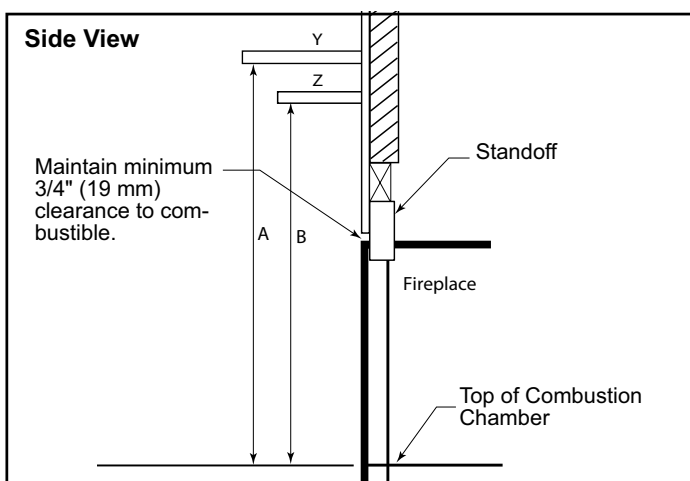


COMBUSTIBLE MANTEL LEG MINIMUM INSTALLATION



Ref.	Mantel Leg Depth	Ref.	Mantel Leg From of Comb. Opening
F	14" (356 mm)	K	14" (356 mm)
G	12" (305 mm)	L	12" (305 mm)
H	10" (254 mm)	M	10" (254 mm)
I	8" (203 mm)	N	8" (203 mm)
J	1-1/2" (38 mm)	O	1-1/2" (38 mm)

MANTEL CLEARANCES



Ref.	Mantel Shelf Depth	Ref.	Mantel From Top of Comb. Chamber
Y	8" (203 mm)	A	28" (711 mm)
Z	1-1/2" (38 mm)	B	26" (660 mm)

PRODUCT LISTING CODES	
US	ANSI Z21.97-2014
CAN	CGA CR97-003

Product information provided is not complete and is subject to change without notice. Product installation must adhere strictly to instructions accompanying product to avoid risk of fire and potential injury.

Additional information can be found online at www.fireplaces.com