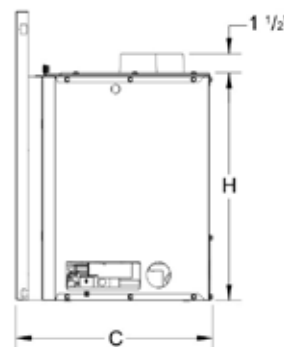
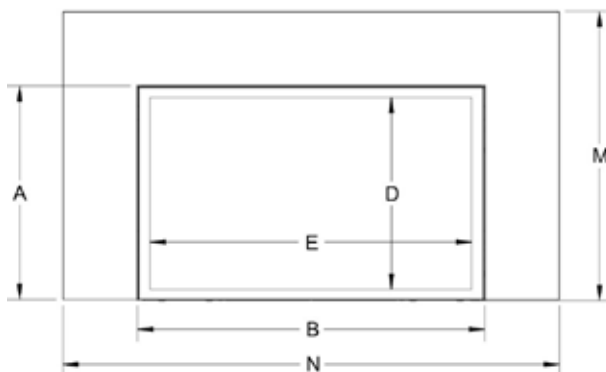
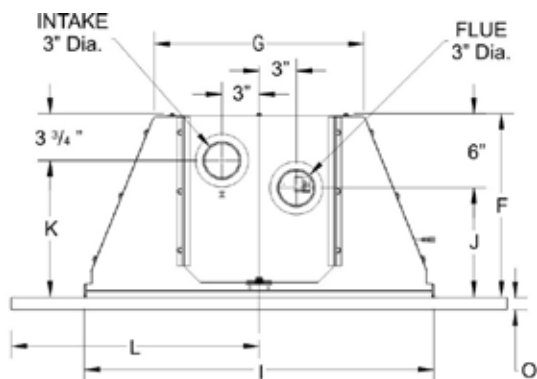


Direct-Vent Clean-Face Fireplace Insert Dimensions



Description	Index Letter	DVC20 with 1-in Surround Depth	DVC20 with 2 1/4-in Surround Depth	DVC26	DVC28
Barrier Screen Height	A	17 1/4	17 1/4	20 1/4	22 1/4
Barrier Screen Width	B	27 7/8	27 7/8	30 7/8	33 7/8
Overall Depth of Insert including Surround	C	15 7/8	15 7/8	17 5/8	17 5/8
Barrier Screen opening height	D	15 1/2	15 1/2	18 1/2	20 1/2
Barrier Screen opening width	E	25 15/16	25 15/16	28 15/16	31 15/16
Insert depth - from back of Surround to rear of insert	F	14 7/8	13 5/8	16 5/8	16 5/8
Rear width of Insert	G	17	17	18 3/4	21 3/4
Height of Insert	H	18 1/2	18 1/2	21 1/2	23 1/2
Front width of Insert cabinet	I	28 3/16	28 3/16	31 3/16	34 3/16
Back of Surround to Centerline of Flue Outlet	J	8 7/8	7 5/8	10 9/16	10 9/16
Back of Surround of Centerline of Air Inlet	K	11 3/16	9 15/16	12 7/8	12 7/8
Centerline of Insert to outside of 3" wide Surround Leg	L	17	17	18 1/2	20
Centerline of Insert to outside of 6" wide Surround Leg	L	20	20	21 1/2	23
Surround Height	M	23 1/4	26 1/4	28 1/4	28 1/4
Surround width with 3" wide Surround Legs	N	34	34	37	40
Surround width with 6" wide Surround Legs	N	40	40	43	46
Surround Depth	O	1	2 1/4	1	1

Fireplace Insert Dimensions

Fireplace Opening Dimensions Information/Sizing				
Minimum Fireplace Opening Dimensions (in inches)				
Model	A Height	B Front Width	C Depth	D Rear Width
DVC20IN	18 1/2	28 1/4	14 7/8 with 1-inch deep surround 13 5/8 with 2 1/4 inch deep surround	17 1/4
DVC26IN	21 1/2	31 1/4	16 5/8	19
DVC28IN	23 1/2	34 1/4	16 5/8	22

