

Luxury Contemporary Series Gas Fireplaces & Burner Systems



Exceeding Expectations
by Design



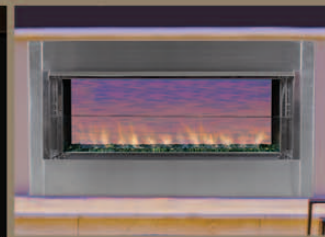
Indoor Luminary Linear



**Contemporary
Clean Faced**



**Contemporary
Pebble Burner**



**Outdoor
Luminary Linear**



Luxury Contemporary Series Gas Fireplaces

Luxury Contemporary Series

Indoor Luminary Linear

Vantage Hearth premieres two new indoor Luminary linear fireplaces from the *Luxury Contemporary* series. Introducing the Linear Direct Vent and Vent-Free Gas Fireplaces. These dynamic new products are offered in an amazingly chic and polished style with adaptability and versatility you haven't even thought of, yet.

Both fireplaces span 43" across and take on a modern oblong shape unlike any of our other units. Reflective black porcelain lined interior walls amplify the flame and boast the power of the fire. The crystal clear glass beads add sparkle to the burner and already dazzling yellow flames. The lively blaze is highlighted by a glowing tray of embers and is innovatively accented with hallogen lighting. The lights shine through from underneath the glass stones to elegantly illuminate your fireplace. Now you can create ambiance with mood lighting whether the fire is burning or not.



Convert your Linear fireplace into a See-Thru model. A choice solution for adding a modern feel to two rooms at once.

This cutting edge design is far from traditional, yet all controls remain concealed so the finished look remains as clean and effortless as possible. This standout series is beyond accommodating when it comes to application. Both swanky hearths have the ability to transform to see-thru models. Simply remove the back panel on your linear fireplace to easily transform to a multi-view model with the optional see-thru conversion kits (Direct Vent - LDSTI / Vent-Free - LVSTI). Replace the back panel with the glass door to enjoy this focal point from two vantage points.

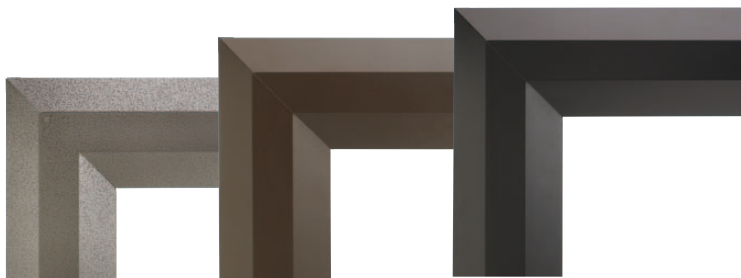
We've taken the Luminary Linear to the next level! Once you've installed a see-thru glass door, you can opt for an even more appealing feature, allowing you to experience this luminary from the warmth of your home or in your backyard retreat. Introducing our first ever accessory glass door kit for Direct Vent Indoor/Outdoor applications (LDSTO). This unique accessory includes a tempered glass door and weather-proof frame allowing you to enjoy one side of your see-thru from your outside patio.



Accent Lighting illuminates your fireplace even when it's not burning. Operate hallogen lights with included remote control.



The Linear Fireplace Direct Vent burners include ember material that extends the flame.



Vantage Hearth Linear fireplaces can be finished right up to the edge or be bold and choose from our Decorative Face Trim Frame offered in black, aged silver or aged copper.



Upgrade your Linear Direct Vent to a See-Thru Model. Take it to the next level by adding our Indoor/Outdoor Accessory See-Thru Door Kit.

Fireplaces

Luxury Contemporary Series Gas Fireplaces

Outdoor Luminary Linear

Vantage Hearth premieres the new outdoor Luminary linear Vent-Free Fireplace System.

Equipped with stainless steel and glass weather panel to resist the outdoor elements and includes reflective interior walls to amplify the flame and boast the power of the fire. The green glass beads add sparkle to the burner and already dazzling yellow flames or choose one of the other color beads to set the mood.

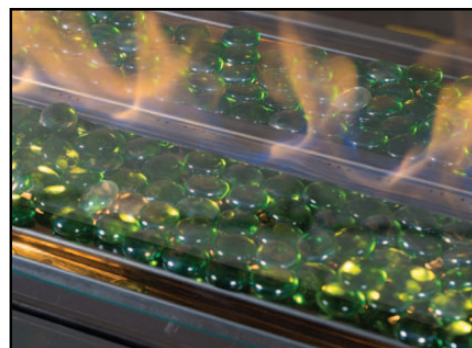
The lively blaze is innovatively accented with hallogen lighting. The lights shine through from underneath the glass stones to elegantly illuminate your fireplace. Now you can create ambiance with mood lighting whether the fire is burning or not.



This cutting edge design is far from traditional, yet all controls remain concealed so the finished look remains as clean and effortless as possible. The fireplace features an adjustable flame and electronic ignition for your convenience. Mood lighting and remote control are standard and green smooth pebbles complete the look. This standout series is beyond accommodating when it comes to application. Outdoor Luminary Linear Vent-Free fireplaces have the ability to transform to see-thru models. Simply remove the back panel on your linear fireplace and combine with the two sided kit to easily transform into a multi-view model (LVOST - The two sided kit has the additional glass panel along with a trim piece).



Outdoor Luminary Linear Fireplaces help set the mood with ambient lighting, dancing flames and glass beads. What's more, these fireplaces can easily transform to See-Thru models so you can enjoy the beauty from two locations.



Luminary Linear Gas Fireplaces						
SIZE	MODEL #	DESCRIPTION	CONTROL	BTU OUTPUT	FUEL	WEIGHT
<i>Indoor Luminary Vent-Free Gas Fireplaces</i>						
43"	VLVF43NR	Linear Vent-Free Fireplace	Remote-Ready	40,000	Natural	225.0 lbs.
43"	VLVF43PR	Linear Vent-Free Fireplace	Remote-Ready	40,000	Propane	225.0 lbs.
<i>Indoor Luminary Direct Vent Gas Fireplaces</i>						
43"	VLDV43NE	Linear Direct Vent Fireplace	Electronic Ignition	26,000 to 41,000	Natural	245.0 lbs.
43"	VLDV43PE	Linear Direct Vent Fireplace	Electronic Ignition	25,000 to 39,000	Propane	245.0 lbs.
<i>Outdoor Luminary Vent-Free Gas Fireplaces</i>						
43"	VLFO43NE	Linear Vent-Free Fireplace	Electronic Ignition	40,000	Natural	225.0 lbs.
43"	VLFO43PE	Linear Vent-Free Fireplace	Electronic Ignition	40,000	Propane	225.0 lbs.

Luxury Contemporary Series Gas Fireplaces

Luxury Contemporary Series

Contemporary Clean Faced Direct Vent

The clean face design of Vantage Hearth's new Contemporary Clean Faced Direct Vent Gas Fireplace moves away from the traditional concept of the Direct Vent fireplace with unsightly sheet metal and louvers.

Every effort was exhausted on our design to maximize the things you want to see, and to get rid of the things you don't. The smooth glass pebbles add a modern touch to this sleek hearth. And while the strong blaze of the hidden pan burner creates lively, colorful flames, the black porcelain reflective panels magnify them. The ceramic glass door provides maximum radiant heat.



The Contemporary Clean Faced Direct Vent gas fireplace features a fully electronic ignition and control system with battery back-up for safe, reliable duty even in power outages. The system features a 50% Hi/Lo turn down control that can be operated from a wall switch or the convenient remote control included. The solid steel chassis face includes heavy, continuous nailing flanges and drywall stops around the face frame for solid installation, and includes a tough, textured powder coat finish.



Reflective black porcelain lined interior walls amplify the flame and boast the power of the fire.



Contemporary Clean Faced Direct Vent Fireplaces

SIZE	MODEL #	DESCRIPTION	CONTROL	BTU OUTPUT	FUEL	WEIGHT
36"	VEADV36NE	Direct Vent Fireplace	Remote-Ready	27,000 to 51,000	Natural	TBD
36"	VEADV36PE	Direct Vent Fireplace	Remote-Ready	26,000 to 42,000	Propane	TBD
42"	VEADV42NE	Direct Vent Fireplace	Electronic Ignition	36,000 to 59,000	Natural	TBD

Sleek & Sophisticated

Contemporary Pebble Burner

Introducing the Luminary Series *Contemporary Pebble Burner System*, a beautifully sleek alternative to a traditional gas log set. The polished pan burner and elegant glass stones are far from the classic hearth look. The rich yellow flames dance across the glistening glass stones for a sophisticated and chic appearance. Refining any vent-free firebox with this unique pebble burner is quick and easy. Best of all, you can give your living space a fresh start without the inconvenience or price tag that comes with home remodeling.

The *Contemporary Pebble Burner* is available in 24" and 30" sizes. The remote ready burner system makes adding the accessory remote control or wall mount switch easy. Controls remain hidden to keep your look as clean and effortless as possible.

Crystal clear smooth glass pebbles come with every model. Accessory glass pebbles in alternative shades are available to match the décor of any room. Opt for the fiery speckled orange stones to liven the look of your flame or choose one of the three other jewel toned colors to set the mood. Customize your look by adding lava rock or glowing platinum embers.

The *Contemporary Pebble Burner* offers you the flexibility of upgrading your conventional Vent-Free firebox with the latest technology in the industry. This cutting edge design is a perfect match for today's home.



Contemporary Pebble Burner System shown with optional vent-free firebox and black reflective porcelain liners.



Contemporary Pebble Burner System help set the mood with dancing flames and clear glass beads.

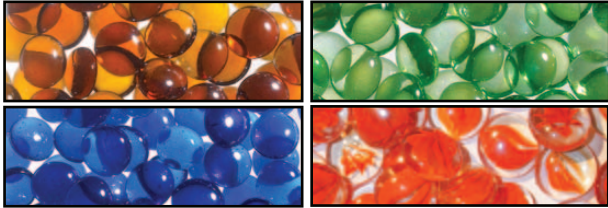
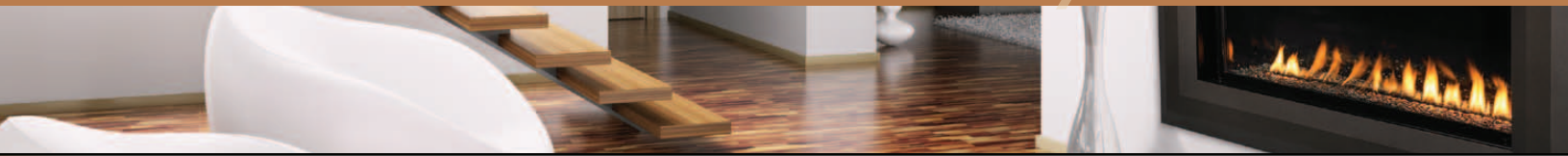


Customize your showpiece with colored stone accessories. Pebbles are available in Amber, Blue, Green & Speckled Orange

Contemporary Pebble Burner						
SIZE	MODEL #	DESCRIPTION	CONTROL	BTU OUTPUT	FUEL	WEIGHT
24"	VFC24NR	Vent-Free Burner System	Remote-Ready	32,000	Natural	19.0 lbs.
24"	VFC24PR	Vent-Free Burner System	Remote-Ready	32,000	Propane	19.0 lbs.
30"	VFC30NR	Vent-Free Burner System	Remote-Ready	32,000	Natural	23.0 lbs.
30"	VFC30PR	Vent-Free Burner System	Remote-Ready	32,000	Propane	23.0 lbs.

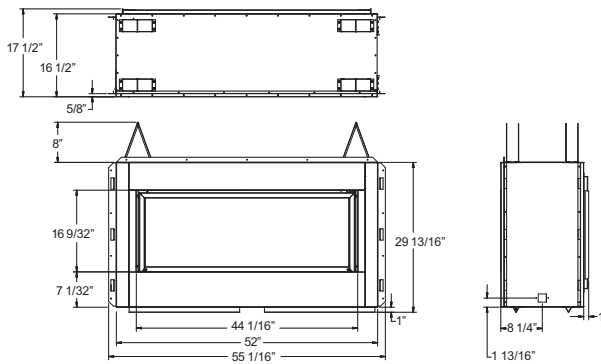
Minimum Firebox Requirements				
BURNER SIZE	HEIGHT	DEPTH	FRONT WIDTH	REAR WIDTH
24"	17"	13 1/2"	26"	18"
30"	17"	13 1/2"	32"	22"

Luxury Contemporary Series Gas Fireplaces

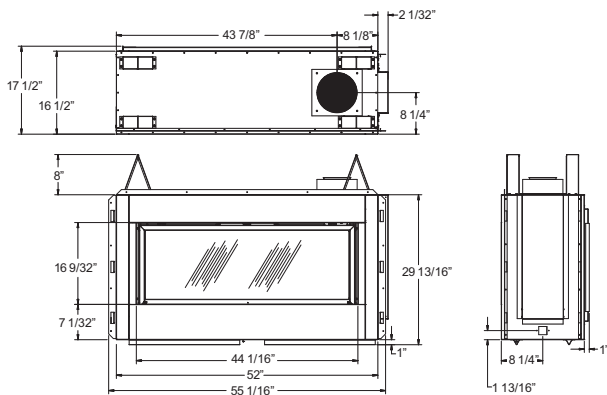


Customize your showpiece with colored stone accessories. Pebbles are available in Amber, Blue, Green & Speckled Orange

Luminary Linear Vent-Free Product Dimensions



Luminary Linear Direct Vent Product Dimensions



Note: All measurements are in inches. Dimensions on this catalog are approximate. For accurate dimensions, refer to the installation instructions.

Accessories For Luminary Linear Fireplaces

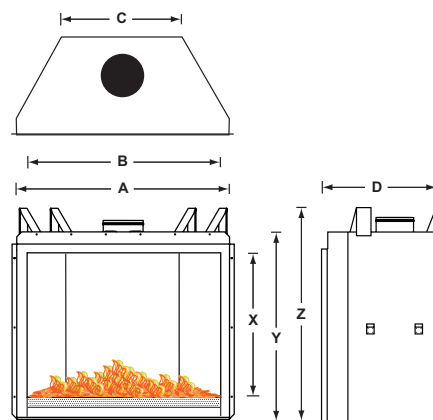
LDSTI	Indoor Direct Vent Linear See-Thru Conversion Kit	39.0 lbs.
LDSTO	Direct Vent Linear Indoor/Outdoor See-Thru Upgrade (Must use with LDSTI)	27.0 lbs.
LVSTI	Indoor Vent-Free Linear See-Thru Conversion Kit	25.3 lbs.
LVOST	Outdoor Vent-Free Linear See-Thru Conversion kit	30 lbs.
LV43DS	Vent-Free Linear Draft Shield	
GP43A	Smooth Glass Pebbles - Amber	6.0 lbs.
GP43B	Smooth Glass Pebbles - Blue	6.0 lbs.
GP43C	Smooth Glass Pebbles - Clear	6.0 lbs.
GP43G	Smooth Glass Pebbles - Green	6.0 lbs.
GP43SO	Smooth Glass Pebbles - Speckled Orange	6.0 lbs.
DFT43B	Decorative Face Trim - Black	20.0 lbs.
DFT43AS	Decorative Face Trim - Aged Silver	20.0 lbs.
DFT43AC	Decorative Face Trim - Aged Copper	20.0 lbs.
TRC	Thermostat Remote Control Kit (For indoor vent-free use)	1.0 lb.
GWMT1	Wall Mount Thermostat Control Kit	1.0 lb.

Accessories For Contemporary Clean Faced Fireplaces & Vent-Free Pebble Burner

GP43A	Smooth Glass Pebbles - Amber	6.0 lbs.
GP43B	Smooth Glass Pebbles - Blue	6.0 lbs.
GP43G	Smooth Glass Pebbles - Green	6.0 lbs.
GP43SO	Smooth Glass Pebbles - Speckled Orange	6.0 lbs.

Contemporary Clean Faced Direct Vent Product Dimensions

SIZE	A	B	C	D	X	Y	Z
36" Fireplace	41"	35"	29"	21"	31"	38 7/8"	43"
42" Fireplace	48 1/4"	42"	34 3/4"	25"	35"	42 7/8"	47"



IMPORTANT

Installation must be done by qualified service persons. Read Owner's Manual before using. Check local codes and ordinances for permitted uses. Vent-free gas products are prohibited for bedroom and bathroom installation in Massachusetts. All products approved for manufactured (mobile) home installation. We reserve the right to amend product specifications without notice. Operating heater at very high elevations could cause nuisance outages.

Use with adequate air (ventilation) only. Humidifies while it heats. Provides water vapor in the area heated. Refer to owner's manual for specifics. Product cannot be converted between fuel types. The only warranty we offer is our standard warranty. Please read the warranty for any limitations or disclaimers. All parts have a limited four year warranty. Stainless Steel burners carry a limited five year warranty. All accessories have a one year warranty.

Vantage Hearth[™]
by FMI PRODUCTS, LLC

Fmi
FMI PRODUCTS, LLC



Look For Us Online
www.fmiproducts.com