



Exceeding Expectations
by Design

LogMate® Vent-Free Gas Fireboxes

Indoor / Outdoor



Premium Luxury Series



Standard
Traditional Series

Performance
Traditional Series

Premium
Traditional Series

Full-View
Traditional Series

Multi-View
Series

Traditional Series

Standard

Vantage Hearth's Standard fireboxes from the Traditional Series offer a beautiful, traditional fireplace setting at an attractive price. Fireboxes range in size from 36 inches up to 42 inches so you can select the firebox that best suits your home. Both louvered and flush face circulating styles are available.



Performance

The *Performance* fireboxes offer a beautiful, traditional fireplace setting at an attractive price. Fireboxes range in size from 32 inches up to 42 inches so you can select the fireplace that best suits your home. Both louvered and flush face circulating styles are available. Simply combine a Vantage Hearth cabinet mantel or gas log set.

Premium "Indoor"

Fully loaded and truly impressive, Vantage Hearth's Traditional Series *Premium* is the flagship product, and sets tough new standards for any vent-free gas firebox. The innovative *Premium* captures all the latest visual and functional technologies, features and conveniences available. *Premium* models are available in sizes up to 50 inches with a smooth face, ideal for custom trim applications such as stone or marble. Shown with a Vantage Hearth gas log set and custom mantel.



Full-View "Indoor"

The *Full-View* Indoor fireboxes from the Traditional Series features a tall opening, which more closely resembles a masonry fireplace. All fireboxes feature an attractive textured charcoal paint finish, hood & wire mesh firescreens.

Both Traditional Stacked or Herringbone brick patterns available. Outfitted with a Vantage Hearth Sienna Decorative Screen Door to complete the look.



Full-View "Outdoor"

The *Full-View* Outdoor fireboxes from the Traditional Series (shown above) feature a tall opening, which more closely resembles a masonry fireplace. Fireboxes range in size from 32 inches up to 42 inches. All fireboxes feature a stainless steel face & wire mesh firescreens. Both Traditional Stacked or Herringbone brick patterns are available.

Premium "Outdoor"

The *Premium* Outdoor fireboxes from the Traditional Series (shown right) feature a massive opening & is fully insulataate. Fireboxes range in size from 36 inches up to 50 inches. All fireboxes feature a stainless steel face & wire mesh firescreens. Both Traditional Stacked or Herringbone brick patterns are available. Includes a Gas line knock-out for installing Vantage Hearth gas logs, such as, the Vantage Hearth Southern Comfort log set.



Outdoor setting courtesy of "BELGARD's Bristol Elements Collection by Harmony Outdoor Living"

Traditional Series



Standard Firebox



Performance Circulating Firebox



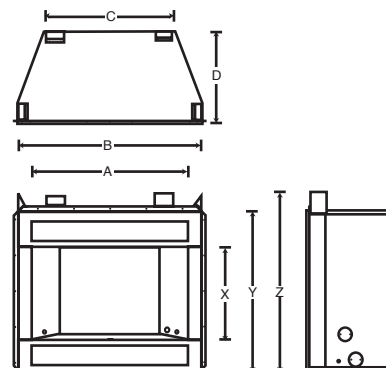
Full-View Smooth Face Firebox

Traditional Series Fireboxes (Standard, Performance, Premium Indoor/Outdoor, Full-View Indoor/Outdoor)		
MODEL #	DESCRIPTION	WEIGHT
Standard "Indoor" (Not for use with Vantage Hearth Cabinet Mantels & Doors)		
VBFBF36K	36" Flush face "circulating" firebox, fully insulated, black interior	101.0 lbs.
VBFBF36WS	36" Flush face "circulating" firebox, stacked refractory brick side & back panels	235.0 lbs.
VBFL36K	36" Louver face "circulating" firebox, fully insulated, black interior	101.0 lbs.
VBFL36WS	36" Louver face "circulating" firebox, fully insulated, stacked refractory brick side & back panels	235.0 lbs.
VBFBF42K	42" Flush face "circulating" firebox, fully insulated, black interior	105.0 lbs.
VBFBF42WS	42" Flush face "circulating" firebox, fully insulated, stacked refractory brick side & back panels	270.5 lbs.
VBFL42K	42" Louver face "circulating" firebox, fully insulated, black interior	105.0 lbs.
VBFL42WS	42" Louver face "circulating" firebox, fully insulated, stacked refractory brick side & back panels	270.5 lbs.
Performance "Indoor"		
VFBF32WS	32" Flush face "circulating" firebox, stacked refractory brick panels, hood, wire mesh fire-screen & outlet	104.0 lbs.
VFBL32WS	32" Louver face "circulating" firebox, stacked refractory brick panels, hood, wire mesh fire-screen & outlet	104.0 lbs.
VFBF36WS	36" Flush face "circulating" firebox, stacked refractory brick panels, hood, wire mesh fire-screen & outlet	184.0 lbs.
VFBL36WS	36" Louver face "circulating" firebox, stacked refractory brick panels, hood, wire mesh fire-screen & outlet	184.0 lbs.
VFBF36WS	42" Flush face "circulating" firebox, stacked refractory brick panels, hood, wire mesh fire-screen & outlet	224.0 lbs.
VFBL36WS	42" Louver face "circulating" firebox, stacked refractory brick panels, hood, wire mesh fire-screen & outlet	224.0 lbs.
Premium Marquee "Indoor" (Not for use with Vantage Hearth Mantels & Doors)		
VU36S	36" Smooth face firebox, ivory stacked refractory brick panels & wire mesh fire-screen	446.0 lbs.
VU36H	36" Smooth face firebox, ivory herringbone refractory brick panels & wire mesh fire-screen	446.0 lbs.
VU42S	42" Smooth face firebox, ivory stacked refractory brick panels & wire mesh fire-screen	524.0 lbs.
VU42H	42" Smooth face firebox, ivory herringbone refractory brick panels & wire mesh fire-screen	524.0 lbs.
VU50S	50" Smooth face firebox, ivory stacked refractory brick panels & wire mesh fire-screen	620.0 lbs.
VU50H	50" Smooth face firebox, ivory herringbone refractory brick panels & wire mesh fire-screen	620.0 lbs.
Premium Sagamore "Outdoor" (Not for use with Vantage Hearth Mantels & Doors)		
VQ36S	36" Smooth face stainless steel firebox, natural white stacked brick refractory panels	446.0 lbs.
VQ36H	36" Smooth face stainless steel firebox, natural white herringbone brick refractory panels	446.0 lbs.
VQ42S	42" Smooth face stainless steel firebox, natural white stacked brick refractory panels	524.0 lbs.
VQ42H	42" Smooth face stainless steel firebox, natural white herringbone brick refractory panels	524.0 lbs.
VQ50S	50" Smooth face stainless steel firebox, natural white stacked brick refractory panels	620.0 lbs.
VQ50H	50" Smooth face stainless steel firebox, natural white herringbone brick refractory panels	620.0 lbs.
Full-View "Indoor"		
VTFB32	32" Smooth face firebox, stacked refractory brick panels, hood & wire mesh fire-screen	104.0 lbs.
VTFB32H	32" Smooth face firebox, herringbone refractory brick panels, hood & wire mesh fire-screen	104.0 lbs.
VTFB36	36" Smooth face firebox, stacked refractory brick panels, hood & wire mesh fire-screen	184.0 lbs.
VTFB36H	36" Smooth face firebox, herringbone refractory brick panels, hood & wire mesh fire-screen	184.0 lbs.
VTFB42	42" Smooth face firebox, stacked refractory brick panels, hood & wire mesh fire-screen	224.0 lbs.
VTFB42H	42" Smooth face firebox, herringbone refractory brick panels, hood & wire mesh fire-screen	224.0 lbs.
Full-View "Outdoor"		
VTFB032S	32" Smooth face stainless steel firebox, stacked refractory brick panels & wire mesh fire-screen	104.0 lbs.
VTFB032H	32" Smooth face stainless steel firebox, herringbone refractory brick panels & wire mesh fire-screen	104.0 lbs.
VTFB036S	36" Smooth face stainless steel firebox, stacked refractory brick panels & wire mesh fire-screen	184.0 lbs.
VTFB036H	36" Smooth face stainless steel firebox, herringbone refractory brick panels & wire mesh fire-screen	184.0 lbs.
VTFB042S	42" Smooth face stainless steel firebox, stacked refractory brick panels & wire mesh fire-screen	224.0 lbs.
VTFB042H	42" Smooth face stainless steel firebox, herringbone refractory brick panels & wire mesh fire-screen	224.0 lbs.

Firebox Dimensions

MODEL #	A	B	C	D	X	Y	Z
36" Standard	36 1/8	38 1/8	22 1/2	21	21 3/8	33 1/8	37 7/8
42" Standard	42	44 1/8	28 1/2	21	21 3/8	33 1/8	37 7/8
32" Performance	29 1/2	34 1/2	22 1/2	16 5/8	18 1/2	32 1/4	36 1/2
36" Performance	35	41 1/8	29	21 1/8	21	36	40 1/4
42" Performance	42	48 1/8	36 1/8	23	24	40	44 1/4
36" Premium	36	45	29	26	30	49	54 1/2
42" Premium	42	51	30 1/2	28	30	49	54 1/2
50" Premium	50	59	38 1/2	28	30	49	54 1/2
32" Full-View	29 1/2	34 1/2	22 1/2	16 3/4	24	32 1/4	36 1/2
36" Full-View	35	41	29	21 1/8	26	36	40 1/4
42" Full-View	42	48	36 1/8	23	29 1/2	40	44 1/4

Note: All measurements are in inches. Dimensions in this catalog are approximate. For accurate dimensions, refer to the installation instructions.



Luxury Series

Vantage Hearth's Mosaic Masonry™ technology is a dramatic development that will change the way you think about the fireplace. This technology combines traditional appearance and traditional materials with modern assembly techniques to create a fireplace that is unparalleled in its beauty and value.

Two trends related to today's homes make our patent-pending Mosaic Masonry™ technology significant. First, homeowners want distinctive, high quality products in their home. Surveys of top home builders and buyers alike confirm that homeowners are paying more attention to the details in their homes, and are looking for choices and selections to make their homes more attractive, more distinctive, more valuable. Secondly, people also want convenience. We all want home products that are easy to install, and are easy to operate. The Mosaic Masonry™ technology does both these things.

There are two types of fireplaces on the market today: One, a masonry fireplace, is built brick-by-brick by a skilled mason. These are the oldest fireplaces, and considered the aesthetic standard for all fireplaces. The second type of fireplace is a prefabricated fireplace, with factory-built components that are available at a fraction of the cost of a regular masonry fireplace. These fireplaces are tested and certified to established safety standards, and are available in both gas and wood burning models.

The Mosaic Masonry™ technology uniquely combines that quality appearance of a masonry fireplace with the installation convenience and more reasonable cost of a factory-built fireplace.



Luxury Series Vent-Free Fireboxes are equipped with Mosaic Masonry™ Firebrick. Simply install your choice of Vantage Hearth Vent-Free Gas Logs.



Mosaic Masonry™ made simple. All new engineered firebrick walls are hand grouted in the factory for ease of installation.



Pre-engineered firebrick wall system features steel reinforced, factory-built and grouted masonry walls that easily slip into place and securely fasten to the steel fireplace chassis.



All Mosaic Masonry™ fireplaces come with either Ivory or Red brick in stacked or herringbone patterns.

Luxury Series

Marquee Premium "Indoor"

Product Features

- Real firebrick lining for utmost beauty and durability
- Choice of *stacked* or *herringbone* brick patterns
- Choice of ivory or warm red brick colors
- Tested and listed to ANSI standards
- Marquee Premium Firebox sizes: 36", 42", 50"
- 30" opening and clean face design
- Gas line knock-out for installing gas logs or log lighter



Sagamore Premium "Outdoor"

Product Features

- Real firebrick lining for utmost beauty and durability
- Choice of *stacked* or *herringbone* brick patterns
- Choice of ivory or warm red brick colors
- Tested and listed to ANSI standards
- Sagamore Premium Firebox sizes: 36", 42", 50"
- 30" opening and clean face design
- Specially designed stainless steel models for outdoor applications
- Gas line knock-out for installing gas logs or log lighter

Fireboxes Indoor / Outdoor Vent-Free Fireboxes



Premium Indoor Firebox



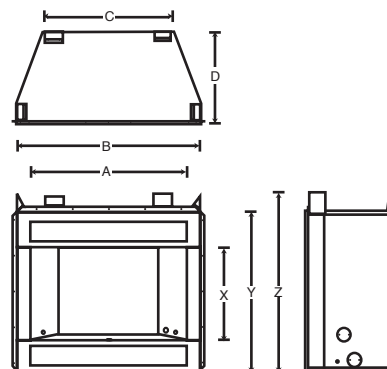
Premium Outdoor Firebox

Luxury Series Vent-Free Fireboxes (Premium Indoor / Outdoor)		
MODEL #	DESCRIPTION	WEIGHT
Premium Marquee "Indoor" (Not for use with Vantage Hearth Cabinet Mantels & Doors)		
VUM36HIA	36" Vent-Free Indoor Firebox with Ivory Herringbone Brick	520.0 lbs.
VUM36HRA	36" Vent-Free Indoor Firebox with Red Herringbone Brick	520.0 lbs.
VUM36SIA	36" Vent-Free Indoor Firebox with Ivory Stacked Brick	520.0 lbs.
VUM36SRA	36" Vent-Free Indoor Firebox with Red Stacked Brick	520.0 lbs.
VUM42HIA	42" Vent-Free Indoor Firebox with Ivory Herringbone Brick	679.0 lbs.
VUM42HRA	42" Vent-Free Indoor Firebox with Red Herringbone Brick	679.0 lbs.
VUM42SIA	42" Vent-Free Indoor Firebox with Ivory Stacked Brick	679.0 lbs.
VUM42SRA	42" Vent-Free Indoor Firebox with Red Stacked Brick	679.0 lbs.
VUM50HIA	50" Vent-Free Indoor Firebox with Ivory Herringbone Brick	696.0 lbs.
VUM50HRA	50" Vent-Free Indoor Firebox with Red Herringbone Brick	696.0 lbs.
VUM50SIA	50" Vent-Free Indoor Firebox with Ivory Stacked Brick	696.0 lbs.
VUM50SRA	50" Vent-Free Indoor Firebox with Red Stacked Brick	696.0 lbs.
Premium Sagamore "Outdoor" (Not for use with Vantage Hearth Cabinet Mantels & Doors)		
VQM36HIA	36" Vent-Free Outdoor Stainless Steel Firebox with Ivory Herringbone Brick	520.0 lbs.
VQM36HRA	36" Vent-Free Outdoor Stainless Steel Firebox with Warm Red Herringbone Brick	520.0 lbs.
VQM36SIA	36" Vent-Free Outdoor Stainless Steel Firebox with Ivory Stacked Brick	520.0 lbs.
VQM36SRA	36" Vent-Free Outdoor Stainless Steel Firebox with Warm Red Stacked Brick	520.0 lbs.
VQM42HIA	42" Vent-Free Outdoor Stainless Steel Firebox with Ivory Herringbone Brick	679.0 lbs.
VQM42HRA	42" Vent-Free Outdoor Stainless Steel Firebox with Warm Red Herringbone Brick	679.0 lbs.
VQM42SIA	42" Vent-Free Outdoor Stainless Steel Firebox with Ivory Stacked Brick	679.0 lbs.
VQM42SRA	42" Vent-Free Outdoor Stainless Steel Firebox with Warm Red Stacked Brick	679.0 lbs.
VQM50HIA	50" Vent-Free Outdoor Stainless Steel Firebox with Ivory Herringbone Brick	696.0 lbs.
VQM50HRA	50" Vent-Free Outdoor Stainless Steel Firebox with Warm Red Herringbone Brick	696.0 lbs.
VQM50SIA	50" Vent-Free Outdoor Stainless Steel Firebox with Ivory Stacked Brick	696.0 lbs.
VQM50SRA	50" Vent-Free Outdoor Stainless Steel Firebox with Warm Red Stacked Brick	696.0 lbs.

Firebox Dimensions

MODEL #	A	B	C	D	X	Y	Z
36" Premium	36	45	29	26	30	49	54 1/2
42" Premium	42	51	30 1/2	28	30	49	54 1/2
50" Premium	50	59	38 1/2	28	30	49	54 1/2

Note: All measurements are in inches. Dimensions in this catalog are approximate. For accurate dimensions, refer to the installation instructions.



Multi-view Series

Multi-View

The Multi-View Series fireboxes (*See-Thru* & *Peninsula*) offer versatile and creative ways to install a fireplace in your home. Both also include a charcoal textured paint finish, louvers, hoods, fire screens, concrete refractory liners. Simply combine a Vantage Hearth Multi-View gas log set.



Multi-View Series Vent-Free Fireboxes:
See-Thru (shown above), Peninsula (shown left)



Peninsula Firebox in a Vantage
Hearth PM360 Mantel.

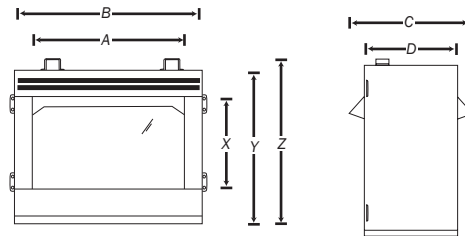
Multi-View Series Vent-Free Fireboxes (See-Thru & Peninsula)		
MODEL #	DESCRIPTION	WEIGHT
<i>Multi-View Series (Not for use with Vantage Hearth Cabinet Mantels & Decorative Doors)</i>		
FBST	See-Thru Louver face "circulating" firebox, refractory brick side & floor panels, hoods, wire mesh fire-screens for two sides & outlet	197.0 lbs.
FBPS	Peninsula Louver face "circulating" firebox, refractory brick side & floor panels, hoods, wire mesh fire-screens for three sides & outlet	203.0 lbs.

Firebox Dimensions

MODEL #	A	B	C	D	X	Y	Z
Peninsula	36 1/2	42 1/2	32	24	20 1/2	36 1/4	40
See-Thru	36 1/2	42 1/2	32	24	20 1/2	36 1/4	40

Note: All measurements are in inches. Dimensions in this catalog are approximate. For accurate dimensions, refer to the installation instructions.

See-Thru & Peninsula Fireboxes



See-Thru Firebox is
Open on Two Sides.

Peninsula Firebox is
Open on Three Sides.

*All Vantage Hearth™ LogMate Fireboxes are approved as Universal Fireboxes and can be paired with any manufacturer's ANSI Z21.11.2 approved vent-free log (physical size limitations apply). Vantage Hearth™ also offers a complete line of vent-free gas hearth products featuring a full line of Vent-Free Gas Logs, Classic Hearth Gas Fireplace Systems, Fireplace Inserts, Cast Iron Gas Stoves, Direct Vent Fireplaces, B-Vent Fireplaces & Wood Burning Fireplaces.

For Vantage Hearth vent-free gas log sets, refer to brochure FA2850.

IMPORTANT

Installation must be done by qualified service persons. Read Owner's Manual before using. Check local codes and ordinances for permitted uses. Vent-free gas products are prohibited for bedroom and bathroom installation in Massachusetts. All products approved for manufactured (mobile) home installation. We reserve the right to amend product specifications without notice. Operating heater at very high elevations could cause nuisance outages.

Use with adequate air (ventilation) only. Humidifies while it heats. Provides water vapor in the area heated. Refer to owner's manual for specifics. Product cannot be converted between fuel types. The only warranty we offer is our standard warranty. Please read the warranty for any limitations or disclaimers. All parts have a limited two year warranty. Stainless Steel burners carry a limited five year warranty. All accessories have a one year warranty.



Look For Us Online:
www.fmiproductions.com