

DRT4200 SERIES

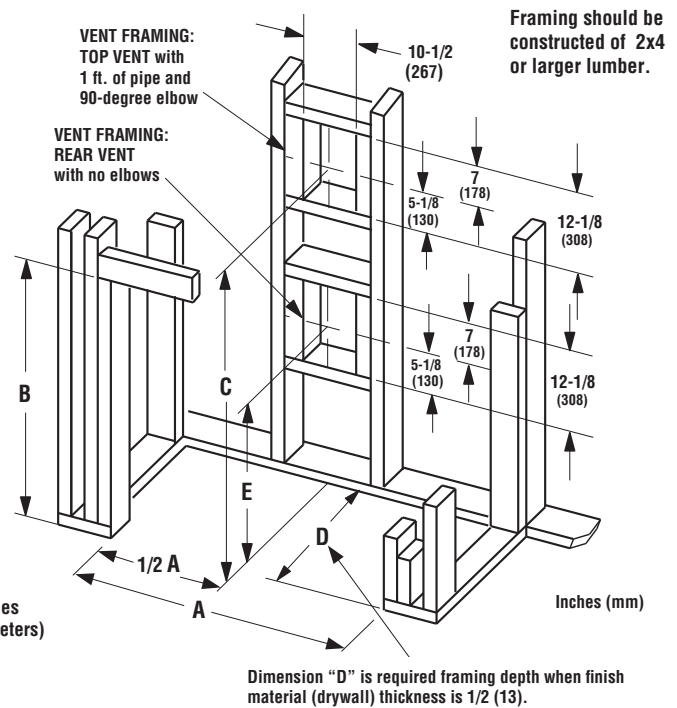
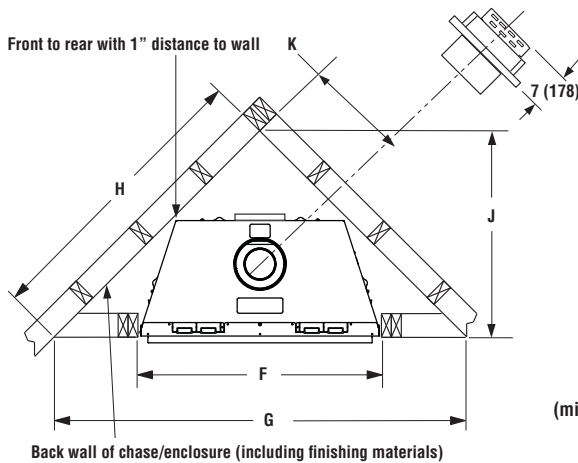
Appliance Specifications

DIRECT-VENT FIREPLACES

Framing Dimensions - Inches (millimeters)						
Model		A	B	C	D	E
40" Models	in.	40-7/8	41-1/4	43-3/4	22	28-1/4
	mm	1039	1048	1111	559	717
45" Models	in.	45-7/8	41-1/4	55-3/4	22	N/A
	mm	1166	1048	1417	559	N/A

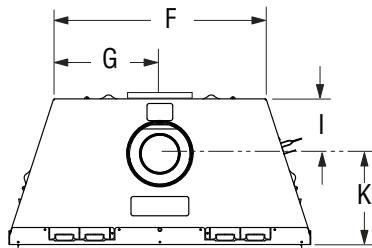
Model No.		F	G	H	J	K
40" Models	in.	40-3/8	78-1/4	45-3/8	40-1/2	15-7/8
	mm	1026	1988	1153	1029	404
45" Models	in.	45-3/8	85-7/8	61	40-1/2	17-1/2
	mm	1153	2182	1550	1029	445

Framing Dimensions

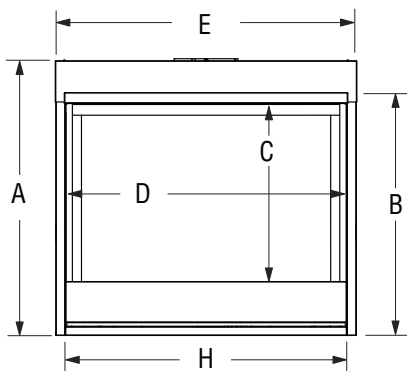


Diagrams, illustrations and photographs are not to scale. Consult installation instructions. Product designs, materials, dimensions, specifications, colors, and prices are subject to change or discontinuance without notice.

Fireplace Dimensions



Top View

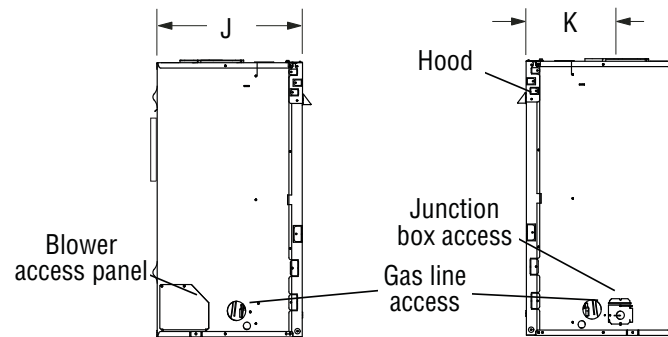


Front View

Model	A	B	C	D (door)	E	F
40" Models	37-1/8 (943)	33-1/4 (845)	27-1/4 (692)	37-3/8 (949)	40-1/4 (1022)	30 (762)
45" Models	37-1/8 (943)	33-1/4 (845)	27-1/4 (692)	42-3/8 (1076)	45-1/4 (1149)	35 (889)

Model	G	H	I	J	K
40" Models	15 (381)	37-7/8 (962)	6-7/8 (175)	21 (534)	12-3/8 (315)
45" Models	17-1/2 (445)	42-7/8 (1089)	6-7/8 (175)	21 (534)	12-3/8 (315)

Inches (millimeters)



Left Side View

Right Side View

DRT4200 SERIES

Product Reference Information

Product Reference Information			
Cat. No.	Model	Ship. Wt.	Ship. Volume
F2650	DRT4240DEN-B	210 lb.	43 cu. ft.
F2651	DRT4240DEP-B		
F2648	DRT4245TEN-B	223 lb.	43 cu. ft.
F2649	DRT4245TEP-B		

Listing Information



Tested to ANSI Z21.88 (in Canada, CSA-2.33) & CAN/CGA-2.17-M91 in both USA and Canada, as vented gas fireplace heaters.

Shelf Height

Model	Top Vent with one 90° Elbow		Alternative Rear Vent applications
	Secure Vent®	Secure Flex® (flex elbow)	Secure Vent®
40"	52" (1321 mm) *	54" (1372 mm) *	46" (1169 mm)**
45"	62-1/2" (1588 mm) *	64-1/2" (1639 mm) *	N/A (top vent only)

* Includes 3" clearance to combustibles (required above vent components)

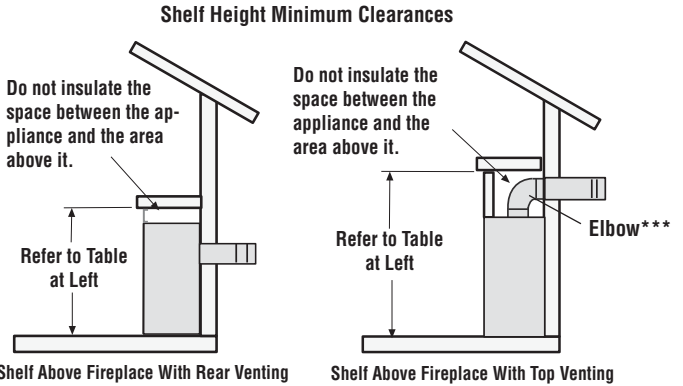
** In alternative, Rear Vent applications, Top Vent will be sealed as detailed in Installation Sequence Step 4 (Page 20 in Installation and Operation Manual).

*** 40" models may connect an elbow directly to the top flue collar. 45" models must use, at a minimum, a 1 foot vertical section before connecting an elbow.

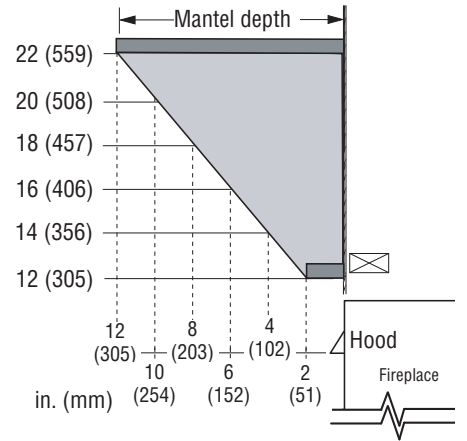
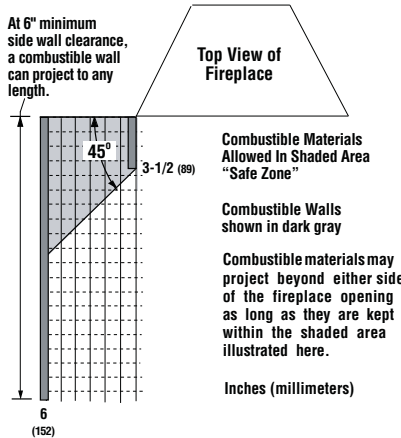
Minimum Clearances ① Inches (millimeters)	
Back	1" (26 mm) to wrapper 0" (0 mm) to Spacers
Sides	1/2" (13 mm) to wrapper 0" (0 mm) to Spacers ②
Top Standoffs	0" (0 mm) to top standoffs
Floor	0 (0)
From Bottom of Unit To Ceiling	64 (1626)
Vent	3 (77) Top ① 1 (26) Sides & Bottom
SERVICE CLEARANCES Feet (meters)	
Front	3 feet (0.9 meters)

① NOTE: 3" (77 mm) above any horizontal/inclined vent component.

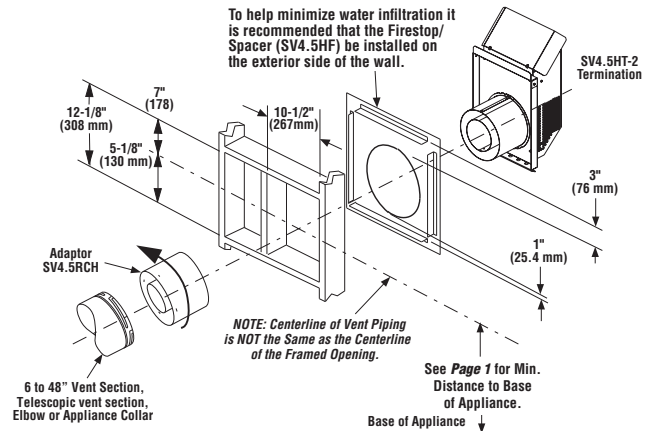
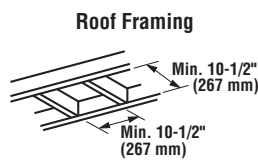
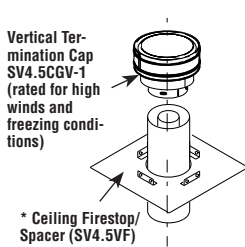
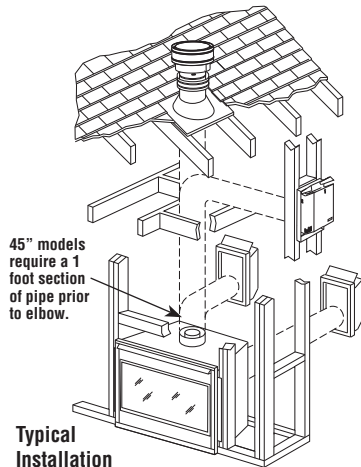
② NOTE: See Installation Instructions Manual (Step 1) for clearance requirements to the nailing flange located at each side of the unit and any screw heads adjacent to it.



Clearances



Venting Requirements



Specifications and clearances are subject to change without notice. Refer to Installation Manual before installation of these appliances for updated dimensions and instructions.