

DRT4000 SERIES

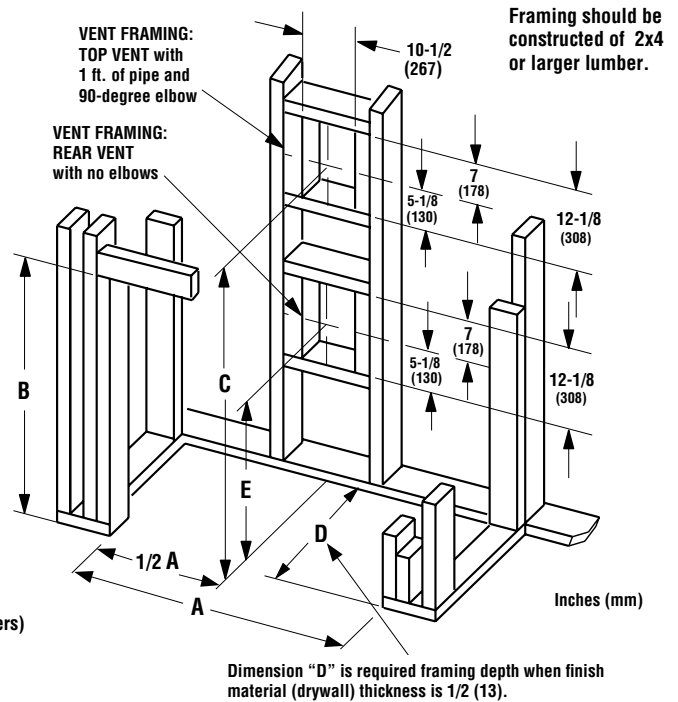
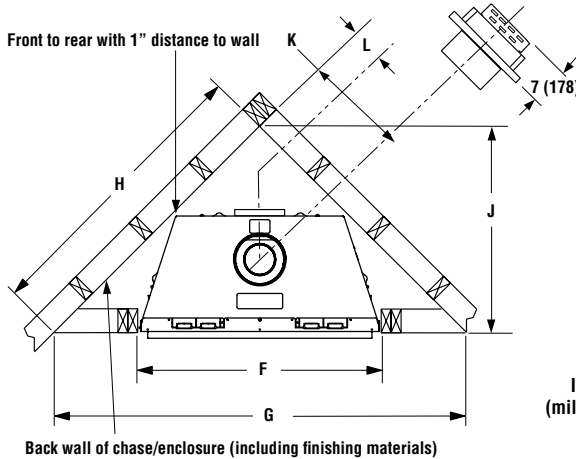
Appliance Specifications

DIRECT-VENT FIREPLACES

Framing Dimensions - Inches (millimeters)						
Model		A	B	C	D	E
40" Models	in.	40-7/8	41-1/4	43-3/4	22	28-1/4
	mm	1039	1048	1111	559	717
45" Models	in.	45-7/8	41-1/4	43-3/4	22	28-1/4
	mm	1166	1048	1111	559	717

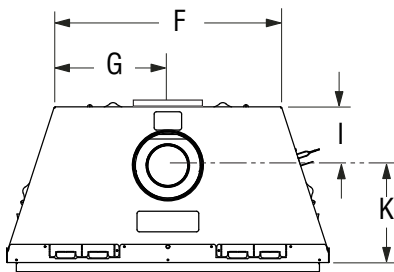
Model No.		F	G	H	J	K
40" Models	in.	40-3/8	78-1/4	55-1/2	40-1/2	15-7/8
	mm	1026	1988	1410	1029	404
45" Models	in.	45-3/8	85-7/8	61	40-1/2	17-1/2
	mm	1153	2182	1550	1029	445

Framing Dimensions

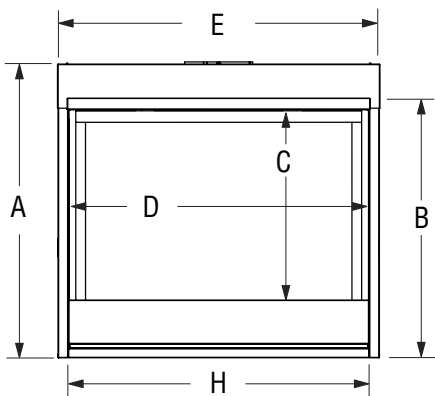


Diagrams, illustrations and photographs are not to scale. Consult installation instructions. Product designs, materials, dimensions, specifications, colors, and prices are subject to change or discontinuance without notice.

Fireplace Dimensions



Top View

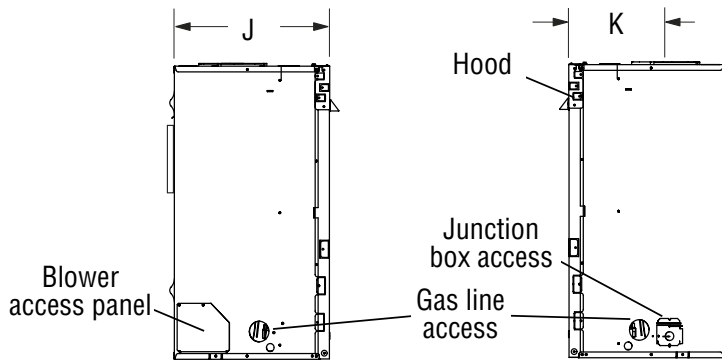


Front View

Model	A	B	C	D (door)	E	F
40" Models	37-1/8 (943)	33-1/4 (845)	27-1/4 (692)	37-3/8 (949)	40-1/4 (1022)	30 (762)
45" Models	37-1/8 (943)	33-1/4 (845)	27-1/4 (692)	42-3/8 (1076)	45-1/4 (1149)	35 (889)

Model	G	H	I	J	K
40" Models	15 (381)	37-7/8 (962)	6-7/8 (175)	21 (534)	12-3/8 (315)
45" Models	17-1/2 (445)	42-7/8 (1089)	6-7/8 (175)	21 (534)	12-3/8 (315)

Inches (millimeters)



Left Side View

Right Side View

DRT4000 SERIES

Product Reference Information

Product Reference Information			
Cat. No.	Model	Ship. Wt.	Ship. Volume
F2636	DRT4040DMN-B	210 lb.	43 cu. ft.
F2637	DRT4040DMP-B		
F2638	DRT4040DEN-B	210 lb.	43 cu. ft.
F2639	DRT4040DEP-B		

Product Reference Information			
Cat. No.	Model	Ship. Wt.	Ship. Volume
F2632	DRT4045DMN-B	223 lb.	43 cu. ft.
F2633	DRT4045DMP-B		
F2634	DRT4045DEN-B	223 lb.	43 cu. ft.
F2635	DRT4045DEP-B		

Listing Information



Tested to ANSI Z21.50 (in Canada, CSA-2.22) & CAN/CGA-2.17-M91 in both USA and Canada, as vented gas fireplace heaters.

Shelf Height

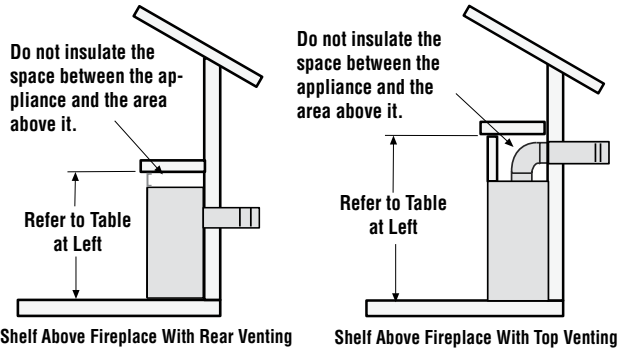
Model	Top Vent with one 90° Elbow		Alternative Rear Vent applications
	Secure Vent®	Secure Flex® (flex elbow)	Secure Vent®
40"	52" (1321 mm) *	54" (1372 mm) *	47" (1194 mm)**
45"	52" (1321 mm) *	54" (1372 mm) *	47" (1194 mm)**

Minimum Clearances ① Inches (millimeters)	
Back	1" (26 mm) to wrapper 0" (0 mm) to Spacers
Sides	1/2" (13 mm) to wrapper 0" (0 mm) to Spacers ②
Top Standoffs	0" (0 mm) to top standoffs
Floor	0 (0)
From Bottom of Unit To Ceiling	64 (1626)
Vent	3 (77) Top ① 1 (26) Sides & Bottom
SERVICE CLEARANCES Feet (meters)	
Front	3 feet (0.9 meters)

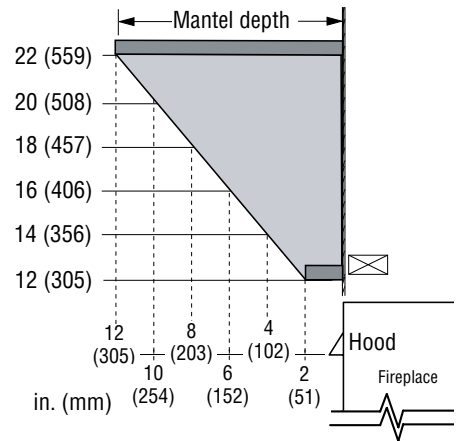
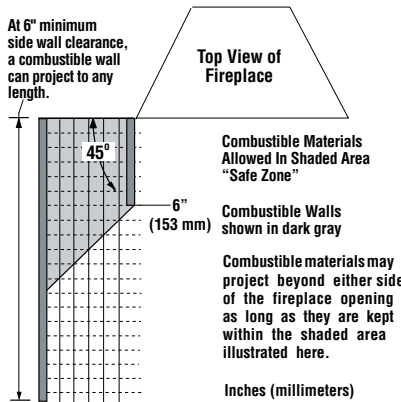
* Includes 3" clearance to combustibles (required above vent components)
In alternative, Rear Vent applications, Top Vent will be sealed as detailed in Installation Sequence Step 4 (Page 19 in Installation and Operation Manual).

** In alternative, Rear Vent applications, Top Vent will be sealed as detailed in Installation Sequence Step 4 (Page 19 in Installation and Operation Manual).

Shelf Height Minimum Clearances



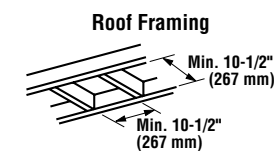
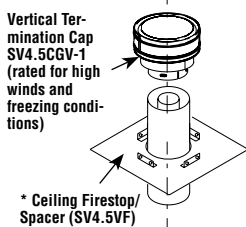
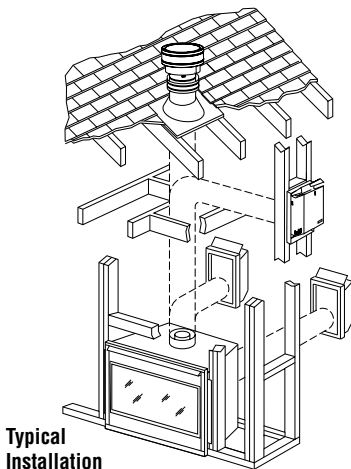
Clearances



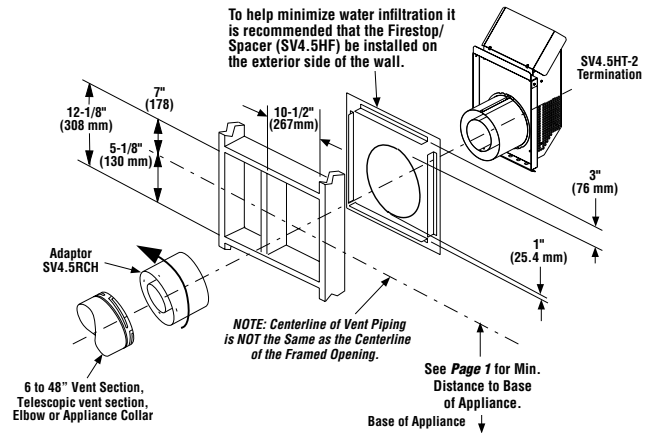
① NOTE: 3" (77 mm) above any horizontal/inclined vent component.

② NOTE: See Installation Instructions Manual (Step 1) for clearance requirements to the nailing flange located at each side of the unit and any screw heads adjacent to it.

Venting Requirements



Uses 4.5" / 7.5" Secure Vent® Rigid and Secure Flex® Direct-Vent Components



To help minimize water infiltration it is recommended that the Firestop/Spacer (SV4.5HF) be installed on the exterior side of the wall.

NOTE: Centerline of Vent Piping is NOT the Same as the Centerline of the Framed Opening.

See Page 1 for Min. Distance to Base of Appliance.