

DRT3500 SERIES

 PRO SERIES DIRECT VENT GAS FIREPLACES

**Superior**<sup>™</sup>  
FIREPLACES  
*Our name is our promise.*

ARTISANALLY CRAFTED  
LOG SET NOW OFFERED IN:  
**CHARRED OAK**

**TRADITIONAL**

The DRT3500 Series is the true representation of customizable value. Equipped with appealing standard features like ceramic glass and blower kit, the DRT3500 Series also has optional accessories for a personal "signature" touch. Versatile. Efficient. Affordable. The DRT3500 Series is value without compromise.



FEATURED DRT3540 fireplace shown with Old Town Red Herringbone Ceramic Fiber Liners and interior illumination feature

## EXCLUSIVE FEATURES

- 🔥 Available in 35", 40" and 45" clean-faced models
- 🔥 Combo top/rear flue configuration for all models
- 🔥 Electronic ignition with seamless battery backup to provide continued operation in the event of a power outage
- 🔥 Outstanding heating efficiency for increased comfort and lower operating costs
- 🔥 Smooth-faced design features ceramic glass for optimum heat transfer
- 🔥 Ceramic glass for optimum heat transfer and a protective screen\*
- 🔥 Detailed ceramic fiber Charred Oak log set with 1/2" heavy duty grate
- 🔥 Durable textured powder coat finish
- 🔥 Factory installed blower with six speed settings to fine tune your heating needs
- 🔥 Interior selections (required) consist of black reflective porcelain or a variety of ceramic fiber liners
- 🔥 Mood enhancing interior illumination, with six distinctive settings
- 🔥 Multi-function touch remote control (thermostat, flame, blower, lighting, IPI/CPI)
- 🔥 20-year limited warranty

\*All applicable models comply with ANSI Z21.50/88 barrier requirements.



**FEATURED** DRT3540, now with Charred Oak Ceramic Fiber Log Set and Buff Stacked Ceramic Fiber Liners

## INTERIOR

**(One required)**

Choose from four distinctive liners to complement your décor.



Porcelain Liner Kit (Black)



Buff Stacked



Vintage Red Stacked

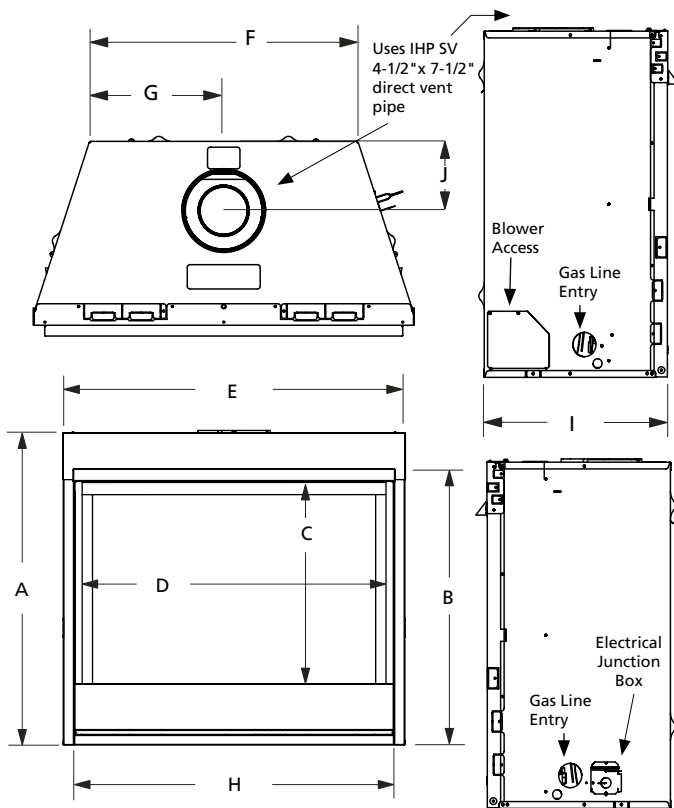


Old Town Red Herringbone



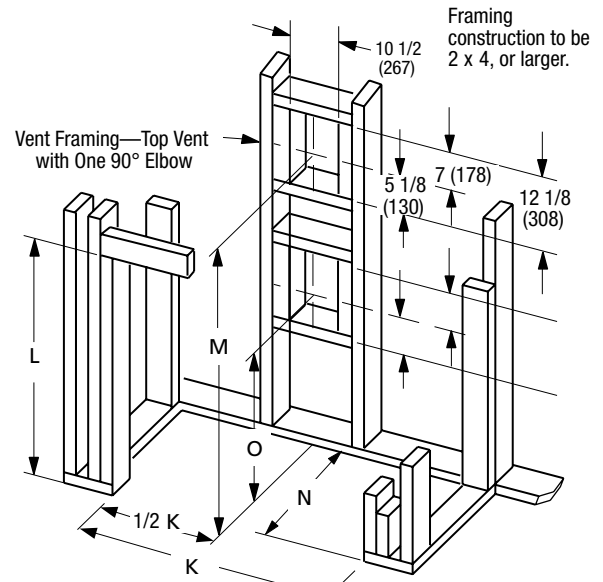
Included multi-function touch remote

## APPLIANCE SPECIFICATIONS



	DRT3535	DRT3540	DRT3545
A	32-1/8"	37-1/8"	37-1/8"
B	28-3/4"	33-1/4"	33-1/4"
C	22-1/4"	27-1/4"	27-1/4"
D	32-3/8"	37-3/8"	42-3/8"
E	35-1/4"	40-1/4"	45-1/4"
F	25"	30"	35"
G	12-1/2"	15"	17-1/2"
H	32-7/8"	37-7/8"	42-7/8"
I	17"	17"	17"
J	6-7/8"	6-7/8"	6-7/8"

## FLAT WALL FRAMING SPECIFICATIONS



	DRT3535	DRT3540	DRT3545
K	35-3/8"	40-3/8"	45-3/8"
L	36-1/4"*	41-1/4"*	41-1/4"*
M	38-3/4"	43-3/4"	43-3/4"
N	18"	18"	18"
O	23-3/8"	28-1/4"	28-1/4"

\* Includes 4" for fold-up standoffs

## FIREPLACE EFFICIENCIES

MODEL	FUEL	BTU/HR	AFUE**	P4 / ENERGIDE*
DRT3535	NG	20,000	66%	64.0%
DRT3535	LP	19,000	66%	64.0%
DRT3540	NG	24,000	66%	64.0%
DRT3540	LP	22,000	66%	64.0%
DRT3545	NG	28,000	67%	65.0%
DRT3545	LP	26,000	67%	65.0%

\*Intermittent ignition systems.

\*\*Annual Fuel Utilization Efficiency (AFUE) is the recognized U.S. rating system for the total efficiency of heating products.

**On the Cover:** DRT3540 shown with Charred Oak Logs and Buff Stacked Liner

### IMPORTANT NOTES:

As with any fireplace, this appliance is extremely hot during operation. Read and understand all operating instructions before using this appliance. For further information, consult your dealer.

Local conditions, such as elevation, wind, vent configuration and choice of fuel will affect overall appearance of the fire and heating performance. Performance can also vary with home design and insulation, climate, condition and type of fuel used, appliance location, burn rate, accessories chosen, chimney installation and how the appliance is operated.

Diagrams, illustrations and photographs are not to scale—consult installation instructions. Product designs, materials, dimensions, specifications, colors and prices are subject to change or discontinuance without notice.



Approved for use with European Copper and Chimney Classics chimney tops, which improve performance and add an elegant touch.



© 2016 Innovative Hearth Products

785684M 10/16

Visit us online



SuperiorFireplaces.us.com

