



Exceeding Expectations  
by Design

# Wood Burning Fireplaces

Indoor / Outdoor



Premium  
Traditional Series



Outdoor setting courtesy of "BELGARD's Bristol Elements Collection by Harmony Outdoor Living"



Standard  
Traditional Series



Performance  
Traditional Series



Premium  
Luxury Series



Multi-View  
Series

# Wood Burning Fireplaces

# Wood Burning

NOTHING LOOKS, SMELLS OR SOUNDS LIKE A REAL WOOD BURNING FIREPLACE!

A wood burning fireplace from Vantage Hearth is a handsome addition to any home. Fireplaces are available in a variety of styles and sizes adding resale, emergency, and aesthetic value to your home.



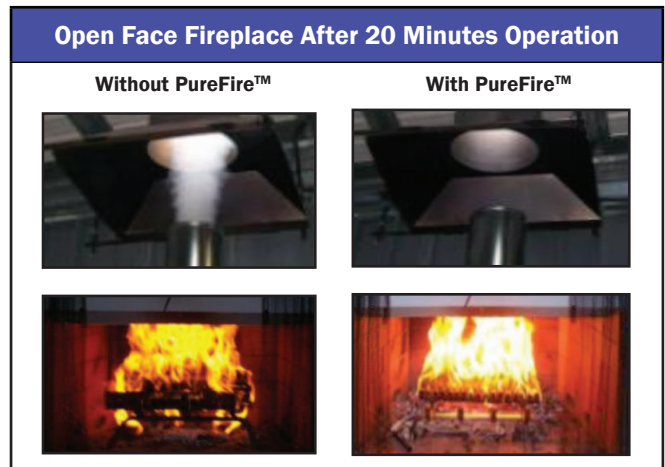
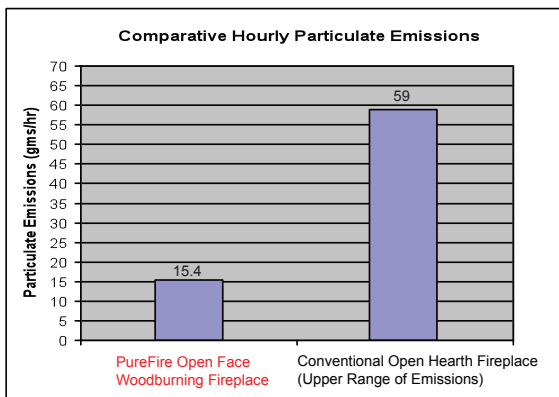
With a Vantage Hearth wood burning firebox you get the best of both worlds - your family can enjoy it with real wood or combine with a gas log set to keep the look of a traditional wood burning fireplace without the mess. A Vantage Hearth vented gas log set also available in a variety of styles gives you that real wood fire look. For maximum efficiency close the damper and add a Vantage Hearth vent-free gas log set (and fireplace hood). At 99.9% fuel efficiency you'll get both warmth and savings.

Vantage Hearth Wood Burning Fireplaces are offered in Indoor and Outdoor models. Models are available in non circulating "smooth face" with select models that circulate. When combined with an optional blower, the circulating model provides additional warmth. The smooth face style allows you to bring finishing products like brick, stone or tile flush with the opening for the look of a masonry fireplace at a more economical price. Refractory brick liners are standard on all models. Herringbone liners are optional on select models. Full insulation is also available on select models to keep cold air out and warm air in. To make installation easier we've added a full length framing flange and drywall stops.



## PureFire™ Technology Reduces Particulates by Approximately 75%

Select Vantage Hearth wood burning fireplaces include PureFire™ Technology. PureFire™ is a passive system. Burn a fire the same way you always have. No moving parts and no special requirement. A PureFire™ fire- place reduces current particulate emissions by approximately 75% and virtually eliminates carbon monoxide (including CO from gas logs). A fireplace with PureFire™ Technology cost thousands less than other fireplaces meeting the same standards, and are only a few hundred more than a non-EPA qualified wood fireplace.



### ACCESSORIES TO COMPLETE THE LOOK!

Customize your Vantage Hearth Value or Performance Line Wood Burning Fireplace with a variety of optional doors, blowers, perimeter trims and outside air kits. The Performance models can be paired with beautiful rolled louvers in black finish. Filigree and louver trim are also available.

The perimeter trim, glass doors, louver trim and filigree are offered in three finishes: brushed brass, platinum and black. The bi-fold glass doors are easy to install and operate. They offer a beautiful view of the fire while reducing heat loss. An optional triple fan or variable speed deluxe blower can be added to louvered/circulating models to increase the air flow and maximize heat distribution. See pages 12-16 for more details.



Bi-Fold Glass Doors

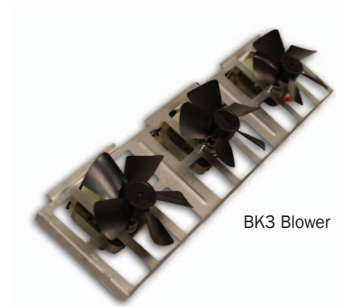
Platinum



Brushed Brass



Black



BK3 Blower



Optional Sienna  
Screen Doors in Aged Copper



Optional Black Perimeter Trim,  
Smooth Face Panel & Glass Doors



Optional Platinum Perimeter Trim,  
Glass Doors & Black Filigree



Optional Platinum Perimeter  
Trim, Filigree & Glass Doors



Optional Valencia  
Screen Doors in Antique White



Vantage Hearth's Vent-Free Blaze n' Glow Logs feature a ramp burner for unsurpassed glow surrounded by random dancing yellow flames.



Vantage Hearth's vented gas logs take beauty and flexibility to a new level. Log sets and burner systems are sold separately, so you can create the look and control system you desire.



## Traditional Series

### Standard

Vantage Hearth's Standard series fireplaces offer a beautiful, traditional fireplace setting at an attractive price. Fireplaces range in size from 36 inches up to 42 inches so you can select the fireplace that best suits your home. Both louvered (circulating) and smooth face (non-circulating) styles are available, as well as, the option for full insulation. Uses 8" wood burning pipe system.

### Performance

The Performance series fireplaces offer a beautiful, traditional fireplace setting at an attractive price. Fireplaces range in size from 36 inches up to 42 inches so you can select the fireplace that best suits your home. Both louvered (circulating) and smooth face (non-circulating) styles are available, as well as, the option for full insulation. Uses 8" wood burning pipe system.

### PureFire™ technology included on select models.



\*PureFire™ catalyzes all organic compound (PM and CO)

\*Allows cool ambient air to bypass catalyst



### Premium

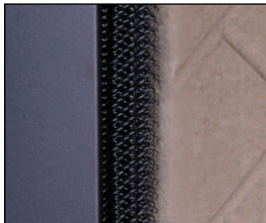
Fully loaded and truly impressive, Vantage Hearth's Premium is the flagship product, and sets tough new standards for any wood burning fireplace. The innovative Premium captures all the latest visual and functional technologies, features and conveniences available. Premium models are available in sizes up to 50 inches, all include full insulation and feature beautiful cast iron grate treatments & andirons. Uses 12" wood burning pipe system.

# Fireplaces

## Indoor Wood Burning Fireplaces



Performance  
Indoor Fireplace



Hidden screen pockets  
maximize viewing area.

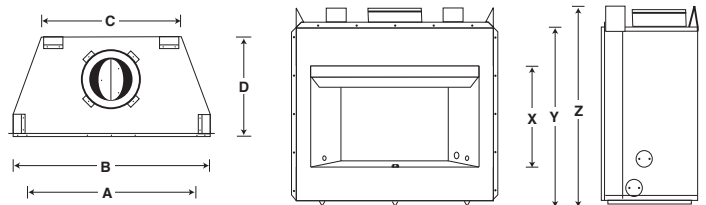
### Traditional Series Indoor Wood Burning Fireplaces (Standard, Performance & Premium)

MODEL #	DESCRIPTION	WEIGHT
<b>Standard (Uses 8" Pipe System)</b>		
VB36L	36" Non-Circulating Smooth Face Wood Burning Fireplace	150.0 lbs.
VB36L1	36" Non-Circulating Smooth Face Wood Burning Fireplace with Full Insulation	150.0 lbs.
VB36L1	36" Circulating Wood Burning Fireplace with Stamped Louvers	150.0 lbs.
VB36L11	36" Circulating Wood Burning Fireplace with Stamped Louvers and Full Insulation	150.0 lbs.
VB42L	42" Non-Circulating Smooth Face Wood Burning Fireplace	180.0 lbs.
VB42L1	42" Non-Circulating Smooth Face wood Burning Fireplace with Full Insulation	180.0 lbs.
VB42L1	42" Circulating Wood Burning Fireplace with Stamped Louvers	180.0 lbs.
VB42L11	42" Circulating Wood Burning Fireplace with Stamped Louvers and Full Insulation	180.0 lbs.
<b>Performance (Uses 8" Pipe System)</b>		
VC36L	36" Non-Circulating Smooth Face Wood Burning Fireplace, Standard Brick Liner	184.0 lbs.
VC36L1	36" Non-Circulating Smooth Face Wood Burning Fireplace, Standard Brick Liner with Full Insulation	184.0 lbs.
VC36H1	36" Non-Circulating Smooth Face Wood Burning Fireplace, Herringbone Brick Liner with Full Insulation	184.0 lbs.
VC36L1	36" Circulating Wood Burning Fireplace, Standard Brick Liner	184.0 lbs.
VC36L11	36" Circulating Wood Burning Fireplace, Standard Brick Liner with Full Insulation	184.0 lbs.
VC36LH1	36" Circulating Wood Burning Fireplace, Herringbone Brick Liner with Full Insulation	184.0 lbs.
VC42L	42" Non-Circulating Smooth Face Wood Burning Fireplace, Standard Brick Liner	224.0 lbs.
VC42L1	42" Non-Circulating Smooth Face Wood Burning Fireplace, Standard Brick Liner with Full Insulation	224.0 lbs.
VC42H1	42" Non-Circulating Smooth Face Wood Burning Fireplace, Herringbone Brick Liner with Full Insulation	224.0 lbs.
VC42L1	42" Circulating Wood Burning Fireplace, Standard Brick Liner	224.0 lbs.
VC42L11	42" Circulating Wood Burning Fireplace, Standard Brick Liner with Full Insulation	224.0 lbs.
VC42LH1	42" Circulating Wood Burning Fireplace, Herringbone Brick Liner with Full Insulation	224.0 lbs.
<b>Performance PureFire (Uses 8" Pipe System)</b>		
VCCAT36	36" Non-Circulating Smooth Face Wood Burning Fireplace, Standard Brick Liner	184.0 lbs.
VCCAT36L	36" Non-Circulating Smooth Face Wood Burning Fireplace, Standard Brick Liner with Full Insulation	184.0 lbs.
VCCAT36H	36" Non-Circulating Smooth Face Wood Burning Fireplace, Herringbone Brick Liner with Full Insulation	184.0 lbs.
VCCAT36L	36" Circulating Wood Burning Fireplace, Standard Brick Liner	184.0 lbs.
VCCAT36L1	36" Circulating Wood Burning Fireplace, Standard Brick Liner with Full Insulation	184.0 lbs.
VCCAT36LH	36" Circulating Wood Burning Fireplace, Herringbone Brick Liner with Full Insulation	184.0 lbs.
<b>Premium (Uses 12" Pipe System)</b>		
VG36A	36" Non-Circulating Smooth Face Wood Burning Fireplace, Standard Brick Liner with Full Insulation	450.0 lbs.
VG36HA	36" Non-Circulating Smooth Face Wood Burning Fireplace, Herringbone Brick Liner with Full Insulation	450.0 lbs.
VG42A	42" Non-Circulating Smooth Face Wood Burning Fireplace, Standard Brick Liner with Full Insulation	600.0 lbs.
VG42HA	42" Non-Circulating Smooth Face Wood Burning Fireplace, Herringbone Brick Liner with Full Insulation	600.0 lbs.
VG50A	50" Non-Circulating Smooth Face Wood Burning Fireplace, Standard Brick Liner with Full Insulation	630.0 lbs.
VG50HA	50" Non-Circulating Smooth Face Wood Burning Fireplace, Herringbone Brick Liner with Full Insulation	630.0 lbs.

See pages 14 - 16 for pipe and accessories.

### Fireplace Dimensions

MODEL #	A	B	C	D	X	Y	Z
VB36	36	38	22 5/8	21 1/8	21 3/8	33 1/2	37 1/2
VB42	42	44	28 1/2	21 1/8	21 3/8	33 1/2	37 1/2
VC36	35	41	29	21 1/8	21	36	40 1/4
VC42	42	48	36	23	24	40	44 1/4
VG36	36	45	29 1/8	26 1/2	30	49	66 1/4
VG42	42	51	30 1/2	29	30	49	67
VG50	50	59	38 1/2	29	30	49	67



Note: All measurements are in inches. Dimensions on this catalog are approximate. For accurate dimensions, refer to the installation instructions.



**Laredo Performance:** (VS36 and VS42) include natural white or warm red brick panels in traditional “stacked” or herringbone style.

## THE ULTIMATE COMPLIMENT TO ANY OUTDOOR ROOM

America is moving outdoors and Vantage Hearth’s Outdoor Wood Burning fireplaces are the perfect complement to any modern outdoor room. The stainless steel construction offers weather resistance for outdoor applications.

## Traditional Series

### Laredo Performance

#### Product Features

- Firebox sizes: 36" & 42"
- Tested and listed to tough UL design standards
- Choice of *stacked* or *herringbone* brick patterns
- Choice of natural white or warm red brick colors
- Stainless steel face, mesh spark screens & grate
- Uses 8" wood burning pipe system
- Gas line knock-out for installing Vantage Hearth gas logs

### Premium

#### Product Features

- Firebox sizes: 36", 42", & 50"
- Tested and listed to tough UL design standards
- Choice of *stacked* or *herringbone* brick patterns
- Natural white refractory brick panels
- Full Insulation for better heat absorption
- Stainless steel face, mesh spark screens & grate
- Uses 12" wood burning pipe system
- Gas line knock-out for installing Vantage Hearth gas logs



**Premium:** (VJ36, VJ42 & VJ50) include natural white brick panels in traditional “stacked” or herringbone style.

Outdoor setting courtesy of “BELGARD’s Bristol Elements Collection by Harmony Outdoor Living”

# Fireplaces Outdoor Wood Burning Fireplaces



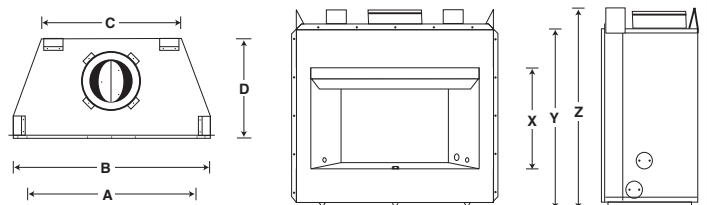
Laredo Performance

Traditional Series Outdoor Wood Burning Fireplaces (Laredo Performance & Premium)		
MODEL #	DESCRIPTION	WEIGHT
<b>Laredo Performance (Uses 8" Pipe System)</b>		<b>UL127</b>
VS36	36" Outdoor Wood Burning Fireplace, Natural White Stacked Brick Liner	184.0 lbs.
VS36H	36" Outdoor Wood Burning Fireplace, Natural White Herringbone Brick Liner	184.0 lbs.
VS36R	36" Outdoor Wood Burning Fireplace, Warm Red Stacked Brick Liner	184.0 lbs.
VS36RH	36" Outdoor Wood Burning Fireplace, Warm Red Herringbone Brick Liner	184.0 lbs.
VS42	42" Outdoor Wood Burning Fireplace, Natural White Stacked Brick Liner	224.0 lbs.
VS42H	42" Outdoor Wood Burning Fireplace, Natural White Herringbone Brick Liner	224.0 lbs.
VS42R	42" Outdoor Wood Burning Fireplace, Warm Red Stacked Brick Liner	224.0 lbs.
VS42RH	42" Outdoor Wood Burning Fireplace, Warm Red Herringbone Brick Liner	224.0 lbs.
<b>Oracle Premium (Uses 12" Pipe System)</b>		<b>UL127</b>
VJ36H	36" Outdoor Wood Burning Fireplace, Natural White Herringbone Brick Liner with Full Insulation	520.0 lbs.
VJ36S	36" Outdoor Wood Burning Fireplace, Natural White Stacked Brick Liner with Full Insulation	520.0 lbs.
VJ42H	42" Outdoor Wood Burning Fireplace, Natural White Herringbone Brick Liner with Full Insulation	572.0 lbs.
VJ42S	42" Outdoor Wood Burning Fireplace, Natural White Stacked Brick Liner with Full Insulation	572.0 lbs.
VJ50H	50" Outdoor Wood Burning Fireplace, Natural White Herringbone Brick Liner with Full Insulation	660.0 lbs.
VJ50S	50" Outdoor Wood Burning Fireplace, Natural White Stacked Brick Liner with Full Insulation	660.0 lbs.

See pages 14 - 16 for pipe and accessories.

## Fireplace Dimensions

MODEL #	A	B	C	D	X	Y	Z
VS36	35	41	29	21	21	37	41 1/4
VS42	42	48	36	23	24	41	45 1/4
VJ36	36	45	29 1/8	26 1/2	30	49	66 1/4
VJ42	42	51	30 1/2	29	30	49	67
VJ50	50	59	38 1/2	29	30	49	67



Note: All measurements are in inches. Dimensions on this catalog are approximate. For accurate dimensions, refer to the installation instructions.

## *Luxury Series*

Vantage Hearth's Mosaic Masonry™ technology is a dramatic development that will change the way you think about the fireplace. This technology combines traditional appearance and traditional materials with modern assembly techniques to create a fireplace that is unparalleled in its beauty and value.

Two trends related to today's homes make our patent-pending Mosaic Masonry™ technology significant. First, homeowners want distinctive, high quality products in their home. Surveys of top home builders and buyers alike confirm that homeowners are paying more attention to the details in their homes, and are looking for choices and selections to make their homes more attractive, more distinctive, more valuable. Secondly, people also want convenience. We all want home products that are easy to install, and are easy to operate. The Mosaic Masonry™ technology does both these things.

There are two types of fireplaces on the market today: One, a masonry fireplace, is built brick-by-brick by a skilled mason. These are the oldest fireplaces, and considered the aesthetic standard for all fireplaces. The second type of fireplace is a prefabricated fireplace, with factory-built components that are available at a fraction of the cost of a regular masonry fireplace. These fireplaces are tested and certified to established safety standards, and are available in both gas and wood burning models.

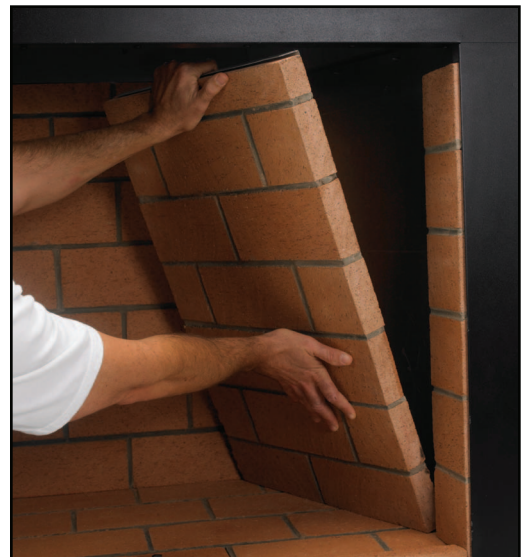
The Mosaic Masonry™ technology uniquely combines that quality appearance of a masonry fireplace with the installation convenience and more reasonable cost of a factory-built fireplace.



Mosaic Masonry™  
Indoor Wood Burning Fireplaces include handsome, hand-finished solid steel log grates with cast iron grate andirons.



Mosaic Masonry™ made simple. All new engineered firebrick walls are hand grouted in the factory for ease of installation.



Pre-engineered firebrick wall system features steel reinforced, factory-built and grouted masonry walls that easily slip into place and securely fasten to the steel fireplace chassis.



All Mosaic Masonry™ fireplaces come with either Ivory or Red brick in stacked or herringbone patterns.



## Winston Premium Masorny Indoor

### Product Features

- Real firebrick lining for utmost beauty and durability
- Winston Premium Indoor Series: 36", 42", 50"
- Tested and listed to tough UL design standards
- Choice of *stacked* or *herringbone* brick patterns
- Choice of ivory or warm red brick colors
- 30" opening and clean face design
- Gas line knock-out for installing gas logs or log lighter



Winston Premium: This Mosaic Masonry™ Wood Burning Fireplace has been constructed and equipped with red herringbone brick.



Monticello Rumford Premium: 48" wide and has a tall 42" opening. The hearth is only 1 1/2" above the ground for a flush floor finish. The Rumford Premium uses a smaller brick "splits" in its Mosaic Masonry™ in a custom herringbone pattern for an even richer look.

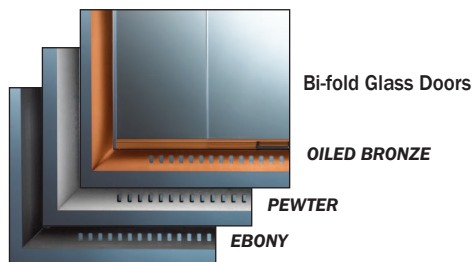
## Monticello Rumford Premium Masonry Indoor

### Product Features

- Real firebrick lining for utmost beauty and durability
- Monticello Rumford Premium Indoor Series: 48"
- Tested and listed to tough UL design standards
- *Herringbone* split brick pattern in warm red
- 42" opening and clean face design
- Gas line knock-out for installing gas logs or log lighter

## Accessories

The Mosaic Masonry technology can be applied to other uses as well. Vantage Hearth offers a complementary *Wood Nook* for storing firewood. The *Wood Nook* uses the same metal housing and firebrick as our fireplaces. There are two styles of *Wood Nooks* available.



Round Top Wood Nook



Under Hearth Wood Nook



## Luxury Series

### Oracle Premium Masonry Outdoor

#### Product Features

- Real firebrick lining for utmost beauty and durability
- Oracle Premium Masonry Outdoor Series: 36", 42", 50"
- Tested and listed to tough UL design standards
- Choice of stacked or herringbone brick patterns
- Choice of ivory or warm red brick colors
- Oracle Series: 30" opening and clean face design
- Specially designed stainless steel models for outdoor applications
- Gas line knock-out for installing gas logs or log lighter



50" Oracle Premium Masonry Outdoor  
Woodburning Fireplace with Ivory Full Stacked Brick



Oracle Premium: This Mosaic Masonry™ Wood Burning Fireplace has been constructed and equipped with stainless steel components for outdoor applications.



# Fireplaces

## Indoor / Outdoor Wood Burning Fireplaces



Winston  
Premium Masonry Fireplace  
with Warm Red Herringbone Brick



Monticello  
Rumford Premium Masonry Fireplace  
with Warm Red Herringbone Split Brick



Oracle  
Premium Masonry Outdoor  
Fireplace with Ivory Stacked Brick

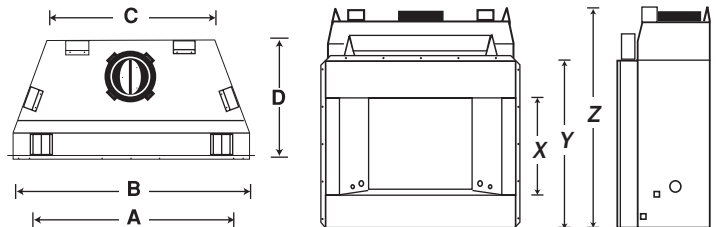
### Luxury Series Indoor / Outdoor Wood Burning Fireplaces (Premium Masonry)

MODEL #	DESCRIPTION	WEIGHT
<b>Winston Premium Masonry Indoor Fireplaces (Uses 12" Pipe System)</b>		<b>UL127</b>
VGM36HIA	36" Wood Burning Indoor Fireplace with Ivory Herringbone Brick	520.0 lbs.
VGM36HRA	36" Wood Burning Indoor Fireplace with Red Herringbone Brick	520.0 lbs.
VGM36SIA	36" Wood Burning Indoor Fireplace with Ivory Stacked Brick	520.0 lbs.
VGM36SRA	36" Wood Burning Indoor Fireplace with Red Stacked Brick	520.0 lbs.
VGM42HIA	42" Wood Burning Indoor Fireplace with Ivory Herringbone Brick	572.0 lbs.
VGM42HRA	42" Wood Burning Indoor Fireplace with Red Herringbone Brick	572.0 lbs.
VGM42SIA	42" Wood Burning Indoor Fireplace with Ivory Stacked Brick	572.0 lbs.
VGM42SRA	42" Wood Burning Indoor Fireplace with Red Stacked Brick	572.0 lbs.
VGM50HIA	50" Wood Burning Indoor Fireplace with Ivory Herringbone Brick	660.0 lbs.
VGM50HRA	50" Wood Burning Indoor Fireplace with Red Herringbone Brick	660.0 lbs.
VGM50SIA	50" Wood Burning Indoor Fireplace with Ivory Stacked Brick	660.0 lbs.
VGM50SRA	50" Wood Burning Indoor Fireplace with Red Stacked Brick	660.0 lbs.
<b>Winston Premium PureFire Masonry Indoor Fireplaces (Uses 8" Pipe System)</b>		<b>UL127</b>
VGMCAT50HIA	50" PureFire Wood Burning Indoor Fireplace with Ivory Herringbone Brick	660.0 lbs.
VGMCAT50HRA	50" PureFire Wood Burning Indoor Fireplace with Red Herringbone Brick	660.0 lbs.
VGMCAT50SIA	50" PureFire Wood Burning Indoor Fireplace with Ivory Stacked Brick	660.0 lbs.
VGMCAT50SRA	50" PureFire Wood Burning Indoor Fireplace with Red Stacked Brick	660.0 lbs.
<b>Monticello Rumford Premium Masonry Indoor Fireplaces (Uses 12" Pipe System)</b>		<b>UL127</b>
VF48HIA	48" Wood Burning Indoor Fireplace with Ivory Split Herringbone Brick	940.0 lbs.
VF48HRA	48" Wood Burning Indoor Fireplace with Red Split Herringbone Brick	940.0 lbs.
<b>Oracle Premium Masonry Indoor Fireplaces (Uses 12" Pipe System)</b>		<b>UL127</b>
VJM36HIA	36" Wood Burning Outdoor Masonry Fireplace with Ivory Herringbone Brick	520.0 lbs.
VJM36HRA	36" Wood Burning Outdoor Masonry Fireplace with Red Herringbone Brick	520.0 lbs.
VJM36SIA	36" Wood Burning Outdoor Masonry Fireplace with Ivory Stacked Brick	520.0 lbs.
VJM36SRA	36" Wood Burning Outdoor Masonry Fireplace with Red Stacked Brick	520.0 lbs.
VJM42HIA	42" Wood Burning Outdoor Masonry Fireplace with Ivory Herringbone Brick	572.0 lbs.
VJM42HRA	42" Wood Burning Outdoor Masonry Fireplace with Red Herringbone Brick	572.0 lbs.
VJM42SIA	42" Wood Burning Outdoor Masonry Fireplace with Ivory Stacked Brick	572.0 lbs.
VJM42SRA	42" Wood Burning Outdoor Masonry Fireplace with Red Stacked Brick	572.0 lbs.
VJM50HIA	50" Wood Burning Outdoor Masonry Fireplace with Ivory Herringbone Brick	660.0 lbs.
VJM50HRA	50" Wood Burning Outdoor Masonry Fireplace with Red Herringbone Brick	660.0 lbs.
VJM50SIA	50" Wood Burning Outdoor Masonry Fireplace with Ivory Stacked Brick	660.0 lbs.
VJM50SRA	50" Wood Burning Outdoor Masonry Fireplace with Red Stacked Brick	660.0 lbs.

Outdoor models include stainless steel facing and stainless steel grate. See pages 14 - 16 for pipe and accessories.

### Fireplace Dimensions

MODEL #	A	B	C	D	X	Y	Z
VGM36/VJM36	36	45	29 1/8	26 1/2	30	49	66 1/4
VGM42/VJM42	42	51	30 1/2	29	30	49	67
VGM50/VJM50	50	59	38 1/2	29	30	49	67
VF48H	48	60 5/8	42 1/4	30	42	65 3/4	71 1/2



### Wood Nook Dimensions

MODEL #	A	B	C	D	X	Y	Z
DHR-24	24 7/8	30 1/8	30 1/8	28 7/8	29	33	34
DHS-36	36	45	45	26 7/8	13 3/8	16 1/2	16 1/2
DHS-42	42	51	51	26 7/8	13 3/8	16 1/2	16 1/2
DHS-50	50	59	59	26 7/8	13 3/8	16 1/2	16 1/2

Note: All measurements are in inches. Dimensions on this catalog are approximate. For accurate dimensions, refer to the installation instructions.

ICC-ES Evaluation Report

# ESR-2542



See-Thru Fireplace



Corner Fireplace



Peninsula Fireplace

## *Multi-view Series*

Multi-view fireboxes are available in See-Thru, Peninsula and Corner models. The See-Thru model allows you to enjoy the beauty of the same fireplace from two rooms. This unit is ideal for either new construction or an addition to an existing wall. The Peninsula Fireplace is a perfect match for a custom home or office. This model is equally beautiful when viewed from any of the three open sides. Vantage Hearth's Corner Fireplace is the perfect space saver model. These units, available in both left and right facing fireplaces, will blend into any open cornered wall or can be incorporated into room dividers. These unique designs offer a full 180° fireplace viewing area. All models can be customized with glass door kits and outside air kits.

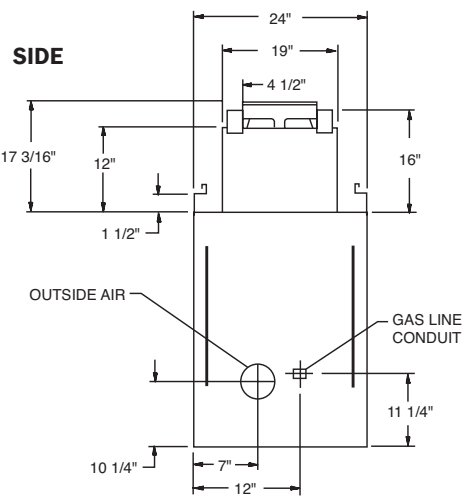
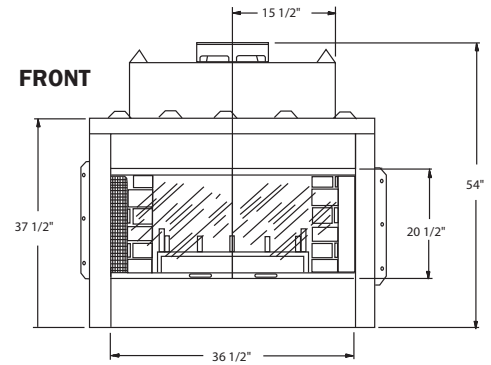
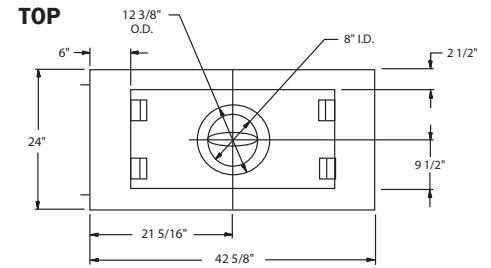
# Fireplaces Multi-View Wood Burning Fireplaces

## Multi-View Series Indoor Wood Burning Fireplaces

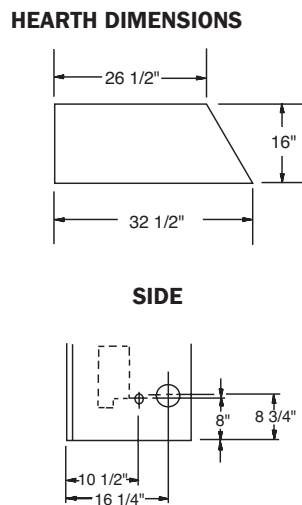
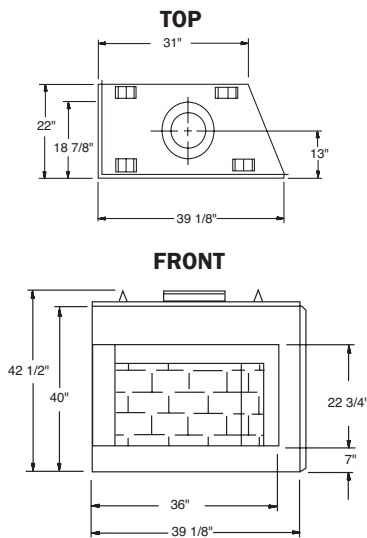
MODEL #	DESCRIPTION	WEIGHT
<b>Peninsula (Uses 1.2" Pipe System)</b>		
VPN36-A	36" Non-Circulating Smooth Face, Three Sides Open Firebox	276.0 lbs.
<b>See-Thru (*Uses 8" Pipe System *Uses 1.2" Pipe System)</b>		
V368ST*	36" Non-Circulating Smooth Face See-Thru Firebox	225.0 lbs.
V1368ST*	36" Non-Circulating Smooth Face See-Thru Firebox with Full Insulation	225.0 lbs.
V3612ST*	36" Non-Circulating Smooth Face See-Thru Firebox	225.0 lbs.
<b>Corner (Uses 8" Pipe System)</b>		
V36RS	36" Non-Circulating Smooth Face, Right Side Open Firebox	192.0 lbs.
V136RS	36" Non-Circulating Smooth Face, Right Side Open Firebox with Full Insulation	192.0 lbs.
V36LS	36" Non-Circulating Smooth Face, Left Side Open Firebox	192.0 lbs.
V136LS	36" Non-Circulating Smooth Face, Left Side Open Firebox with Full Insulation	192.0 lbs.
V36R	36" Louvered Face Circulating, Right Side Open Firebox	192.0 lbs.
V136R	36" Louvered Face Circulating, Right Side Open Firebox with Full Insulation	192.0 lbs.
V36L	36" Louvered Face Circulating, Left Side Open Firebox	192.0 lbs.
V136L	36" Louvered Face Circulating, Left Side Open Firebox with Full Insulation	192.0 lbs.

See pages 14 - 16 for pipe and accessories.

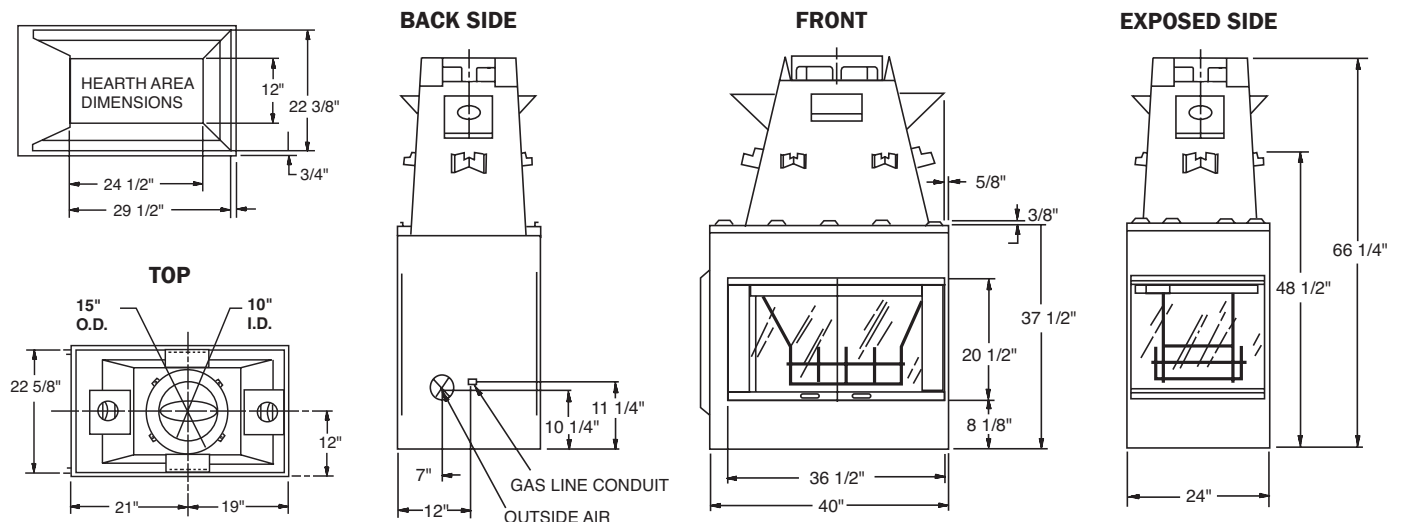
## SEE-THRU FIREPLACE DIMENSIONS



## CORNER FIREPLACE DIMENSIONS



## PENINSULA FIREPLACE DIMENSIONS





Double Wall Pipe



Elbow Set



Square Top Termination



Anti Draft Shield

<b>8" Wood Burning Pipe &amp; Accessories (For Standard, Performance &amp; Corner Only)</b>		
<b>MODEL #</b>	<b>DESCRIPTION</b>	<b>WEIGHT</b>
<b>Standard 8" Pipe (UL127 1700 Degree Pipe)</b>		
12-8DM	12" Double Wall Pipe	4.0 lbs.
18-8DM	18" Double Wall Pipe	6.0 lbs.
24-8DM	24" Double Wall Pipe	8.0 lbs.
36-8DM	36" Double Wall Pipe	11.0 lbs.
48-8DM	48" Double Wall Pipe	15.0 lbs.
30E-8DM	30 Degree Offset and Return Elbow Set	12.0 lbs.
12S-8DM	12" Support Pipe (For Systems Over 30')	5.0 lbs.
RLT-8DM	Round Top with Louvers (Roof or Chase System) (4" Gain)	8.0 lbs.
RLT-8DM-K	Round Top with Louvers (Roof or Chase System) (4" Gain) - Black	8.0 lbs.
RLTT-8DM	Round Top Telescoping with Louvers (Chase System Only) (1-17" Gain)	15.0 lbs.
RT-8DM	Round Top with Mesh Screen (Roof or Chase System) (4" Gain)	7.0 lbs.
RT-8DM-K	Round Top with Mesh Screen (Roof or Chase System) (4" Gain) - Black	7.0 lbs.
RTT-8DM	Round Top Telescoping with Mesh Screen (Chase System Only) (1-17" Gain)	12.0 lbs.
ETL-8DM	Square Top (Chase System Only) (1-12" Gain)	21.0 lbs.
ETL-8DM-K	Square Top (Chase System Only) 1-12" Gain) - Black	21.0 lbs.
<b>High Temperature 8" Pipe (UL127 2100 Degree High Temp Pipe - Required For Canada)</b>		
12-8HT	12" Double Wall Pipe	4.0 lbs.
18-8HT	18" Double Wall Pipe	6.0 lbs.
24-8HT	24" Double Wall Pipe	8.0 lbs.
36-8HT	36" Double Wall Pipe	11.0 lbs.
48-8HT	48" Double Wall Pipe	15.0 lbs.
30E-8HT	30 Degree Offset and Return Elbow Set	12.0 lbs.
12S-8HT	12" Support Pipe (For Systems Over 30')	5.0 lbs.
RLT-8HT	Round Top with Louvers (Roof or Chase System) (4" Gain)	8.0 lbs.
RLTT-8HT	Round Top Telescoping with Louvers (Chase System Only) (1-17" Gain)	15.0 lbs.
RT-8HT	Round Top with Mesh Screen (Roof or Chase System) (4" Gain)	7.0 lbs.
RTT-8HT	Round Top Telescoping with Mesh Screen (Chase System Only) (1-17" Gain)	12.0 lbs.
ETL-8HT	Square Top (Chase System Only) (1-12" Gain)	21.0 lbs.
<b>Finishing Accessories For Standard &amp; High Temperature 8" Pipe</b>		
V6F-8DM	Flashing 0-6/12 Pitch	6.0 lbs.
V12F-8DM	Flashing 6/12 - 12/12 Pitch	9.0 lbs.
SC1-1	Storm Collar Single-Pack	2.0 lbs.
VSC1-20-8DM	Storm Collar 20-Pack	18.0 lbs.
3600FS-8DM-1	1" Clearance Firestop Spacer Single-Pack	1.0 lbs.
V3600FS-8DM	1" Clearance Firestop Spacer 24-Pack	24.0 lbs.
FS-8DM	2" Clearance Firestop Spacer Single-Pack	3.0 lbs.
VFS-8DM	2" Clearance Firestop Spacer 24-Pack	38.0 lbs.
30FS-8DM	2" Clearance 30 Degree Firestop Spacer - Single-Pack	3.0 lbs.
38FST	Firestop Thimble (For Penetrating a Joist) Single-Pack	11.0 lbs.
FST30	Firestop Thimble (For Offsetting Through a Joist) Single-Pack	11.0 lbs.
38RS	Roof Support - Single-Pack	11.0 lbs.
ADS-8DM	Anti Draft Shield ( Use with RTL or RTTL) Single-Pack	15.0 lbs.
SLK	Shroud Leg Kit (For UL Approved Field Fabricated Shroud Designs)	2.0 lbs.
CAK-8	Cold Air Collar Kit - 8" Chimney	1.8 lbs.
<b>12" Wood Burning Pipe &amp; Accessories (For Premium, See-Thru &amp; Peninsula Only)</b>		
<b>MODEL #</b>	<b>DESCRIPTION</b>	<b>WEIGHT</b>
<b>Standard 12" Pipe (UL127 1700 Degree Standard Pipe)</b>		
12-12DM	12" Double Wall Pipe	5.0 lbs.
18-12DM	18" Double Wall Pipe	8.0 lbs.
24-12DM	24" Double Wall Pipe	10.0 lbs.
36-12DM	36" Double Wall Pipe	14.0 lbs.
48-12DM	48" Double Wall Pipe	19.0 lbs.
30E-12DM	30 Degree Offset and Return Elbow Set	16.0 lbs.
12S-12DM	12" Support Pipe (For Systems Over 30')	6.0 lbs.
RLT-12D	Round Top (Roof or Chase System) (6 1/2" Gain)	16.0 lbs.
STL-12D	Square Top (Chase System Only) (1-12" Gain)	38.0 lbs.
STL-12DMP	Square Top with Slip Section - Black	16.0 lbs.



Round Top Termination



Firestop Spacer



Storm Collar

<b>12" Wood Burning Pipe &amp; Accessories (For Premium, Oracle, See-Thru &amp; Peninsula Fireplaces Only)</b>		
<b>MODEL #</b>	<b>DESCRIPTION</b>	<b>WEIGHT</b>
<b>High Temperature 12" Pipe (UL127 2100 Degree High Temp Pipe - Required For Canada)</b>		
12-12HT	12" Double Wall Pipe	5.0 lbs.
18-12HT	18" Double Wall Pipe	8.0 lbs.
24-12HT	24" Double Wall Pipe	10.0 lbs.
36-12HT	36" Double Wall Pipe	14.0 lbs.
48-12HT	48" Double Wall Pipe	19.0 lbs.
30E-12HT	30 Degree Offset and Return Elbow Set	16.0 lbs.
12S-12HT	12" Support Pipe (For Systems Over 30')	6.0 lbs.
RLT-12HT	Round Top (Roof or Chase System) (6 1/2" Gain)	16.0 lbs.
<b>Finishing Accessories For Standard &amp; High Temperature 12" Pipe</b>		
V6F-10DM	Flashing 0-6/12 Pitch	7.0 lbs.
V12F-10DM	Flashing 6/12 - 12/12 Pitch	10.0 lbs.
SC2-1	Storm Collar Single-Pack	1.0 lbs.
VSC2-20-10DM	Storm Collar 20-Pack	20.0 lbs.
FS-10	2" Clearance Firestop Spacer Single-Pack	1.0 lbs.
VFS-10DM	2" Clearance Firestop Spacer 12-Pack	38.0 lbs.
30FS-10	2" Clearance 30 Degree Firestop Spacer - Single-Pack	3.0 lbs.
FST10	Firestop Thimble (For Offsetting Through a Joist) Single-Pack	12.0 lbs.
SLK	Shroud Leg Kit (For UL Approved Field Fabricated Shroud Designs)	2.0 lbs.
CAK-12	Cold Air Collar Kit - 12" Chimney	1.8 lbs.
<b>Misc. Accessories</b>		
<b>MODEL #</b>	<b>DESCRIPTION</b>	<b>WEIGHT</b>
<b>Face and Louvers Panels (Performance)</b>		
SP36	36" Smooth Face Panel Kit - Black	5.0 lbs.
SL36	36" Stamped Louver Panel Kit - Black	5.0 lbs.
RL36	36" Rolled Louver Panel Kit - Black	9.0 lbs.
FP36	36" Filigree Panel Kit - Black	5.0 lbs.
FP36B	36" Filigree Panel Kit - Brushed Brass	5.0 lbs.
FP36P	36" Filigree Panel Kit - Platinum	5.0 lbs.
SP42	42" Smooth Face Panel Kit - Black	6.0 lbs.
SL42	42" Stamped Louver Panel Kit - Black	6.0 lbs.
RL42	42" Rolled Louver Panel Kit - Black	11.0 lbs.
FP42	42" Filigree Panel Kit - Black	6.0 lbs.
FP42B	42" Filigree Panel Kit - Brushed Brass	6.0 lbs.
FP42P	42" Filigree Panel Kit - Platinum	6.0 lbs.
<b>Louver Trim (Performance)</b>		
LT36B	4-pc. 36" Rolled Louver Trim Kit - Brushed Brass	3.0 lbs.
LT36P	4-pc. 36" Rolled Louver Trim Kit - Platinum	3.0 lbs.
LT42B	4-pc. 42" Rolled Louver Trim Kit - Brushed Brass	4.0 lbs.
LT42P	4-pc. 42" Rolled Louver Trim Kit - Platinum	4.0 lbs.
<b>Perimeter Trim (Performance &amp; Laredo Performance)</b>		
PT36	36" Perimeter Fireplace Trim - Black	3.0 lbs.
PT36B	36" Perimeter Fireplace Trim - Brushed Brass	3.0 lbs.
PT36P	36" Perimeter Fireplace Trim - Platinum	3.0 lbs.
PT42	42" Perimeter Fireplace Trim - Black	4.0 lbs.
PT42B	42" Perimeter Fireplace Trim - Brushed Brass	4.0 lbs.
PT42P	42" Perimeter Fireplace Trim - Platinum	4.0 lbs.
<b>Drain Pans (Corrosion Resistant) (Laredo Performance)</b>		
DP36	36" Drain Pan, Includes 1" Decorative Stainless Face Extension	5.5 lbs.
DP42	42" Drain Pan, Includes 1" Decorative Stainless Face Extension	6.0 lbs.
<b>Heating Circulating Fan Kits (All Wood Burning Fireplaces)</b>		
BK	Manual Fan, Variable Speed	5.0 lbs.
BK3	Triple Fan, Manual Control	3.0 lbs.
VCBK4R	Two-Fan Kit for Right Side Corner Fireplace (V36R)	7.0 lbs.
VCBK4L	Two-Fan Kit for Left Side Corner Fireplace (V36L)	7.0 lbs.
<b>Outside Air Kits (All Wood Burning Fireplaces)</b>		
AK4	Complete 4" Air Kit w/ Collars, Hood and 3' Flex Hose	1.0 lbs.
AK4X	4" Air Kit. Collars and Hood Only	1.0 lbs.
AK4B	50 pc. Bulk Collars Only Kit	20.0 lbs.

Glass & Screen Doors		
MODEL #	DESCRIPTION	WEIGHT
<b>Bi-Fold Glass Doors (Traditional Series Standard)</b>		
BDB36	36" Bi-Fold Glass Door - Black	15.0 lbs.
BDB36B	36" Bi-Fold Glass Door - Brushed Brass	15.0 lbs.
BDB36P	36" Bi-Fold Glass Door - Platinum	15.0 lbs.
BDB42	42" Bi-Fold Glass Door - Black	17.0 lbs.
BDB42B	42" Bi-Fold Glass Door - Brushed Brass	17.0 lbs.
BDB42P	42" Bi-Fold Glass Door - Platinum	17.0 lbs.
<b>Bi-Fold Glass Doors (Traditional Series Performance)</b>		
BD36	36" Bi-Fold Glass Door - Black	15.0 lbs.
BD36B	36" Bi-Fold Glass Door - Brushed Brass	15.0 lbs.
BD36P	36" Bi-Fold Glass Door - Platinum	15.0 lbs.
BD42	42" Bi-Fold Glass Door - Black	17.0 lbs.
BD42B	42" Bi-Fold Glass Door - Brushed Brass	17.0 lbs.
BD42P	42" Bi-Fold Glass Door - Platinum	17.0 lbs.
<b>Bi-Fold Glass Doors (Traditional Series Premium Indoor &amp; Outdoor)</b>		
BDG36	36" Bi-Fold Glass Door - Black	14.0 lbs.
BDG36B	36" Bi-Fold Glass Door - Brushed Brass	14.0 lbs.
BDG36P	36" Bi-Fold Glass Door - Platinum	14.0 lbs.
BDG42	42" Bi-Fold Glass Door - Black	20.0 lbs.
BDG42B	42" Bi-Fold Glass Door - Brushed Brass	20.0 lbs.
BDG42P	42" Bi-Fold Glass Door - Platinum	20.0 lbs.
BD50	50" Bi-Fold Glass Door - Black	25.0 lbs.
BD50B	50" Bi-Fold Glass Door - Brushed Brass	25.0 lbs.
BD50P	50" Bi-Fold Glass Door - Platinum	25.0 lbs.
<b>Bi-Fold Glass Doors (Laredo Performance)</b>		
BDO36	36" Bi-Fold Glass Door - Black	15.0 lbs.
BDO36B	36" Bi-Fold Glass Door - Brushed Brass	15.0 lbs.
BDO36P	36" Bi-Fold Glass Door - Platinum	15.0 lbs.
BDO42	42" Bi-Fold Glass Door - Black	17.0 lbs.
BDO42B	42" Bi-Fold Glass Door - Brushed Brass	17.0 lbs.
BDO42P	42" Bi-Fold Glass Door - Platinum	17.0 lbs.
<b>Glass Doors (Multi-View Series)</b>		
DG368ST	See-Thru Glass Door & End Panel - Brushed Brass	14.0 lbs.
DBP368ST	See-Thru Glass Door & End Panel - Black	14.0 lbs.
DC368ST	See-Thru Glass Door & End Panel - Platinum	14.0 lbs.
VDG36C	Corner Glass Door (1 Side) - Brushed Brass	24.0 lbs.
VDBP36C	Corner Glass Door (1 Side) - Black	24.0 lbs.
DC36L/R/LS/RS	Corner Glass Door (1 Side) - Platinum	24.0 lbs.
DGPN36	Peninsula Glass Door (2 pr. & End) - Brushed Brass	40.0 lbs.
DBPPN36	Peninsula Glass Door (2 pr. & End) - Black	40.0 lbs.
DCPN36	Peninsula Glass Door (2 pr. & End) - Platinum	40.0 lbs.
<b>Sienna Screen Doors (Traditional Series Performance)</b>		
CD36RC-2IS	36" Common Chassis Door - Natural Iron	51.0 lbs.
CD36RC-2CS	36" Common Chassis Door - Aged Copper	51.0 lbs.
CD36RC-2WS	36" Common Chassis Door - Antique White	51.0 lbs.
CD42RC-2IS	42" Common Chassis Door - Natural Iron	68.7 lbs.
CD42RC-2CS	42" Common Chassis Door - Aged Copper	68.7 lbs.
CD42RC-2WS	42" Common Chassis Door - Antique White	68.7 lbs.

Glass & Screen Doors (Continued)		
MODEL #	DESCRIPTION	WEIGHT
<b>Valencia Screen Doors (Traditional Series Performance)</b>		
CD36RC-1IS	36" Common Chassis Door - Natural Iron	46.0 lbs.
CD36RC-1SS	36" Common Chassis Door - Aged Silver	46.0 lbs.
CD36RC-1WS	36" Common Chassis Door - Antique White	46.0 lbs.
CD42RC-1IS	42" Common Chassis Door - Natural Iron	56.5 lbs.
CD42RC-1SS	42" Common Chassis Door - Aged Silver	56.5 lbs.
CD42RC-1WS	42" Common Chassis Door - Antique White	56.5 lbs.
<b>Accessories For Luxury Series Fireplaces (Premium &amp; Rumford Premium)</b>		
MODEL #	DESCRIPTION	WEIGHT
<b>Bi-Fold Glass Doors (Premium &amp; Rumford Premium Indoor)</b>		
BDM36E	36" Indoor Bi-Fold Door Kit - Ebony	18.0 lbs.
BDM36G	36" Indoor Bi-Fold Door Kit - Pewter	18.0 lbs.
BDM36C	36" Indoor Bi-Fold Door Kit - Oiled Bronze	18.0 lbs.
BDM42E	42" Indoor Bi-Fold Door Kit - Ebony	20.0 lbs.
BDM42G	42" Indoor Bi-Fold Door Kit - Pewter	20.0 lbs.
BDM42C	42" Indoor Bi-Fold Door Kit - Oiled Bronze	20.0 lbs.
BDM048E	48" Indoor Bi-Fold Door Kit - Ebony	35.5 lbs.
BDM048G	48" Indoor Bi-Fold Door Kit - Pewter	35.5 lbs.
BDM048C	48" Indoor Bi-Fold Door Kit - Oiled Bronze	35.5 lbs.
BDM50E	50" Indoor Bi-Fold Door Kit - Ebony	25.0 lbs.
BDM50G	50" Indoor Bi-Fold Door Kit - Pewter	25.0 lbs.
BDM50C	50" Indoor Bi-Fold Door Kit - Oiled Bronze	25.0 lbs.
<b>Bi-Fold Glass Doors (Premium Outdoor)</b>		
BDM036E	36" Indoor / Outdoor Bi-Fold Door Kit - Ebony	18.0 lbs.
BDM036G	36" Indoor / Outdoor Bi-Fold Door Kit - Pewter	18.0 lbs.
BDM036C	36" Indoor / Outdoor Bi-Fold Door Kit - Oiled Bronze	18.0 lbs.
BDM042E	42" Indoor / Outdoor Bi-Fold Door Kit - Ebony	20.0 lbs.
BDM042G	42" Indoor / Outdoor Bi-Fold Door Kit - Pewter	20.0 lbs.
BDM042C	42" Indoor / Outdoor Bi-Fold Door Kit - Oiled Bronze	20.0 lbs.
BDM050E	50" Indoor / Outdoor Bi-Fold Door Kit - Ebony	25.0 lbs.
BDM050G	50" Indoor / Outdoor Bi-Fold Door Kit - Pewter	25.0 lbs.
BDM050C	50" Indoor / Outdoor Bi-Fold Door Kit - Oiled Bronze	25.0 lbs.
<b>Masonry Wood Nooks &amp; Accessories</b>		
DHR-24	24" Round Top Wood Nook with Red Stacked Masonry Brick	430.0 lbs.
DHR-24I	24" Round Top Wood Nook with Ivory Stacked Masonry Brick	430.0 lbs.
DHS-36	36" Under Hearth Wood Nook with Red Stacked Masonry Brick	330.0 lbs.
DHS-36I	36" Under Hearth Wood Nook with Ivory Stacked Masonry Brick	330.0 lbs.
DHS-42	42" Under Hearth Wood Nook with Red Stacked Masonry Brick	385.0 lbs.
DHS-42I	42" Under Hearth Wood Nook with Ivory Stacked Masonry Brick	385.0 lbs.
DHS-50	50" Under Hearth Wood Nook with Red Stacked Masonry Brick	445.0 lbs.
DHS-50I	50" Under Hearth Wood Nook with Ivory Stacked Masonry Brick	445.0 lbs.
HS48	48" Combustible Floor Protective Hearth Spacer (For Use with VF48H)	145.0 lbs.
AL48	48" Masonry Ash Lip Brick Kit (For Use with VF48HR) - Red	20.0 lbs.
AL48I	48" Masonry Ash Lip Brick Kit (For Use with VF48HI) - Ivory	20.0 lbs.



Look For Us Online:  
www.fmiproducts.com

#### IMPORTANT

Installation must be done by qualified service persons. Read Owner's Manual before using. Check local codes and ordinances for permitted uses.

We reserve the right to amend product specifications without notice. For warranty information please consult the owner's manual.

Note: All measurements are in inches. Dimensions on this catalog are approximate. For accurate dimensions, refer to the installation instructions.