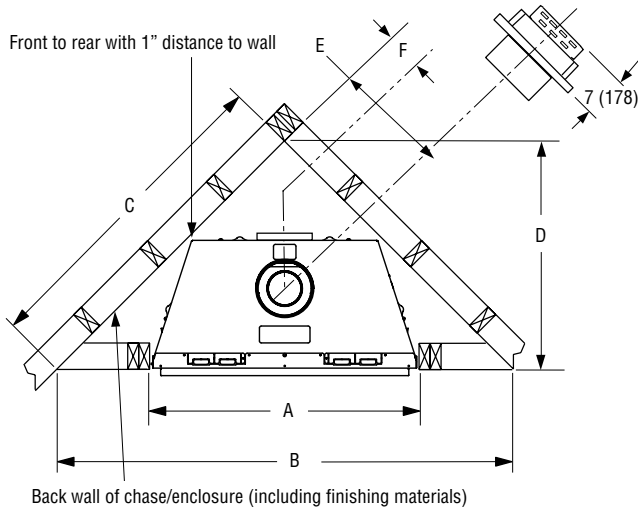


# DRT3000 AND DRC3000 SERIES

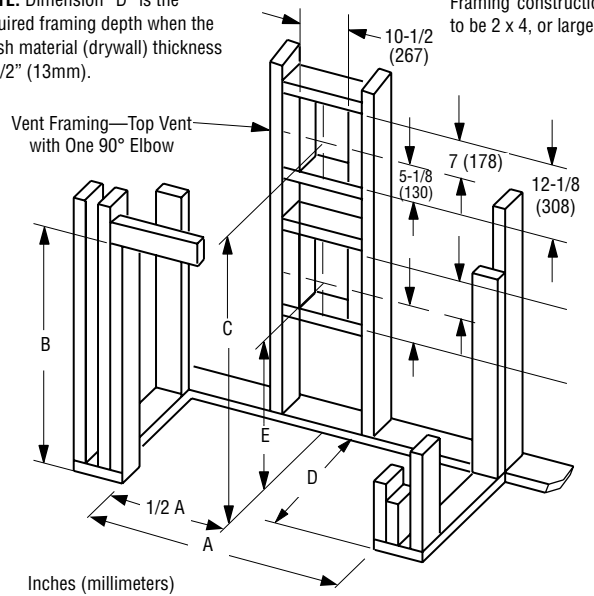
## DIRECT-VENT FIREPLACES

Framing Dimensions



**NOTE:** Dimension "D" is the required framing depth when the finish material (drywall) thickness is 1/2" (13mm).

Framing construction to be 2 x 4, or larger.



C = Minimum height of top vent installations  
E = Minimum height of rear vent installations

Model	A	B	C	D	E	F
33" Models	33-3/4 (857)	51-1/4 (1302)	36-1/4 (921)	25-5/8 (651)	12-1/8 (308)	5-1/2 (140)
35" Models	35-3/8 (899)	59-1/2 (1511)	42-1/8 (1070)	30-1/4 (768)	14-1/4 (362)	6-5/8 (168)
40" Models	40-3/8 (1025)	63-7/8 (1622)	45-3/8 (1153)	33-1/4 (845)	15-7/8 (403)	8-1/2 (216)
45" Models	45-3/8 (1153)	70-3/8 (1788)	49-3/4 (1264)	35-1/4 (895)	17-1/2 (445)	10-1/4 (260)

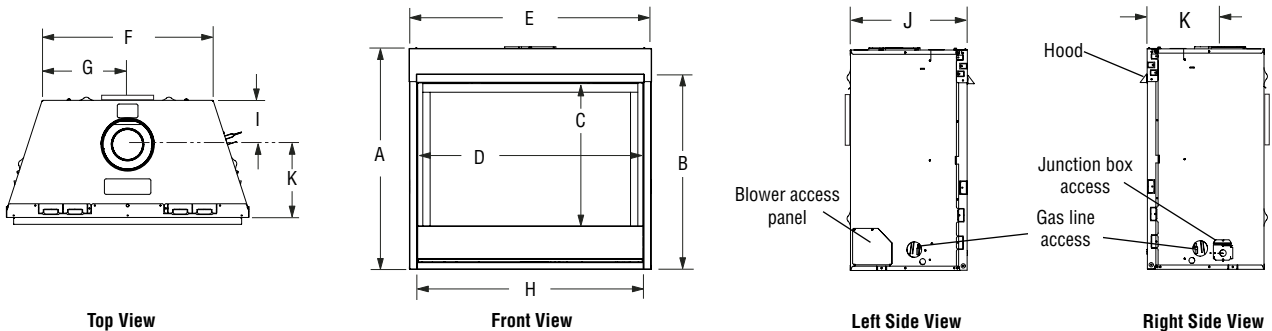
Model	A *	B	C	D	E
33" Models	33-3/4 (857)	34-1/4 (845)	36-7/8 (930)	14-1/2 (368)	19-5/8 (499)
35" Models	35-3/8 (899)	36-1/4 (895)	38-3/4 (984)	18 (447)	23-3/8 (594)
40" Models	40-3/8 (1026)	41-1/4 (1048)	43-3/4 (1111)	18 (447)	28-1/4 (717)
45" Models	45-3/8 (1153)	41-1/4 (1048)	43-3/4 (1111)	18 (447)	28-1/4 (717)

\*Minimum opening size; additional 1/8" per side is recommended.

**NOTE:** Framing specifications do NOT apply for flexible venting. When using flexible venting, refer to the kit requirements for framing specifications.

**NOTE:** When finishing the area around the hood, 5/8" clearance above hood is required for hood installation.

Fireplace Dimensions



Model	A	B	C	D (door)	E	F	G	H	I	J	K
33" Models	30-1/8 (765)	26-1/4 (667)	18-3/8 (467)	30-1/2 (775)	33-5/8 (854)	21-7/8 (556)	11 (279)	31 (787)	5-3/4 (146)	14 (356)	8-1/2 (207)
35" Models	32-1/8 (816)	28-3/4 (730)	22-1/4 (565)	32-3/8 (822)	35-1/4 (895)	25 (635)	12-1/2 (317)	32-7/8 (835)	6-7/8 (175)	17 (432)	10-1/8 (257)
40" Models	37-1/8 (943)	33-1/4 (845)	27-1/4 (692)	37-3/8 (949)	40-1/4 (1022)	30 (762)	15 (381)	37-7/8 (962)	6-7/8 (175)	17 (432)	10-1/8 (257)
45" Models	37-1/8 (943)	33-1/4 (845)	27-1/4 (692)	42-3/8 (1076)	45-1/4 (1149)	35 (889)	17-1/2 (445)	42-7/8 (1089)	6-7/8 (175)	17 (432)	10-1/8 (257)

NOTE: DIAGRAMS & ILLUSTRATIONS ARE NOT TO SCALE.

# DRT3000 AND DRC3000 SERIES

## Product Information

Cat. No.	Model	Weight	Cu. Ft.
F1397	DRT3033TMN	102 lb.	11.8
F1401	DRT3033TMP	102 lb.	11.8
F2973	DRT3033TEN-B	102 lb.	11.8
F2975	DRT3033TEP-B	102 lb.	11.8
F1402	DRT3033RMN	102 lb.	11.8
F1398	DRT3033RMP	102 lb.	11.8
F2976	DRT3033REN-B	102 lb.	11.8
F2974	DRT3033REP-B	102 lb.	11.8

Cat. No.	Model	Weight	Cu. Ft.
F1389	DRT3035DMN	102 lb.	11.8
F1390	DRT3035DMP	102 lb.	11.8
F2971	DRT3035DEN-B	102 lb.	11.8
F2972	DRT3035DEP-B	102 lb.	11.8
F1381	DRT3040DMN	128 lb.	15.5
F1382	DRT3040DMP	128 lb.	15.5
F2969	DRT3040DEN-B	128 lb.	15.5
F2970	DRT3040DEP-B	128 lb.	15.5

Cat. No.	Model	Weight	Cu. Ft.
F1373	DRT3045DMN	128 lb.	15.5
F1374	DRT3045DMP	128 lb.	15.5
F2967	DRT3045DEN-B	128 lb.	15.5
F2968	DRT3045DEP-B	128 lb.	15.5
F1373	DRC3035DEN	102 lb.	11.8
F1374	DRC3040DEN	128 lb.	15.5

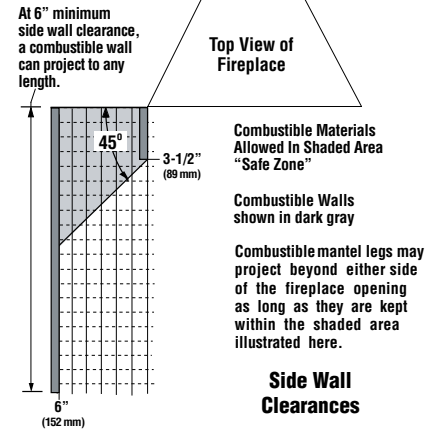
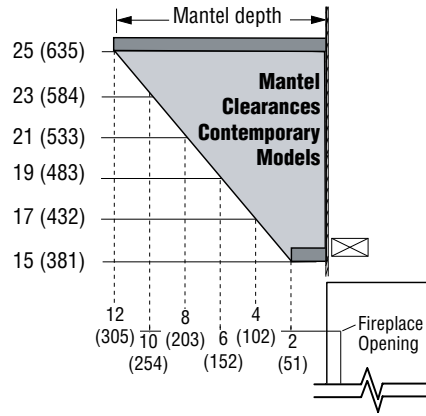
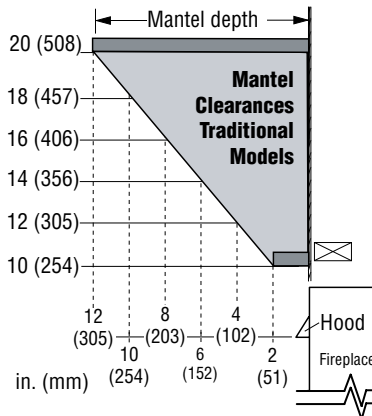
Listing C



Report No. F13-094

Listed by PFS Corporation to - ANSI Z21.88 (in Canada, CSA-2.33), and CAN/CGA-2.17-M91 in both USA and Canada, as a vented gas fireplace heater.

## Clearances



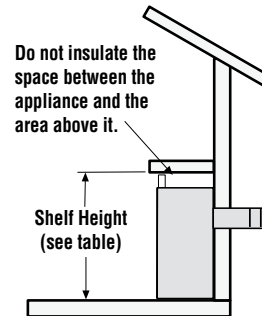
## Shelf Height

Model	Top Vent with one 90° Elbow		Alternative Rear Vent applications
	Secure Vent®	Secure Flex® (flex elbow)	Secure Vent®
33" Models	44" (1118 mm)*	46" (1168 mm)*	39" (990 mm)**
35" Models	47" (1194 mm)*	49" (1245 mm)*	41" (1042 mm)**
40" Models	52" (1321 mm)*	54" (1372 mm)*	46" (1169 mm)**
45" Models	52" (1321 mm)*	54" (1372 mm)*	46" (1169 mm)**

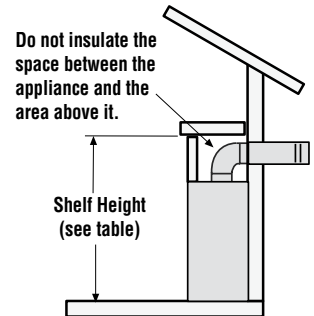
\* Includes 3" clearance to combustibles (required above vent components)

\*\* In alternative, Rear Vent applications, Top Vent will be sealed as detailed in the Installation and Operation manual.

Specifications and clearances are subject to change without notice. Refer to Installation and Operation Manual before installation of these appliances for updated dimensions and instructions.

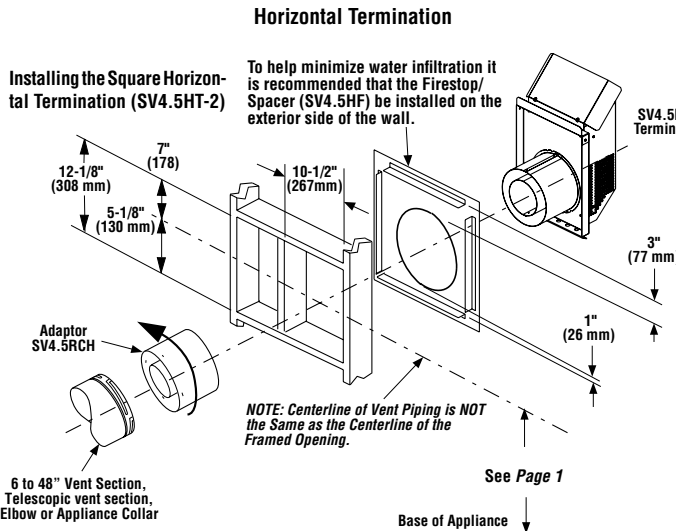


Shelf Above Fireplace With Rear Venting

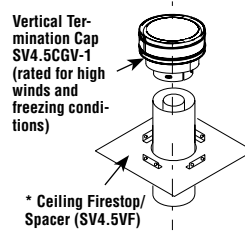


Shelf Above Fireplace With Top Venting

## Venting



## Vertical Termination



## Typical Installations

