

**BRT4000 SERIES**

**CUSTOM SERIES B-VENT GAS FIREPLACES**

**Superior**  
FIREPLACES®  
*Our name is our promise.*



**TRADITIONAL**

The BRT4000 Series, offered in three distinct models BRT40/43/45, provides uncompromising style, selection and performance. These premium b-vent radiant smooth-faced designs offer a multi-dimensional refractory log arrangement, dual tube burner and ember bed to provide continuous ambiance without additional heat to the room.



**FEATURED** BRT4036 with Black Interior and White Refractory Panel Hearth and Split Oak Log Set

## EXCLUSIVE FEATURES

- Available in 36" and 42" radiant smooth-faced models
- BRT40/43/45 - Uses 6" b-vent
- Millivolt (Remote-ready) or electronic ignition
- Dual tube burner creates dramatic yellow flames with glowing ember bed
- Detailed ceramic fiber "split oak" log set with log grate
- BRT40 - Black Painted Interior with White Stacked Hearth
- BRT43 - White Stacked Refractory Panel Interior (back, sides and hearth)
- BRT45 - White Herringbone Refractory Panel Interior (back and sides)
- Screens retract into hidden screen pockets
- Hidden gas controls with damper safety switch
- Durable textured powder coat finish
- Optional outside air kit for increased performance
- Optional remote controls available for all models
- Dual access pre-wired electrical J-box
- 20-year limited warranty

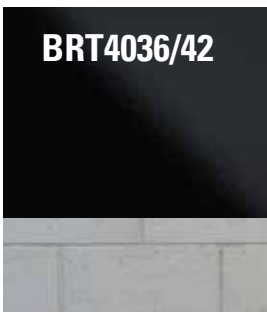




**FEATURED** BRT4542 with White Herringbone Refractory Panel Interior and Split Oak Log Set

## INTERIOR OPTIONS

(Required)



**BRT4036/42**

Black Interior with  
White Stacked  
Hearth



**BRT4336/42**

White Stacked  
(back, sides and hearth)

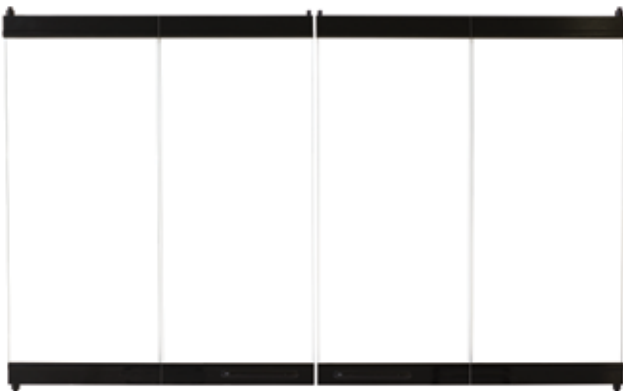


**BRT4536/42**

White Herringbone  
(back and sides)

## EXTERIOR OPTIONS

(Optional)



Bi-Fold Glass Doors or Fixed Glass Doors



Platinum

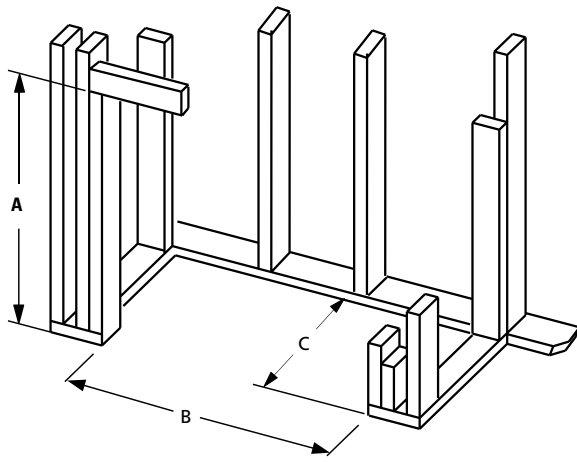


Brushed Brass



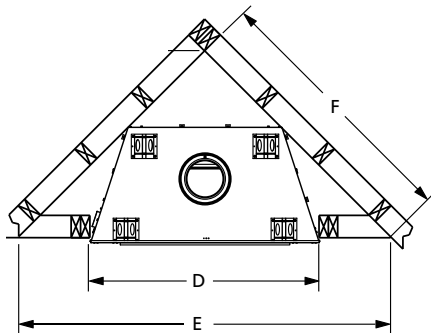
Black

## FLAT WALL FRAMING SPECIFICATIONS



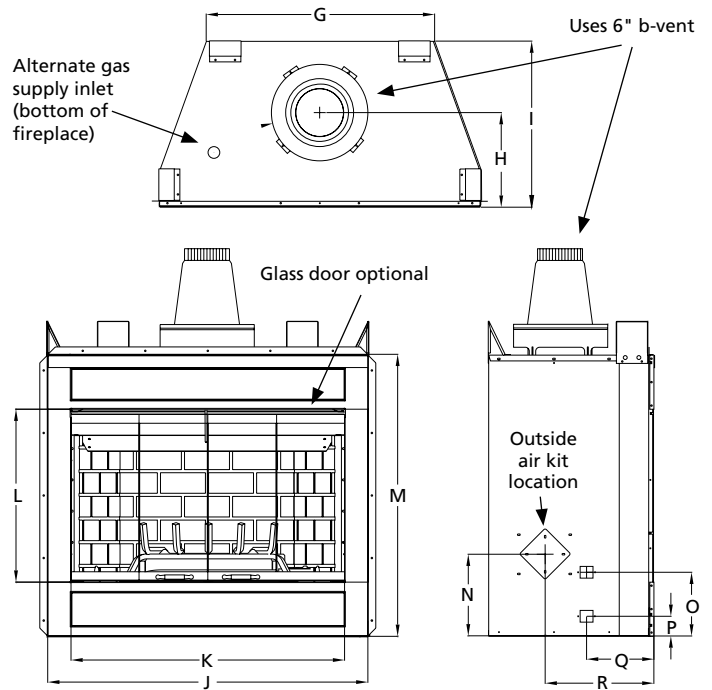
	BRT4036	BRT4042
A	40-3/8"	44-3/8"
B	41-1/4"	48-1/4"
C	21-3/8"	23-1/8"

## CORNER FRAMING SPECIFICATIONS



	BRT4036	BRT4042
D	41-1/4"	48-1/4"
E	73-7/8"	83-7/8"
F	52-3/16"	59-5/16"

## APPLIANCE SPECIFICATIONS



	BRT4036	BRT4042
G	29"	36"
H	12"	14"
I	21-1/4"	23"
J	41"	48"
K	34-3/4"	42"
L	21"	24"
M	36"	40"
N	10-1/2"	12-1/2"
O	8-1/8"	8-1/8"
P	2-1/2"	2-1/2"
Q	8-5/8"	10-1/2"
R	13-7/8"	14"

## FIREPLACE BTU — Listed to ANSI Z21.50 as a decorative gas appliance.

MODEL	FUEL	BTU/HR
BRT4036	NG	40,000
BRT4036	LP	40,000
BRT4336	NG	40,000
BRT4336	LP	40,000
BRT4536	NG	40,000
BRT4536	LP	40,000
BRT4042	NG	45,000
BRT4042	LP	45,000
BRT4342	NG	45,000
BRT4342	LP	45,000
BRT4542	NG	45,000
BRT4542	LP	45,000

**ON THE COVER:** BRT4536 with White Herringbone Refractory Panel interior

### IMPORTANT NOTES:

As with any fireplace, this appliance is extremely hot during operation. Read and understand all operating instructions before using this appliance. For further information, consult your dealer.

Local conditions, such as elevation, wind, vent configuration and choice of fuel will affect overall appearance of the fire and heating performance. Performance can also vary with home design and insulation, climate, condition and type of fuel used, appliance location, burn rate, accessories chosen, chimney installation and how the appliance is operated.

Diagrams, illustrations and photographs are not to scale—consult installation instructions. Product designs, materials, dimensions, specifications, colors and prices are subject to change or discontinuance without notice.



© 2017 Innovative Hearth Products

785691M 01/17

Visit us online



SuperiorFireplaces.us.com

