

FACTORY-BUILT FIREPLACE MODEL

DUET, DUET 4 SEASONS

Tested and certified by Intertek

- UL 127
- ULC-S610



OWNER'S MANUAL

INSTALLATION
OPERATION
MAINTENANCE

Keep these instructions for future use.

Manufactured by:

SUPREME

3594 Jarry East, Montreal, QUEBEC, H1Z 2G4

Phone: 1-877-593-4722 Fax: (514) 593-4424

www.supremem.com

info@supremem.com

TABLE OF CONTENTS

1. SAFETY GUIDELINES FOR YOUR DUET	3
2. OPERATING INSTRUCTIONS	4
2.1 Fuel	4
2.2 First Fires	4
2.3 The Combustion Air Control	4
2.3.1 Operating the Combustion Air Control	4
2.4 Starting a Fire	5
2.5 Adding a New Load of Wood	6
2.6 Smoking	6
2.7 Built-in Barbecue	6
3. MAINTENANCE OF THE DUET	7
3.1 Creosote – Formation and Need for Removal	7
3.2 Chimney Maintenance	7
3.3 Chimney Sweeping Cap	7
3.4 Paint	8
3.5 Disposal of Ashes	8
3.6 Glass Cleaning	8
3.7 Glass Replacement	9
3.8 Gasket Replacement	9
3.9 Latch Lubrication	10
4. INSTALLATION INSTRUCTIONS	10
4.1 Location of the Duet	10
4.2 Installation Configurations	11
4.2.1 4 Seasons Installation	13
4.2.2 Framing	14
4.3 Gravity Kit Installation	15
4.4 The Hearth Extension	15
4.5 Clearances to Combustibles	16
4.6 Blowers Kit Installation	17
4.7 Chimney Installation	17
4.7.1 General Rules	17
4.7.2 Reference Table of Listed UL 103/ULC S629 Chimneys	18
4.7.3 Chimney Installation Instructions	19
4.7.4 Typical Chimney Installations	19
4.7.5 Offset Installation	19
4.7.6 Angled Wall Radiation Shield	20
4.7.7 Connection to a Masonry Chimney	20
5. OPTIONS	21
5.1 Fresh Air Kit	21
5.2 Removable Ash Lip	22
5.2 Hot Air System	22
6. REPLACEMENT PARTS	23
7. LABELS	24
8. WARRANTY	26

1. SAFETY GUIDELINES FOR YOUR DUET

- Carefully read these instructions before installing and using the fireplace.
- The Duet is a high efficient fireplace and gets very hot when in use. Contact with the fireplace can cause severe harm. Install a safety screen to keep children and pets out of reach.
- Never leave children or pets unattended while the fireplace is hot.
- Do not operate the fireplace with the door open. Leaving the door open will overheat and damage the fireplace and void the warranty.
- Open the door to reload only when the wood has been reduced to embers, otherwise there is a risk of smoke infiltration into the house and overheating the fireplace.
- Only burn dry wood in the Duet fireplace. Do not burn treated wood, construction scraps, coal, garbage, plastic or metal. Burning anything other than dry natural wood will damage your fireplace and void the warranty.
- Never use gasoline, gasoline-type lantern fuel, kerosene, charcoal lighter fluid, or similar liquids to start or “freshen up” a fire in this fireplace. Keep all such liquids well away from the fireplace while it is in use.
- Do not use a fireplace grate.
- Do not alter or substitute any components of the fireplace. Changes made to the design of the fireplace will void the warranty and can be hazardous.
- As this fireplace is only intended for burning wood, do not install an unvented gas log set into the structure.
- This fireplace is not intended for use in mobile homes.
- Install the Duet only as described in this manual of installation.
- Cleaning products may damage the paint or plating of the fireplace.
- Do not do any maintenance to your fireplace while it is still hot.
- Do not obstruct the air flow of the louvers and grills of the fireplace.
- Do not use a fireplace insert or other products not specified for use with this fireplace.
- Consult authority having jurisdiction (such as the fire department, the municipal building department, the fire prevention bureau) to determine the need to obtain a permit before installation.
- Smoke detectors must be installed at least 15 feet away from the fireplace as to not be triggered by accidental fireplace smoking.
- When performing renovation work around the fireplace, always ensure that the minimum clearances to combustible materials are respected.
- Burning charcoal (if charcoal is used for the barbeque feature) may produce carbon monoxide. Be sure to have proper ventilation to avoid carbon monoxide poisoning.



Please register your SUPREME product online at <http://www.supremem.com/registration.php> to ensure full warranty coverage. Proof of purchase is required for all warranty claims.

2. OPERATING INSTRUCTIONS

WARNING: READ THE OWNER'S MANUAL CAREFULLY. Read the following brief instructions before using your fireplace.

The Duet is not intended to serve as a primary source of heat. A primary source of heat must be available in the home that the Duet is installed in. Supreme is not responsible for heating costs related to other sources of heat.

2.1 Fuel

The Duet is designed to burn dry, natural, seasoned wood having a moisture content below 20%. The optimum log length is 16-18 inches, preferably split in halves or quarters and left to dry under a cover or away from the elements for a minimum of one year prior to use.

Use good quality dry cordwood only. DO NOT burn coal, construction lumber, twigs, sawdust, plastic, garbage or other foreign materials in your fireplace. Gas logs cannot be used with the Duet. Use solid wood fuel only. Do not burn paper, newspaper, cardboard, pine tree branches or construction materials.

Do not over fire the Duet. Over firing will damage the fireplace, is hazardous and will void the warranty.

WARNING: Never use gasoline, gasoline-type lantern fuel, kerosene, charcoal lighter fluid, or similar liquids to start or "freshen up" a fire in this fireplace. Keep all such liquids well away from the fireplace while it is in use.

Ecological or compressed logs containing chemical additives are not tested and approved to be used with the Duet. Using them will overheat and damage the fireplace and void the warranty. Ecological or compressed logs that are 100% wood and contain no other additives can be safely used in the Duet. Never use more than three of these logs at a time. Using more is not only dangerous, but will damage the fireplace and void the warranty. Follow the ecological log manufacturer's safety guidelines and recommendations and be sure that they are intended for use in fireplaces. Reload only once the previous load of wood has been consumed and only a small flame remains.

WARNING: Do not keep the door open while the fireplace is lit.

2.2 First Fires

Due to oil residues and the curing of the paint of the fireplace, an odor can be smelled during the first 2 to 3 fires of the Duet. Open a window or a door near the fireplace to ventilate the house during the first fire.

2.3 The Combustion Air Control

The burn rate and the heat output are related to the amount of combustion air. The combustion air control of the Duet has two components: the Easy-Light and the Burn Rate Selector (see figure 1).

2.2.1 Operating the Combustion Air Control

When starting the fire or when adding a new charge of wood, the fireplace needs additional air in order to establish a good fire. When the wood starts to burn properly, the amount of air can be reduced depending on the heating requirements.

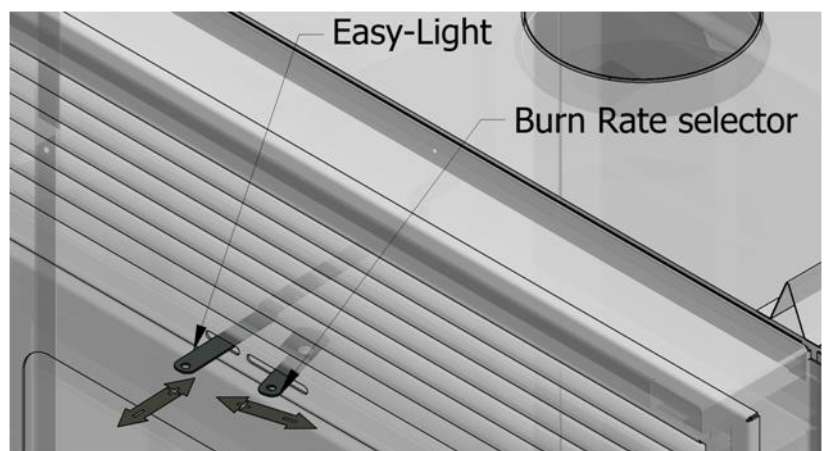


Figure 1 - Combustion Air Control

The left combustion control lever is the Easy-Light mechanism (see figure 1). When starting a fire or adding a new load of wood, the Easy-Light must be pushed in to allow a primary source of air to enter the firebox.

The right combustion control lever is the Burn Rate Selector (see figure 1). The Burn Rate Selector can slide sideways to achieve different burn rates. When the Burn Rate Selector is positioned to the left, a maximum burn rate is achieved and when it is positioned to the right, a minimum burn rate is set.

Keeping the Burn Rate Selector to the right will burn the wood slower. Keeping the Burn Rate Selector to the left will provide a stronger fire and keep the glass of the fireplace cleaner for longer. Adjust the burn rate according to your heating requirements and the quality of your wood.

The combustion air control will automatically and gradually close the primary air source with the presence of heat to maximize the burn time.

WARNING: The combustion air openings should never be obstructed.

2.4 Starting a Fire

Assure that all the safety precautions mentioned in the owner's manual are being respected.

1. Place two logs in the firebox. The logs should sit directly on the hearth. Maintain approximately a one inch gap between the logs. This will facilitate the Easy-Light airflow. Do not use a fireplace grate.
2. Add a firestarter on top of the two logs.
3. Add two more logs on top of firestarter and first set of logs. A log should be positioned directly above the firestarter, but with a one to two inch gap (see figure 3).
4. Push the left combustion control lever (the Easy-Light) inwards.
5. Slide the right combustion control lever (the Burn Rate Selector) to the desired burn rate. Positioning the Burn Rate Selector towards the left is for maximum burn rate and towards the right is for minimum burn rate.
6. Light the firestarter.
7. Once the firestarter is well lit, close the door. Do not leave the door open for more than 2 minutes.



Figure 2 – Not Recommended

Caution: The wood should be placed away from the doors to avoid damage to the glass.

WARNINGS: Over firing the unit may result in overheating and can damage the fireplace and/or result in fire hazards. The maximum firewood load must not exceed 4 medium sized logs (approximately 30 pounds). Open the door to reload only when the wood has been reduced to charcoal, otherwise there is a risk of smoke infiltration into the house.



Figure 3 - Recommended

This fireplace has been designed to burn with the doors closed. When the fireplace is being used, the doors should remain closed at all times. Failing to do so is a safety hazard, will damage the fireplace and void the warranty.

NOTE: Always place the wood at the center of the firebox. Keep the bottom logs apart in such a way that at least one slot of the ashtray grate is not obstructed. The Easy-Light air flows through the grate slots.

WARNING: Do not use fire accelerants to rekindle the fire if the first attempt to start the fire failed. Do not open the door. Simply reactivate the Easy-Light by pushing it inwards.

NOTE: Sufficient air exchange is necessary for the fireplace to operate properly. Air is required in order to maintain the combustion of the fireplace. If the house is airtight, the fireplace may not function properly. If the fireplace is deprived of air, it will be necessary to provide a source of fresh air into the dwelling. This may be done by using an air exchanger unit or simply by opening a window or a door near the fireplace partially for a few minutes. Make sure that other equipment such as the kitchen exhaust fans or oil central heating systems do not affect the fireplace functionality. Large return ducts of central heating systems located in the same room as the fireplace is installed may affect the proper functioning of the fireplace and may cause smoking.

2.5 Adding a New Load of Wood

When the wood has been reduced to embers, add a new load.

1. Open the fireplace door and use your fireplace tools to gather the remaining embers at the center of the firebox.
2. Close the door and activate the Easy-Light. Wait 2-3 minutes for the embers to be activated.
3. Open the fireplace door slowly and add 2-3 logs. Space the bottom logs 1-2 inches apart to allow the flame to move upwards.
4. Close the fireplace door.

Note: It is important to assure that a flame is maintained. If the flame is not maintained, reactivate the Easy-Light.

2.6 Smoking

Fireplace smoking can occur for a number of reasons: a negative pressure in your home, simultaneous use of other fans (such as a kitchen exhaust fan), wood having a high moisture content, a chimney that is below 15 feet long, a dirty chimney. Before starting a fire, if you feel a cold draft in the firebox (called a downdraft) you will likely experience smoking. Have your chimney swept at least once a year and inspected at least twice a year.

If you experience a downdraft, follow the following procedure to light the fireplace:

1. Load the fireplace as described in section 2.4.
2. Activate the Easy-Light by pushing it inward.
3. Place 3 sheets of crumpled newspaper on top of the wood.
4. Open a door or a window near the fireplace.
5. Open the fireplace door and ignite the firestarter. Ignite the newspaper in several locations. Keep the fireplace door fully opened. A small amount of smoke will leak in to the house. The intense flame of the newspaper should reverse the draft and a fire will start.
6. Close the fireplace door.
7. Close the door or window near the fireplace.

2.7 Built-in Barbecue

WARNING: Always wear gloves to avoid burns and injuries.

To use the barbecue feature of the Duet, lower the barbecue grills and place the food on it. The doors should remain closed while cooking. When you are done barbecuing, raise both barbecue grills against the sides of the firebox. No cleaning is required.

Useful Tips:

- Plan ahead of time. You will need between 4 to 6 hours after your last load of wood to have sufficient remaining coals to barbecue.
- Cook with indirect heat. Move the coals away from the middle of the hearth to the sides of the firebox.
- Keep the doors closed.
- Experiment with different heat intensity. Start with a lower heat intensity to avoid burning your food. The temperature inside the firebox is much higher than what may be deemed.
- In most cases, you will not have to flip the food that you are barbecuing. The radiant heat from the stainless steel firebox generally cooks food evenly on both sides.
- Fish cooks very well on a cedar plank.
- Chicken roasts very well using a chicken roast accessory (available at most local department stores).
- To avoid flare-ups, close the primary air by pulling the Easy-Light handle towards you. Smoking may occur when cooking greasier foods.

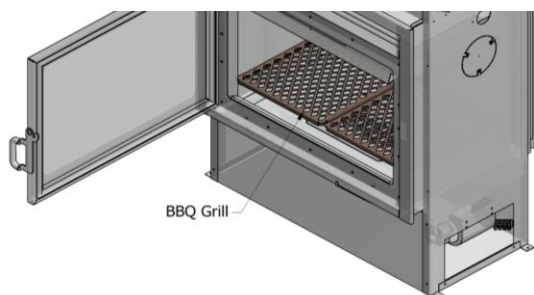


Figure 4 – Barbecue Grill and Smoke Shelf

Frequently Asked Questions Regarding the Barbecue Feature of the Duet:

What can you cook?

You can barbecue anything that you normally would with a regular outdoor grill. In addition, you can bake foods in the Duet that you usually would with your oven, such as pizza.

Can I use charcoal to barbecue?

Yes, you can. You can also add charcoal if you are cooking for a prolonged amount time.

How often can I use the barbecue feature of the Duet?

The barbecue shouldn't be used more than three times a week and is not intended to be used as a primary cooking appliance.

WARNING: Never use gasoline, gasoline-type lantern fuel, kerosene, charcoal lighter fluid, or similar liquids to rekindle the charcoal. These products may result in serious accidents or fires. Keep all such liquids well away from the fireplace while it is in use. If you need to rekindle the charcoal, gather the coals at the center of firebox, close the door and activate the Easy-Light by pushing it inward. Wait a few minutes for the coals to catch and close the Easy-Light by pulling it towards you.

If you wish to start a fire after barbecuing, you may do so by concentrating the remaining coals at the center of the firebox, add two to three logs on top of the charcoal, close the door and activate the Easy-Light by pushing it inwards. The fire will start without further intervention.

DISCLAIMER: SUPREME FIREPLACES INC. is not responsible for the quality nor the outcome of the food barbecued in the Duet.

Note: We invite you to share your barbecue experience with other users by visiting our website at www.supremem.com.

3. MAINTENANCE**3.1 Creosote – Formation and Need for Removal**

When wood is burned slowly, it produces tar and other organic vapors that when combined with expelled moisture forms creosote. The creosote vapors condense in the relatively cool chimney flue of a slow burning fire. As a result, creosote residue accumulates on the flue lining. When ignited, this creosote makes an extremely hot fire.

The chimney shall be inspected at least twice a year during the heating season to determine when creosote build-up has occurred.

When creosote has accumulated it shall be removed to reduce the risk of a chimney fire.

3.2 Chimney Maintenance

Have a certified technician regularly inspect your chimney and fireplace. The chimney should be swept at least once a year. Do not use chemical cleaners to clean your chimney. Burning dry, seasoned wood will reduce creosote accumulation.

3.3 Chimney Sweeping Cap

The chimney sweeping cap found at the baffle of the Duet al remove any components of the firebox. (see figure 5).

To sweep the chimney:

1. Open the fireplace door.
2. Push the chimney sweeping cap upwards and place it on the side.
3. Close the fireplace door.
4. Sweep the chimney.
5. Open the door of the fireplace and empty out all the residues.
6. Place back the chimney sweeping cap.

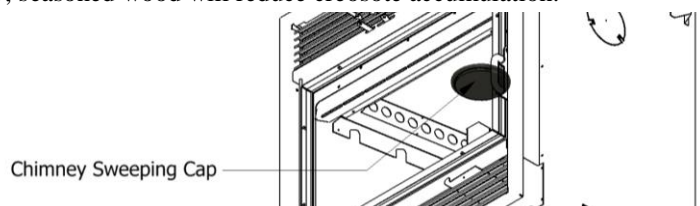


Figure 5 – The Chimney Sweeping Cap

Note: The chimney sweeping cap is sealed with silicone for transport. After the first fire, the silicone will burn and you will be able to move the cap.

WARNING: The chimney sweeping cap should be blocking the access to the chimney at all times during combustion. A chimney sweeping cap that is not blocking the baffle hole during combustion is a safety hazard, will overheat the fireplace and void the warranty.

3.4 Paint

The faces of the Duet could be touched up using Stove Bright high temperature paint in Metallic Black for black fireplaces and Charcoal for charcoal colored fireplaces. Follow the Stove Bright instructions on the can for directions and safety recommendations. Do not do any paint touch ups while the fireplace is hot.

3.5 Disposal of Ashes

Warning: Always wear protective gloves when emptying the ashes to avoid burns.

Regularly empty out the ashtray. The removal of the ashes should be done when the fireplace is cold.

To empty the ashtray:

1. Push down the ashes through the ashtray grate of the floor plate so that they fall into the ashtray. Do not overfill the ashtray.
2. Clean the area around the ashtray grate.
3. Remove the ashtray grate. (see figure 6).
4. Remove the ashtray.
5. Empty the ashes into a metal container.
6. Reposition the ashtray.
7. Install the ashtray grate.

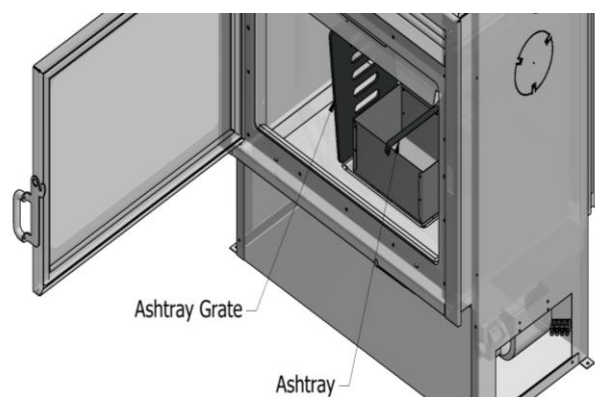


Figure 6 – Ashtray

Ashes should be placed in a metal container with a tight-fitting lid. The closed container of ashes should be placed on a noncombustible floor or on the ground, well away from all combustible materials, pending final disposal. If the ashes are disposed of by burial in soil or otherwise locally dispersed, they should be retained in the closed container until all cinders have thoroughly cooled.

WARNINGS:

- Even if the fireplace has not been in use for two days, the ashes can still contain hot embers.
- Since the ashtray and the container can become very hot, wear gloves to avoid burns.

3.6 Glass Cleaning

If necessary, the glass door may be cleaned with a soft cloth, using a non-abrasive solution such as soap and water. Commercial glass cleaners intended for fireplaces and stoves may produce better results.

WARNINGS:

- Abrasive cleaners must not be used because they will produce surface scratches, reducing glass transparency and resistance to impacts.
- Do not clean the glass when it is hot. The glass panels should be cleaned when the fireplace is cold and not functional.
- If using a commercial glass cleaner, avoid the painted parts of the fireplace. Glass cleaners can wear off the paint of the fireplace.

3.7 Glass Replacement

The glass door of your fireplace must be treated with care, do not slam the doors shut or build the fire too close to the glass. Do not over fire the Duet. Excessive temperatures or impacts may lead to breakage.

The glass panel is a heat-resistant ceramic type, 5 mm thick. Do not replace the glass with an ordinary glass or a tempered glass.

Replace immediately a cracked or broken glass. Do not use the fireplace with cracked or broken glass; doing so may result in a fire hazard.

To replace a broken glass:

CAUTION: Always wear gloves and protective eyewear to avoid injuries.

1. Order a pre-cut replacement glass, a door gasket and a glass gasket from your dealer (see NOTE).
2. To remove the door, open the door, lift it and pull it towards the bottom until the rod exits from the hinge holes.
3. Remove the gasket #5 (see figure 7).
4. Remove the nuts, the glass retainer #4 and the glass gasket #2.
5. Remove the broken pieces. Clean the frame carefully to insure that it is free of small fragments.
6. Insert the new glass #3 into the doorframe #1. Center the class with the frame.
7. Install the glass gasket and the glass retainer.
8. Fix the glass supports to the doorframe. Do not over tighten the nuts.
9. Apply a bead (width between 1/8" and 5/32") of high temperature silicone on the door gasket groove.
10. Install the new door gasket in the groove.

WARNINGS:

- Do not slam the door shut. If your glass door cracks or breaks, replace the glass immediately.
- Do not overfire the fireplace.
- Do not use substitute materials.

3.8 Gasket Replacement

WARNING: Never operate the fireplace without a gasket or with a damaged one. A gasket should be replaced when damaged or worn.

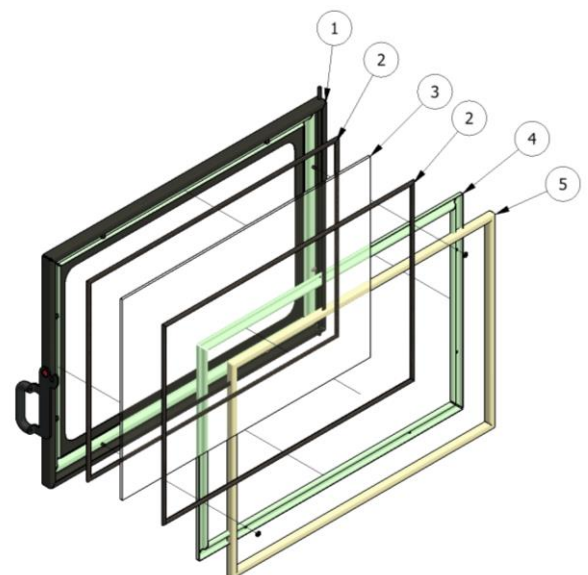
To replace a gasket:

1. Remove the door by opening it, lifting it and pulling it towards the bottom until the rod exits from the hinge holes.
2. Place the door on a clean, flat surface with the side of the door having the gasket facing up.
2. Remove the gasket and adhesive.
3. Apply a high temperature resistant silicone on the gasket channel of the door.
4. Place the new gasket and gently press it on the high temperature resistant silicone.
5. Leave the silicone to dry for a minimum of 12 hours.
6. Install the door by inserting the hinges in their respective holes.

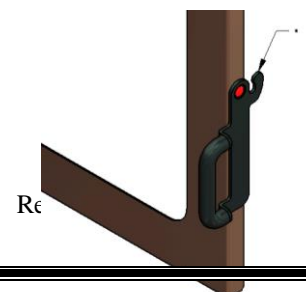
The door should be air tight when closed. To verify if the gasket has been properly installed, place a sheet of paper over the frame of the firebox opening and close the door. If the paper does not slide easily, the gasket has been installed properly.

3.9 Latch Lubrication

Periodically lubricate the latch with grease as indicated in Figure 8.



PARTS LIST	
ITEM	DESCRIPTION
1	Door frame
2	Glass gasket 3/8 x 144 in
3	Glass, Ceramic 5mm 17 x 24-1/4 in
4	Glass retainer
5	Door gasket 3/4 x 84 in



4. INSTALLATION INSTRUCTIONS

Note: Authority having jurisdiction (such as the municipal building department, the fire department, the fire prevention bureau, etc.) must be consulted before installation to determine if a building permit is required.

CAUTION: Read these instructions carefully before starting the installation. Failure to follow these instructions may result in property damage, bodily harm and even death.

4.1 Location of the Fireplace

Select the appropriate location for the fireplace. The position of the fireplace should be selected on the basis of heat output, safety and esthetics.

Position the fireplace at the selected location, taking care of respecting the minimum clearances to combustible materials shown in Figure 15 on page 16.

The cutting of joists and rafters for floor, ceiling and roof chimney penetrations will affect the load bearing capacities of the dwelling structure. To determine whether additional support is required, consult a professional engineer. Improper cutting of chimney openings in the attic and roof will affect the bearing and thermal insulating capacity as well as the weather tightness of the dwelling. Incorrect workmanship must be avoided. Consult a professional engineer or a certified installer if needed.

If possible, select a location for the fireplace that will minimize the number of offsets in the chimney course. Offsets will reduce the draft, complicate the chimney sweeper’s work and increase installation costs. An installation drawing should be prepared prior to the installation work.

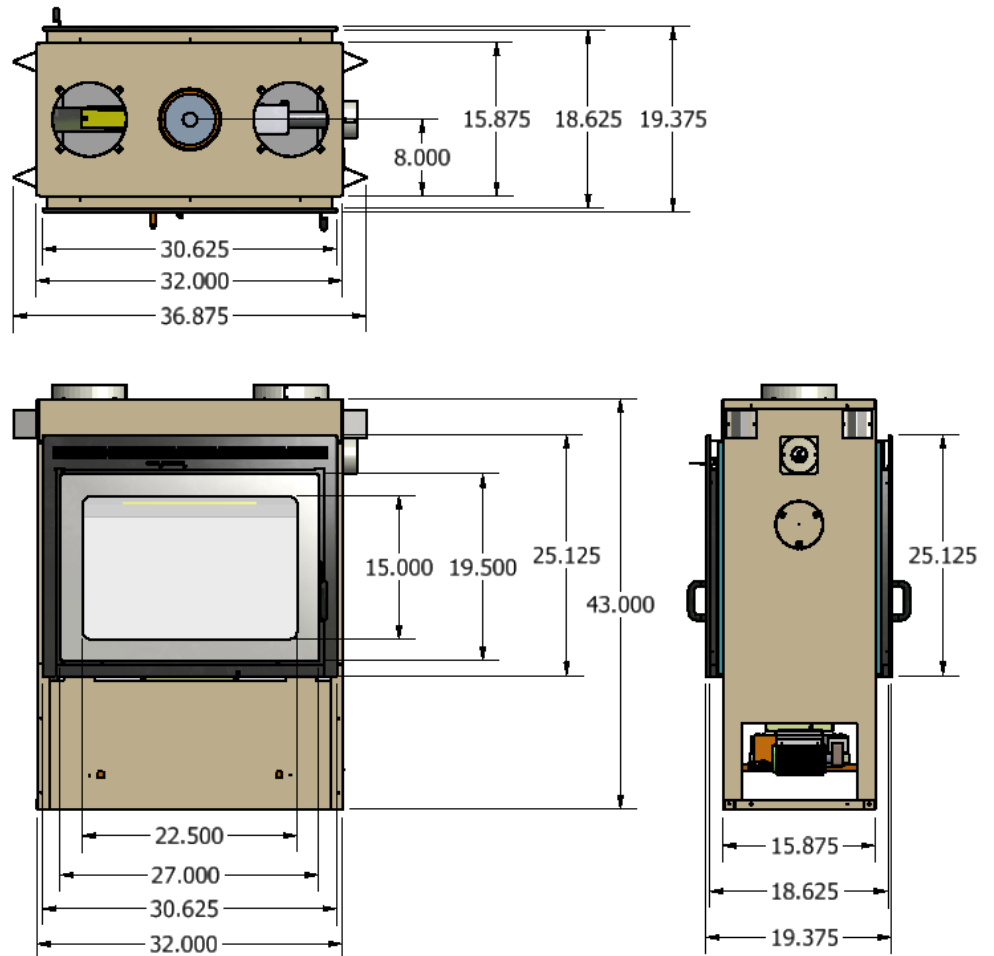
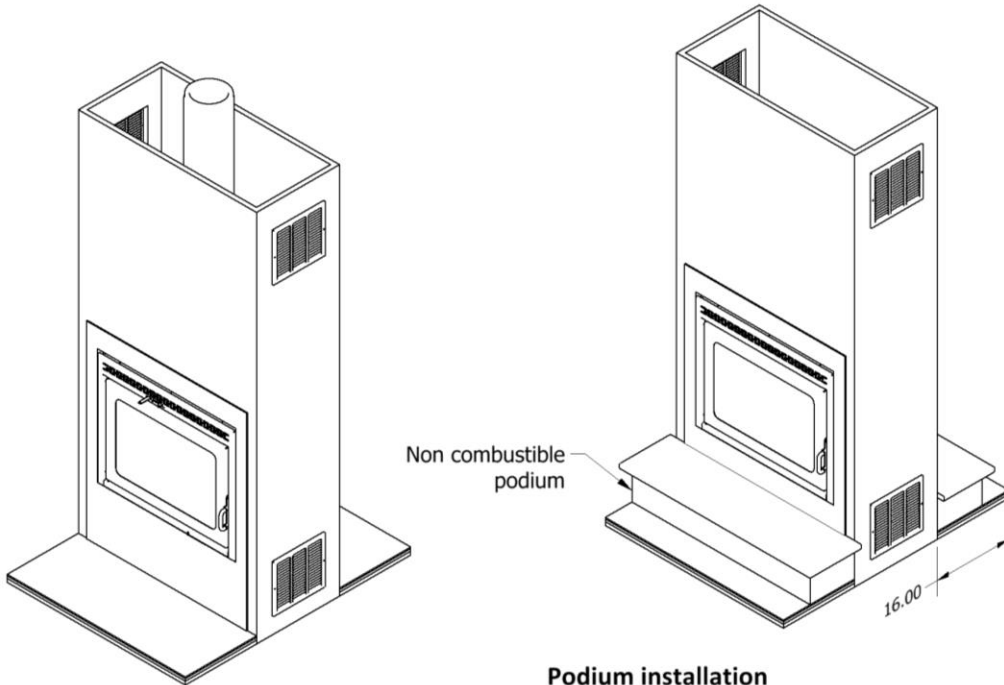


Figure 9 – Dimensions of the Duet

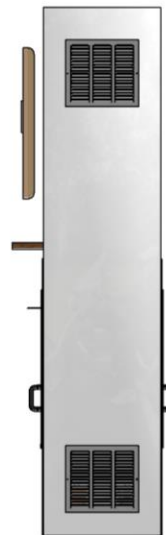
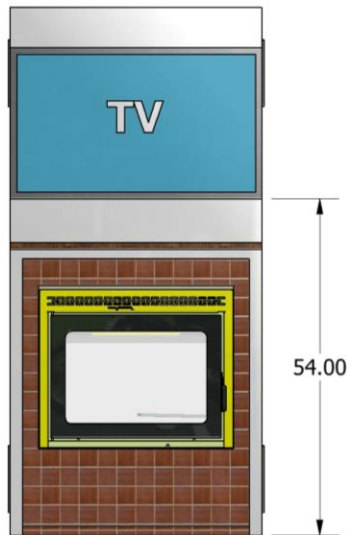
4.2 Installation configurations

The following illustrations are examples of the most common installations.

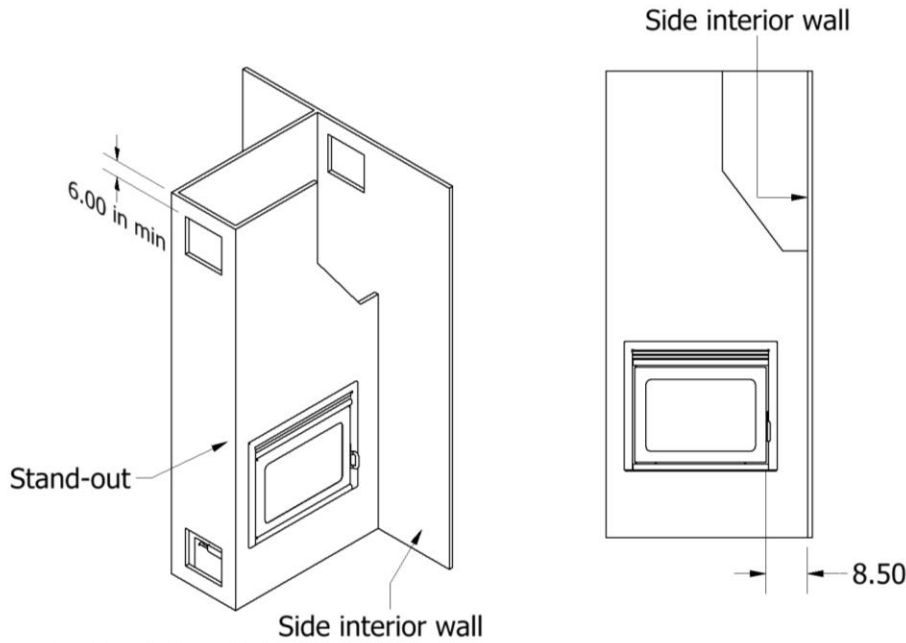


Free standing
 Two louvers are required on each side of the chase.

Podium installation
 The podium must be entirely constructed from non combustible materials.
 The minimum non combustible hearth extension including the podium must be 16 in.



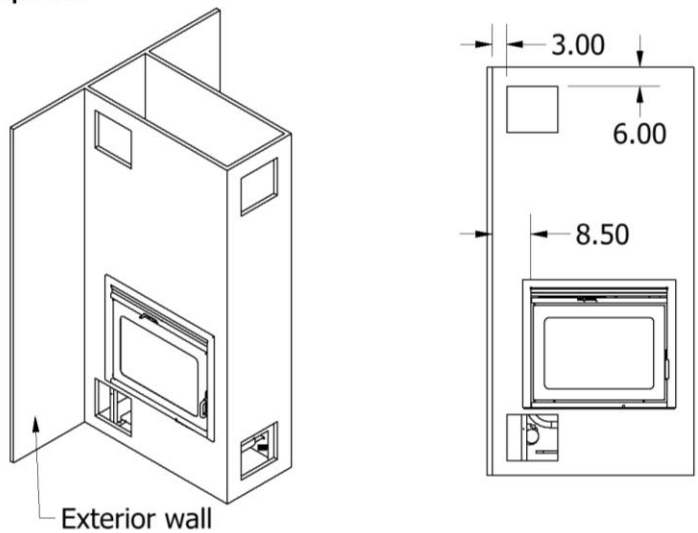
Flat screen television installation
 A flat screen television can be installed on the face of the fireplace. It is recommended to install a mantle or the header of a mantle to protect the television.
 The minimum height of the mantle is 44 in. The maximum width of the mantle at 44 in is 5 in.



Peninsula installation- Interior wall

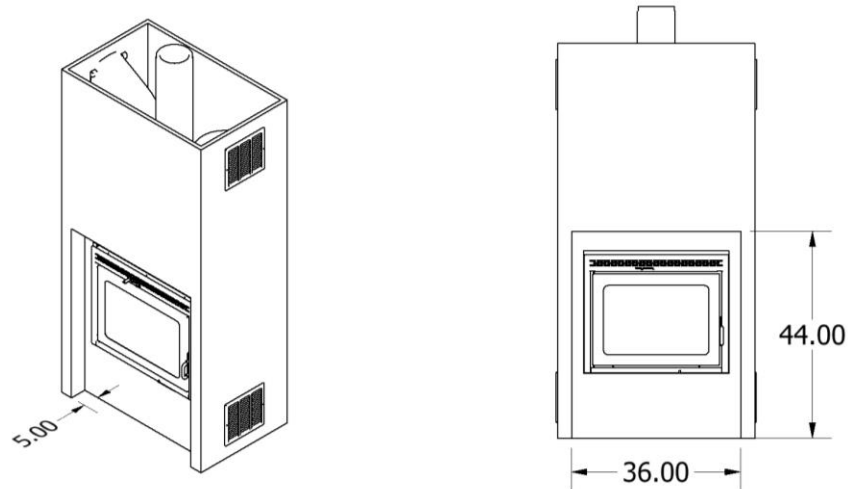
One side of the fireplace can be placed against an interior wall. The top and bottom louver can be installed on the interior wall. The minimum distance of the sidewall, measured from the fireplace door, must be 8.5 in.

Warning: Two inlet (bottom) and two outlet (top) openings are required.



Peninsula installation- Exterior wall

One side of the fireplace can be placed against an exterior wall. The top and bottom louver on the side of the exterior wall can be installed on the face of the chase. The minimum distance of the sidewall, measured from the fireplace door, must be 8.5 in.



Recessed installation

The chase can be recessed to a maximum depth of 5 in on each side.

The minimum size of the recess is 36 in wide by 44 in high measured from the base of the fireplace.

The recessed wall (36 x44) must be constructed of noncombustible materials.

4.2.1 4 Seasons Installation

The Duet can be installed with one side of the fireplace indoors and the other side outdoors.

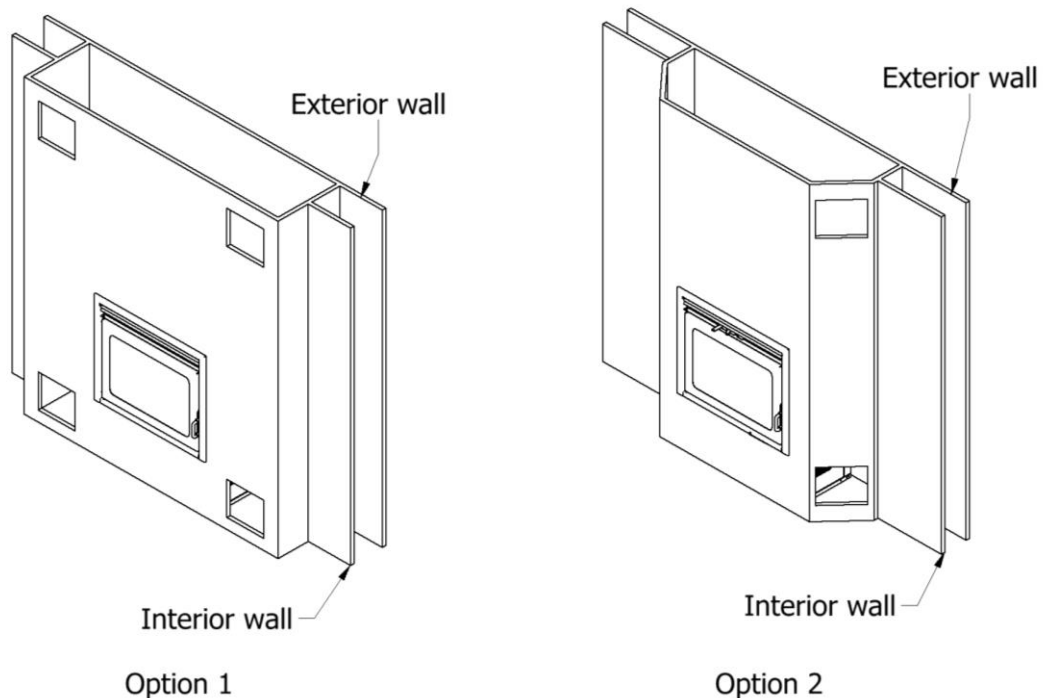


Figure 10 – 4 Seasons installation

In order to block the space above the firebox between both faces, the part #DT2317 must be installed:

1. Remove the door of the back face by opening it, lifting it and pulling it towards the bottom until the rod exits from the hinge holes; the front face is the face where the combustion air control is located.
2. Unscrew the four screws (two by side) and remove the back face.
3. Install the part #DT2317 with both tap screws #8 (Figure 11).

4. Install the back face.
5. Install the back door by inserting the hinges in their respective holes.

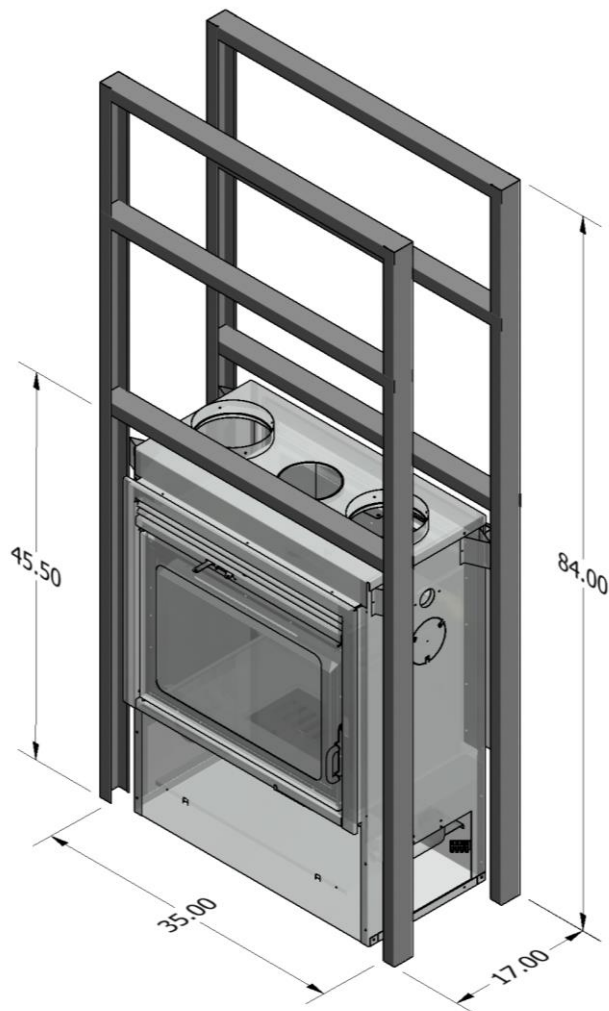


Figure 12 – Minimum Framing Dimensions

Note: Take into consideration the thickness of the finishing material that will be used.

4.2.2 Framing

The framing on the faces of the fireplace must be constructed with nominal 2" x 3" metal studs (see figure 12). The framing must be nailed or screwed onto the floor and to the ceiling. The fireplace should NOT be placed directly against, or be in contact with an insulation material.

WARNING: DO NOT NAIL OR SCREW FRAMING MEMBERS INTO THE FIREPLACE.

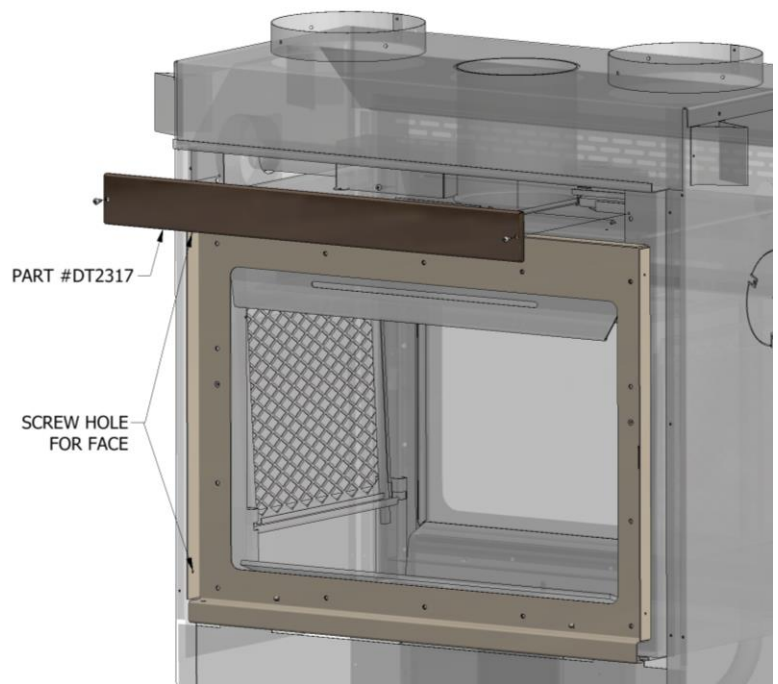


Figure 11 – Part #DT2317 installation

4.3 Gravity Kit Installation

Gravity Kit Installation Rules:

- Two hot air gravity ducts must be installed.
- The two hot air grilles can be installed in the same or in different rooms from each other. If the grilles are installed at different heights, more heat will be distributed to the highest one.
- Two openings are required at the lower part of the chase for the entry of the circulating air.
- Each opening must have an area no less than 100 square inches.

WARNINGS:

- The hot air grilles of the Gravity Kit should be at least 68 inches from the floor and the ducting should have a maximum length of 10 feet (see figure 13).
- Make certain that each exit grill has a minimum circulating area of 60 square inches.
- The hot air ducts should never extend downwards; only horizontally or upwards.
- The hot air ducts must not be connected to a central heating system.
- The hot air ducts must be insulated.
- Do not make the chase unnecessarily small. Be sure that the air entry through the chase can easily flow to the entry at the openings at the lower part on the sides of the fireplace.

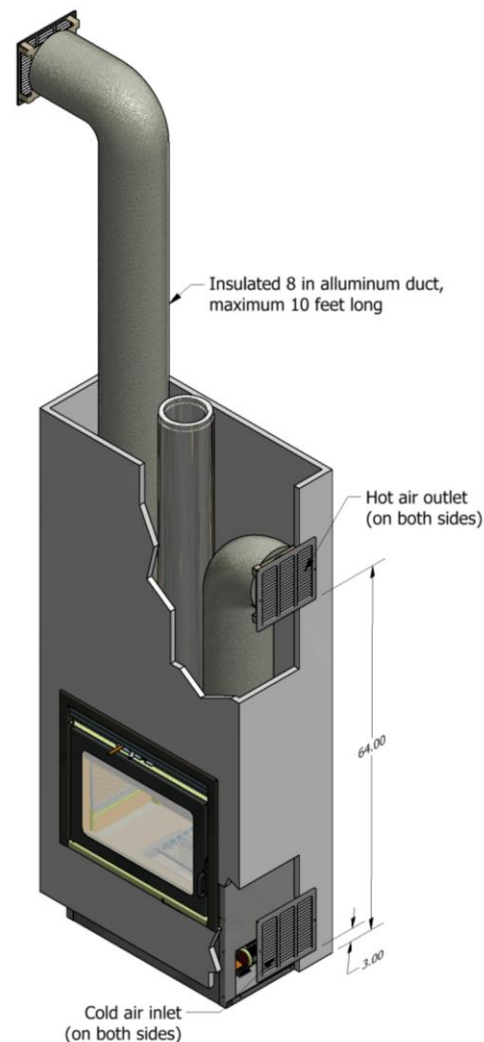


Figure 13 – Gravity kit installation

4.4 The Hearth Extension

The minimum dimensions of the hearth extension are specified in figure 13. The hearth extension is to be covered with non-combustible materials only, such as steel, cement or mortar, stone, brick, ceramic tiles. Unidentified materials may be combustible: verify the product specifications prior to installation.

The hearth extension must extend a minimum of 16 inches measured from the door of the fireplace and extended all the way back to the fireplace.

WARNING: The hearth extension is to be installed only as illustrated in figure 14. The hearth extension should extend a minimum of 16 inches from the fireplace door.

Make sure to seal the gap between each fireplace face and the hearth extension with a metal strip or a sand-cement grout in order to prevent sparks or embers from reaching combustible materials.

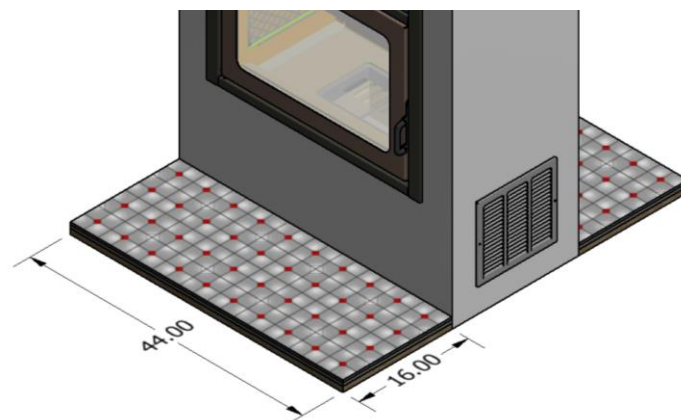
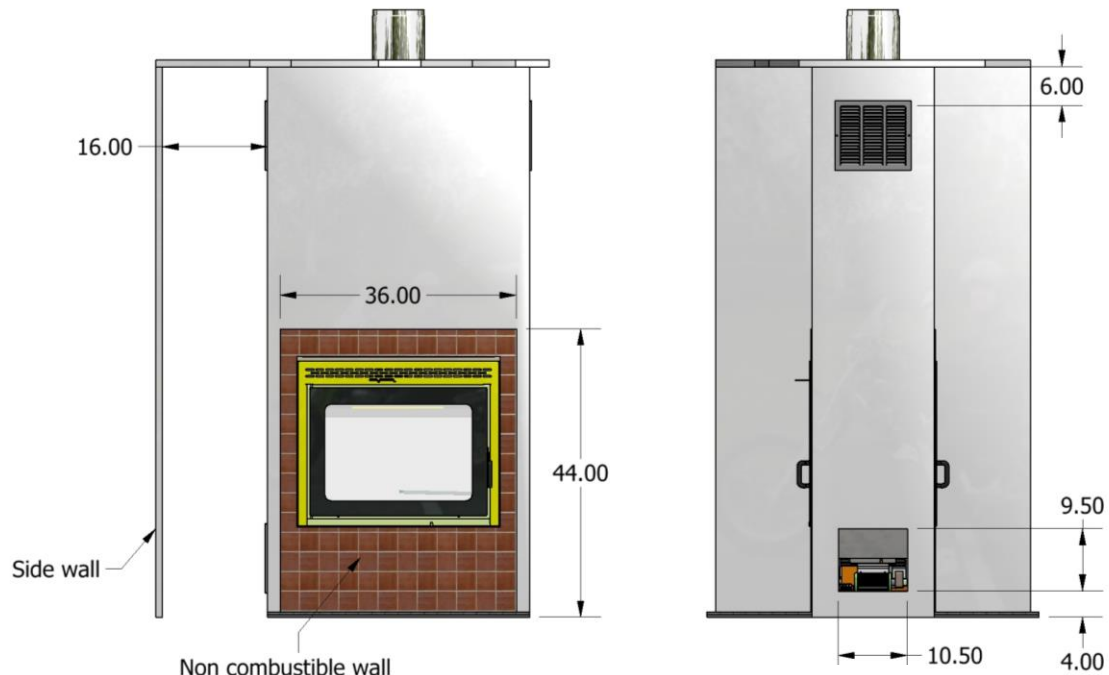


Figure 14 – Hearth extension

4.5 Clearances to Combustibles

The clearances to combustibles indicated in the Figure 15 below must be respected. Failing to do so can result in a fire or safety hazard.

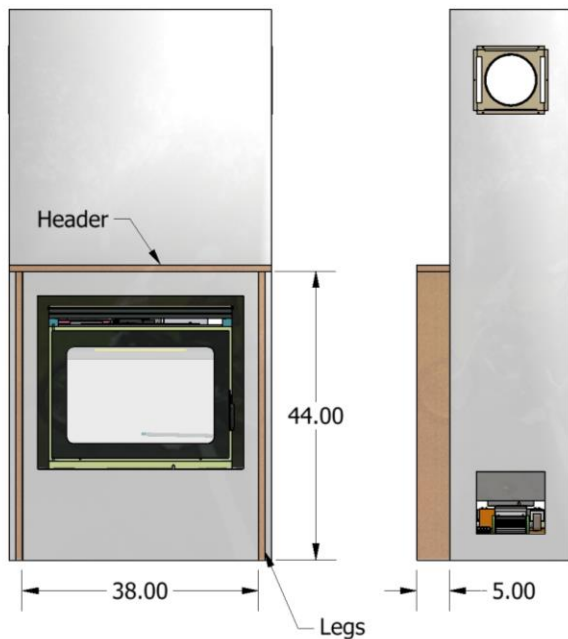


Non combustible wall 36 x 44 in minimum. **Figure 15 – Clearances to Combustibles**

General notes:

- The distance between the top louver and the sidewall is 16 in.
- The shaded area must be non combustible.
- The minimum distance between the top louver and ceiling must be 6 in.
- The minimum distance of the top louver, measured from the floor, is 64 in.

WARNING: Combustible materials such as curtains must be a minimum of 60 in from the hot air louver as well as from the face of the fireplace.



Mantle installation

- The minimum distance between the legs of the mantle is 38 in.
- The maximum depth of the legs is 5 in.
- The maximum header depth at 44 in from the floor is 5 in.

Rule: For every inch the height of the header is increased the depth can be increased by the same amount.

Example: If the height of the header is 46 (44+2) in the depth can be 7 (5+2) in.

NOTE: Material that is non-combustible may protrude around the fireplace.

Clearances to the front of the fireplace:

The minimum distance between the front of the fireplace and any combustible material is 5 feet, (152 cm).

Do not place such materials within this minimum distance in order to reduce risk of fire.

4.6 Blower Kit Installation

A blower kit is supplied with the Duet fireplace. It includes two 125 cfm blowers. A variable speed control and a heat sensory thermodisk also come standard with the Duet. Do not install a substitute kit as this may result in overheating and risk of fire. The location of the blowers is shown in figure 16 and the blower kit wiring in Figure 17. The electric power must be 115 volts. The speed control must be placed in a convenient place near the fireplace.

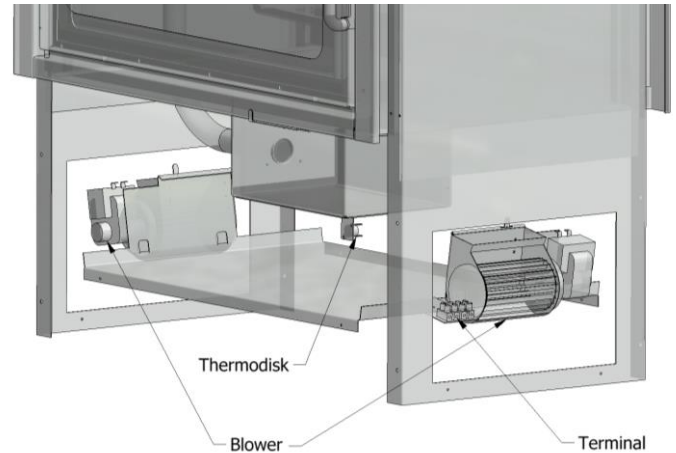


Figure 16 – Blower Kit Location

Note: All electrical connections must be made by a qualified electrician.

Once all the appropriate connections have been made, the blowers should turn on and turn off automatically. When the fireplace gets hot and the thermodisk reaches 95°F, the blowers will turn on. The average time it takes for the blowers to activate is 30 to 45 minutes after starting a fire the recommended way as explained in section 2.4. The blowers will turn off once the fireplace has cooled down and the thermodisk is 85°F. The speed of the blowers can be adjusted with the variable speed control mounted on the wall. The Duet can also be used with the blowers turned off or in the occurrence of a power failure.

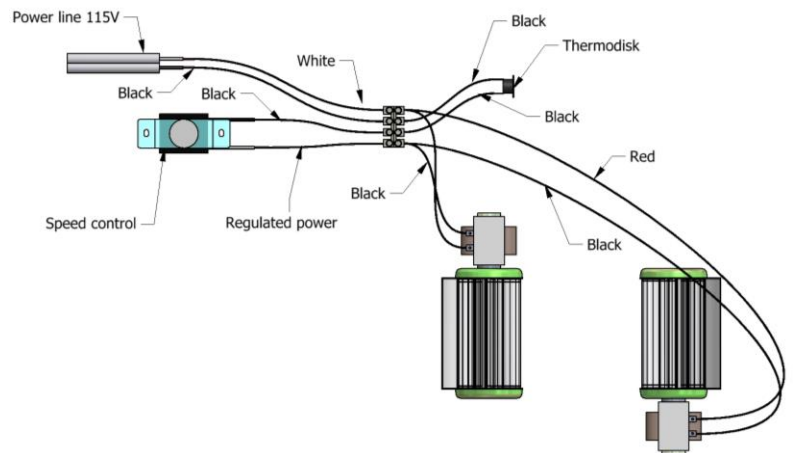


Figure 17 – Blower Kit Wiring

4.7 Chimney Installation

The use of a 6” listed UL 103/ULC S629 approved chimney is required.

NOTE: The fireplace can be installed with a 7 inch chimney as long as there is a 6 inch to 7 inch adaptor installed. The adaptor must be of the same chimney brand. Do not mix chimney parts of different brands.

WARNING: When connecting the fireplace to an existing chimney, inspect thoroughly the installation of the existing chimney, verify that the installation conforms to the chimney manufacturer’s requirements and the chimney is in good condition.

NOTE: In most cases, it is preferable to replace the existing chimney. Do not take unnecessary risks.

WARNING: Always respect the minimum clearances to combustibles. A 2 inch minimum clearance is required for prefabricated chimneys.

4.7.1 General Rules

CAUTION: Follow the chimney manufacturer’s instructions for correct chimney installation, unless otherwise specified in these instructions.

- Installing an interior chimney system will provide optimal performance. Exterior chimney systems may cause drafting issues and an increased creosote buildup rate.
- The height of the chimney, including the fireplace, must be between 15 and 35 feet.

- The chimney must be connected only to the fireplace to be installed: it must not be connected to any other appliance.
- Portions of the chimney that extend through accessible spaces shall be enclosed by an enclosure.
- The clearance between the chimney and any combustible material must not be less than 2 in.: this free space must not be filled with insulation or any other material.
- At least one support must be incorporated in the chimney installation.
- A fire stop is required at each joist where the chimney goes through a ceiling or floor and through a wall.
- Avoid deviations whenever possible. Deviations (especially more pronounced deviations) may cause drafting issues.
- The chimney shall extend at least 3 ft above its point of contact with the roof and at least 2 ft higher than any wall, roof or adjacent building within a radius of 10 ft.
- If the chimney extends 5 feet or more above the contact point with the roof, a roof brace must secure it in place.
- A rain cap must be installed on the top of the chimney in order to avoid internal damage and corrosion.
- Always start with a 6” anchor plate from your fireplace.
- For clearances to combustibles when installing a combustible chase enclosure for above roof chimney sections, consult with the chimney manufacturer.

Obtain the chimney installation instructions from your vendor, prior to the installation of the chimney. The chimney installation must comply with the chimney manufacturer's instructions, unless otherwise noted in these instructions. An anchor plate, supplied by the chimney manufacturer, must be fixed on the fireplace top with four self-tapping screws. The connection of the chimney to the fireplace is done by installing the first chimney section (or an elbow) to the anchor plate.

4.7.2 Reference Table of Listed UL 103/ULC S629 Chimneys

Note: The Table 1 is for reference only. Other models can be used as long as they are listed to UL 103/ULC S629 standards.

Table 1 – List of Approved Chimneys

Manufacturer	Models
ICC	<ul style="list-style-type: none"> • Excel 2100, 1” Solid Pack, 6” inner diameter
Security Chimney	<ul style="list-style-type: none"> • ASHT+, 1” Solid Pack, 6” inner diameter • S-2100+, 2” Solid Pack, 6” inner diameter
FMI (US only)	<ul style="list-style-type: none"> • AC, AC Triple Wall, 6” inner diameter
Selkirk	<ul style="list-style-type: none"> • Super Pro (SPR) , 1” Solid Pack, 6” inner diameter • Super Pro 2100 (ALT) , 2” Solid Pack, 6” inner diameter • Hart & Cooley (TLC) , 1” Solid Pack, 6” inner diameter • Sure-Temp (ST) , 1” Solid Pack, 6” inner diameter • Super Vent (JSC) , 1” Solid Pack, 6” inner diameter • Super Vent 2100 (JM) , 2” Solid Pack, 6” inner diameter • Ultra-Temp (UT) , 1” Solid Pack, 6” inner diameter • UltimateOne, 1” Solid Pack, 6” inner diameter • CF Sentinel (CF) , 2” Solid Pack, 6” inner diameter
Simpson Dura-Vent	<ul style="list-style-type: none"> • Dura Tech, 1” Solid Pack, 6” inner diameter • Dura Plus HTC, 2” Solid Pack, 6” inner diameter • Dura Plus, AC Triple Wall, 6” inner diameter
Metal Fab	<ul style="list-style-type: none"> • Temp Guard, 1” Solid Pack, 6” inner diameter
American Metal	<ul style="list-style-type: none"> • HS, AC Triple Wall, 6” inner diameter • HSS, AC Triple Wall, 6” inner diameter
Olympia Chimney	<ul style="list-style-type: none"> • Ventis, 1” Solid Pack, 6” inner diameter

4.7.3 Chimney Installation Instructions

1. Square holes providing a 2" minimum clearance to combustibles from the chimney must be cut and framed in all ceilings, roof and floors that the chimney will pass through.
2. Install a firestop from below in every ceiling/floor division through which the chimney passes. An attic radiation shield must be installed from above at the attic level.
3. Install the anchor plate supplied by the chimney manufacturer on the top of the fireplace.
4. Consult the chimney manufacturer's installation instructions and install the chimney lengths. Lock each length in place.
5. Install the appropriate firestop each time the chimney passes through a wall or ceiling.
6. Install the roof support once the desired height is reached.
7. Position the roof flashing. For sloping roofs, slide the top edge of the flashing under the shingles. At least half of the flashing should be under the shingles and the lower end over the shingles. Seal the joint between the roof and the flashing with roofing cement or silicone. Fix the flashing to the roof with roofing nails.
8. Over the flashing, install the storm collar by tightening the bolt that is supplied. Seal the joint using silicone caulking between the chimney and the storm collar.
9. Install the chimney rain cap.

WARNING: Do not seal or caulk the ventilating openings when installing a ventilated roof flashing.

4.7.4 Typical Chimney Installations

The figure 18 is an example of typical chimney installations. Your installation may be different from this figure.

4.7.5 Offset Installation

In order to avoid obstacles or to extend the chimney outside, it is possible to offset the aforementioned by using elbows (see figure 18).

- A maximum of two offsets (2 elbows per offset) is permitted.
- The allowable maximum deviation is 45° in Canada and 30° in the US.
- Secure the chimney parts according to the instructions given by the chimney manufacturer.
- A support strap, a wall or a roof support must be installed above each offset in order to support the vertical length of the chimney above the offset.
- The chimney must extend vertically through a ceiling/floor. Do not install elbows in this area.
- Use a support on the first 15 foot section.

To install an elbow:

1. Turn the elbow in the direction needed and secure it to the chimney by following the chimney manufacturer's instructions.
2. Follow the chimney manufacturer's instructions to install the chimney lengths necessary for the offset.
3. Secure a second elbow to turn the chimney in the vertical position.
4. Cut and frame a hole in the ceiling and floor to allow the chimney to pass through.
5. Install a firestop from below.

N.B.: Always install a ventilated flashing and a roof firestop, unless it is otherwise specified by the chimney manufacturer.

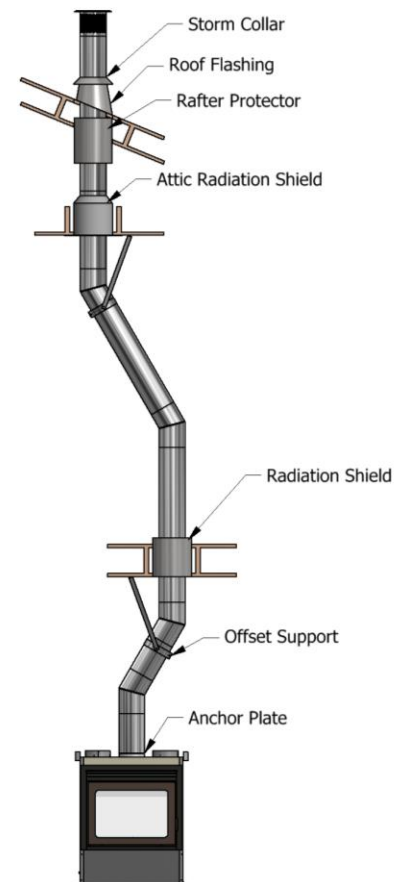


Figure 18 – Typical Chimney Installation

4.7.6 Angled Wall Radiation Shield

The chimney can pass through a wall at an angle of 30° or 45° in Canada and 30° in the United States. For installations requiring the chimney to pass through a combustible wall, a wall radiation shield or an angled firestop must be installed. The wall radiation shield or the angled firestop used is provided by the chimney manufacturer and must be installed according to the chimney manufacturer's instructions. Using a wall radiation shield that is insulated is recommended for colder climates.

4.7.7 Connection to a Masonry Chimney

The Duet fireplace can be connected to a masonry chimney. The masonry chimney must comply with the national and local building codes.

A stainless steel liner of 6 in. diameter, complying with the standard ULC-S635-M2000 in Canada or UL-1777 in the US, must be installed in the chimney. The liner must be continuous and its installation must comply with the manufacturer's instructions.

An insulated chimney from the model specified in Table 1 must extend from the fireplace to at least 3 in. inside the masonry chimney and connect to the chimney liner. Use the liner connector designed by SUPREME as shown in figure 19.

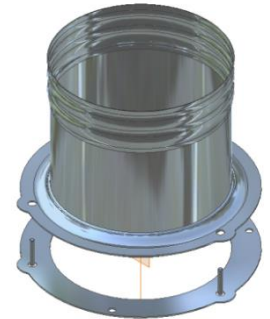


Figure 19 – Liner Connector

General notes:

Before the installation, the masonry chimney must be inspected by authority having jurisdiction to determine the following:

- If the chimney is constructed in accordance with local building codes and the national building code.
- If it has been thoroughly cleaned and inspected and determine if it is in good condition. Repairs must be done if necessary.
- That the chimney is not shared with other appliances such as a furnace, a hot water heater or another fireplace.
- That the flue of the chimney is of adequate size for the fireplace to be installed.
- The fireplace must be placed as close as possible to the existing chimney.
- The minimum clearances to combustibles as stated in the owner's manual must be respected.
- Elbows can be used to deviate and enter the masonry chimney when possible as shown in figure 20.
- The allowable maximum deviation is 45° in Canada and 30° in the US.
- The prefabricated chimney and the liner must be installed according to the manufacturer's instructions.

Installation:

1. Install the anchor plate on the top of the fireplace.
2. Place the fireplace at the desired location.
3. Install elbows, if required.
4. Mark where the prefabricated chimney will penetrate the masonry chimney.
5. Remove the fireplace so it will be easier to work.
6. Make a hole to the required size so the prefabricated chimney can be inserted freely in the masonry chimney.
7. Fix with three self-tapping screws the flange holder (aligned with the center of the prefabricated chimney) on the upper end of the elbow (or tee) to be connected to the liner.
8. Place and level the fireplace at the desired location.
9. Install fire stops if you are penetrating a combustible wall.
10. Install the required elbows and chimney lengths to the center of the masonry chimney.
11. Insert at least one inch of the lower end of the liner in the slightly expanded end of the liner connector and fix them with three self-tapping screws #8: make sure the connector flange is already inserted around the liner connector.
12. Bring the liner down from the top of the masonry chimney and insert the liner connector in the upper end of the prefabricated chimney.
13. Align the holes of the connector flange with the threaded studs of the flange holder, and secure the connection with the wing nuts.
14. Using refractory cement that is resistant to high temperatures, close up the opening around the prefabricated chimney.

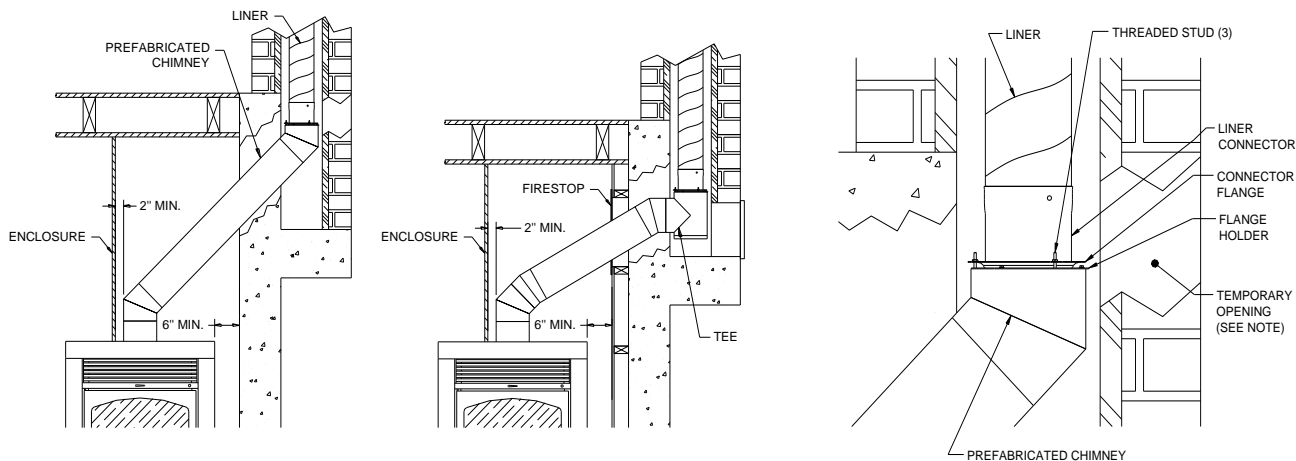


Figure 20 – Connection to a Masonry Chimney

NOTE: It might be necessary to create a small temporary opening in the side of the chimney to facilitate the connection of the liner to the prefabricated chimney. Close this opening after the installation is completed with refractory materials.

5. OPTIONS

5.1 Fresh Air Kit

NOTE: The fresh air kit is an optional component. The fireplace is designed to use a minimum amount of air when it is operational. When the fireplace is not in use, there is no air from the house escaping to the chimney.

Do not install the fresh air kit unless it is required by the local authority, state authority or any other authority having jurisdiction on this matter.

Sufficient air exchange is necessary for the fireplace to operate properly. Air is required in order to maintain the combustion of the fireplace. If the house is airtight, the fireplace may not function properly. If the fireplace is deprived of air, it will be necessary to provide a source of fresh air into the dwelling. This may be done by using an air exchanger unit or simply by opening a window or a door near the fireplace partially for a few minutes. Consult local authority having jurisdiction (such as the fire department, the municipal building department, the fire prevention bureau) to determine if it is mandatory to install a fresh air kit in your area.

General notes:

The outside air kit should be installed according to the following guidelines.

- The air duct must be insulated and have a 4 inch inside diameter.
- The length of the air duct should be as short as possible.
- Fresh air must come from the outside and not from another room or the attic.
- The outside register must be away from automobile exhaust fumes, gas meters or other vents.
- Avoid installing the air register where it will likely be covered by snow or exposed to strong winds.
- The air register could be installed above or below the level where the fireplace is installed.
- Use the Supreme Fresh Air Kit (part # **UPEA4**) or any other fresh air kit with the same specifications and intended for fireplace use.

Installation:

- Make a 4 ½ in. hole in the outside wall at the chosen location.

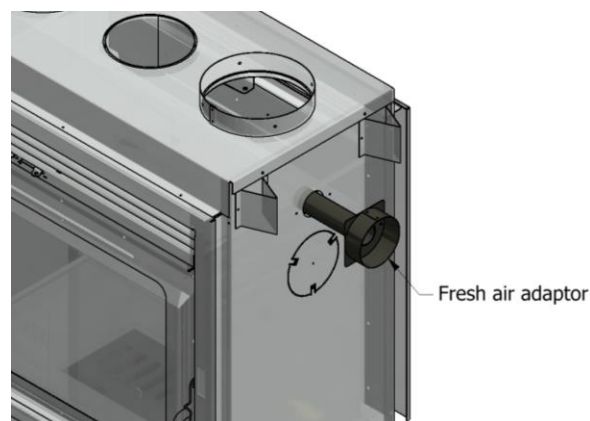


Figure 21 – Fresh Air Adaptor

- Install the air register.
- Remove the flange from the side of the fireplace.
- Insert the fresh air adaptor GY2330 (see figure 21).
- Secure the fresh air adaptor to the side of the fireplace using sheet metal screws.
- Install the air duct and secure it with duct clamps.



5.2 Removable Ash Lip

The removable ash lip is an accessory that comes with the Duet and is designed to prevent ashes from falling onto the hearth extension. Beneath the opening of the firebox, there are two metal tacks that support the ash lip in place.

Figure 22 – Removable Ash Lip

5.3 Hot Air System

The air duct system is an optional kit intended to bring warm air to remote area of the same room or to rooms other than the room where the fireplace is installed. It is possible to install up to two air ducts.

Note that the hot air duct must be insulated and approved for temperatures of at least 210 °F.

WARNINGS:

1. The blower must not be installed in the fireplace casing.
2. When the hot air duct passes through the chase of the fireplace, the minimum distances to combustible materials must be respected. The duct must be secured to prevent accidental displacement.
3. The minimum distance between the blower and the fireplace is 3 feet.
4. Do not use a speed control for the blower.

Installation

To install the hot air system:

2. Knock on a knockout of the fireplace to clear an opening (Figure 23)
3. Install the fireplace duct connector item #5 on the side of the fireplace. Secure with four screws.
4. Choose the room in which the hot air is desired to flow through. Cut an opening of 6 in. x 7.5 in.
5. Find a suitable location to install the blower (item #2).
6. Install the wall-duct connector (item #7).
7. Install the air duct and secure it with a clamp (item #4).
8. Install the wall grill (item #6).
9. Make the electrical connections. The electric power must be 115 volts.

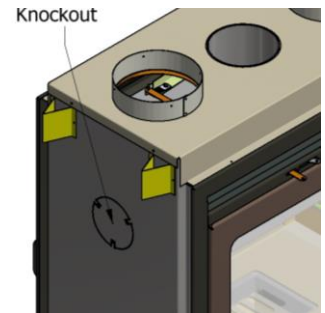
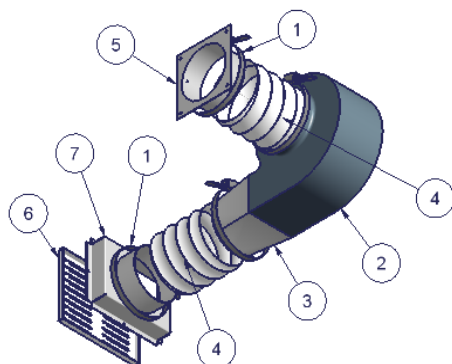


Figure 23 – Knockout

CAUTION: Only remove the knockouts where the air duct will be installed. Removing a knockout without installing an air duct could compromise the safety of your fireplace.

WARNING: If the grill is installed near a wall, the grill openings must be positioned in such a way to direct hot air away from the wall.



Parts list			
ITEM	QTY	PART #	DESCRIPTION
1	4	CLP	Clamp
2	1	701710	Blower
3	1	BLC	Blower-Duct Connector
4	2	UCAC5	Hot Air Duct
5	1	FCD	Fireplace-Duct Connector
6	1	HAG	Hot Air Grill
7	1	WDC	Wall-Duct Connector

Figure 24 – Hot Air System



6. REPLACEMENT PARTS

CODE	DESCRIPTION	ITEM
PAD4000	Combustion Air Control	
DOSP1051	Pyroceramic Glass for Duet 17 x 24 1/4	
POI	Wooden Door Handle	
MVD	Fan	
THE	Thermodisk	
CV	Fan Speed Control	
DOSP1071	Door Gasket Rope 5/8" x 7'	
DOSP1061	Glass Gasket Rope 3/8" x 7'	

SPECIFICATION OF ELECTRIC COMPONENTS:

PART No	DESCRIPTION	SPECIFICATION	CERTIFICATION
KBWC-13K	Motor speed control	2.5 Amps- 120V.A.C	CSA, RJ US
36T22	Thermo-disk	F100-15, 120V.A.C , 15A	UL, CSA
BL1000	Blower	.2 Amps -120 V.A.C, 60 HZ	UL, CSA

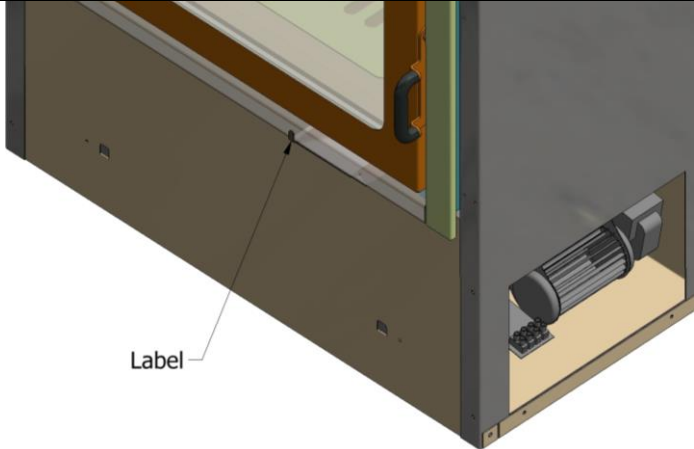
7. LABELS

	Conforms to/Conforme à: UL-127 Certified to/Certifié selon: ULC S610 M87 December 2013/Décembre 2013 ENVIRONMENTAL PROTECTION AGENCY CERTIFIED / CERTIFIÉ PAR L'AGENCE DE LA PROTECTION DE L'ENVIRONNEMENT	LISTED FACTORY BUILT FIREPLACE FOYER PRÉFABRIQUÉ HOMOLOGUÉ MODEL/MODÈLE: DUET/4 SEASONS DATE MANUFACTURED/DATE DE FABRICATION 1 2 3 4 5 6 7 8 9 10 11 12 2013-14-15-16-17-18-19-20	 MADE IN CANADA/FABRIQUÉ AU CANADA
---	---	--	--

<u>MINIMUM CLEARANCES TO COMBUSTIBLES</u>	<u>DÉGAGEMENTS MINIMUMS AUX COMBUSTIBLES</u>																								
<table style="width:100%; border-collapse: collapse;"> <tr> <td style="width:40%;">FIREPLACE OPENING TO SIDEWALLS</td> <td style="width:60%;">8 1/2 IN. (216 MM)</td> </tr> <tr> <td>SIDEWALL TO HOT AIR GRILLES</td> <td>16 IN. (406 MM)</td> </tr> <tr> <td>MANTLE HEIGHT SEE OW NER'S MANUAL</td> <td></td> </tr> <tr> <td>SIDES AND BOTTOM FROM THE STANDOFFS</td> <td>0 IN. (0 MM)</td> </tr> <tr> <td>CHIMNEY</td> <td>2 IN. (51 MM)</td> </tr> <tr> <td>MANTLE LEGS MEASURED FROM THE SIDE OF THE DOOR SEE OWNER'S MANUAL</td> <td>5 IN. (127 MM)</td> </tr> </table>	FIREPLACE OPENING TO SIDEWALLS	8 1/2 IN. (216 MM)	SIDEWALL TO HOT AIR GRILLES	16 IN. (406 MM)	MANTLE HEIGHT SEE OW NER'S MANUAL		SIDES AND BOTTOM FROM THE STANDOFFS	0 IN. (0 MM)	CHIMNEY	2 IN. (51 MM)	MANTLE LEGS MEASURED FROM THE SIDE OF THE DOOR SEE OWNER'S MANUAL	5 IN. (127 MM)	<table style="width:100%; border-collapse: collapse;"> <tr> <td style="width:40%;">MUR LATÉRAL À PARTIR DU CÔTÉ DE LA PORTE</td> <td style="width:60%;">8 1/2 PO (216 MM)</td> </tr> <tr> <td>MUR LATÉRAL À PARTIR DES GRILLES D'AIR CHAUD</td> <td>16 PO (406 MM)</td> </tr> <tr> <td>HAUTEUR DE LA TABLETTE VOIR MANUEL DU PROPRIÉTAIRE</td> <td></td> </tr> <tr> <td>CÔTÉS ET BASE</td> <td>0 PO (0 MM)</td> </tr> <tr> <td>CHEMINÉE</td> <td>2 PO (51 MM)</td> </tr> <tr> <td>PATTES DU MANTEAU MESURÉES DE LA PORTE VOIR MANUEL DU PROPRIÉTAIRE</td> <td>5 PO (127MM)</td> </tr> </table>	MUR LATÉRAL À PARTIR DU CÔTÉ DE LA PORTE	8 1/2 PO (216 MM)	MUR LATÉRAL À PARTIR DES GRILLES D'AIR CHAUD	16 PO (406 MM)	HAUTEUR DE LA TABLETTE VOIR MANUEL DU PROPRIÉTAIRE		CÔTÉS ET BASE	0 PO (0 MM)	CHEMINÉE	2 PO (51 MM)	PATTES DU MANTEAU MESURÉES DE LA PORTE VOIR MANUEL DU PROPRIÉTAIRE	5 PO (127MM)
FIREPLACE OPENING TO SIDEWALLS	8 1/2 IN. (216 MM)																								
SIDEWALL TO HOT AIR GRILLES	16 IN. (406 MM)																								
MANTLE HEIGHT SEE OW NER'S MANUAL																									
SIDES AND BOTTOM FROM THE STANDOFFS	0 IN. (0 MM)																								
CHIMNEY	2 IN. (51 MM)																								
MANTLE LEGS MEASURED FROM THE SIDE OF THE DOOR SEE OWNER'S MANUAL	5 IN. (127 MM)																								
MUR LATÉRAL À PARTIR DU CÔTÉ DE LA PORTE	8 1/2 PO (216 MM)																								
MUR LATÉRAL À PARTIR DES GRILLES D'AIR CHAUD	16 PO (406 MM)																								
HAUTEUR DE LA TABLETTE VOIR MANUEL DU PROPRIÉTAIRE																									
CÔTÉS ET BASE	0 PO (0 MM)																								
CHEMINÉE	2 PO (51 MM)																								
PATTES DU MANTEAU MESURÉES DE LA PORTE VOIR MANUEL DU PROPRIÉTAIRE	5 PO (127MM)																								

- FOR USE WITH WOOD ONLY, DO NOT USE OTHER FUELS.
- USE ONLY IN ACCORDANCE WITH MAUFACTURER'S INSTALLATION AND OPERATING INSTRUCTIONS.
- NOT SUITABLE FOR MANUFACTURED OR MOBILE HOMES.
- A NON-COMBUSTIBLE HEARTH EXTENSION OF MINIMUM THICKNESS 8 MM (5/16 IN.), EXCEEDING 406 MM (16 IN.) FROM THE DOOR FACE AND OF 200 MM (8 IN.) FROM EACH SIDE OF EACH DOOR MUST BE INSTALLED.
- USE ONLY WITH 6 IN. (152 MM) DIAMETER CHIMNEY LISTED UL 103/ULC S629.
- MINIMUM/MAXIMUM CHIMNEY HEIGHT 15/35 FEET MEASURED FROM THE BASE OF THE FIREPLACE.
- CAN BE CONNECTED TO A MASONRY CHIMNEY. SEE OWNER'S MANUAL FOR INSTALLATION INSTRUCTIONS.
- DO NOT CONNECT THIS UNIT TO A CHIMNEY SERVING ANOTHER APPLIANCE.
- DO NOT INSTALL A FIREPLACE INSERT OR ANY OTHER COMPONENTS FOR USE WITH THIS PRODUCT.
- FOR CLOSED DOOR OPERATION ONLY.
- DO NOT OVERFIRE THE UNIT. IF HEATER OR CHIMNEY CONNECTER GLOWS, YOU ARE OVERFIRING.
- ELECTRICAL RATINGS 120 V, 1.1 A, 60 HZ.
- REPLACE GLASS WITH CERAMIC 5 MM THICK ONLY.
- CAUTION: AIR IS NECESSARY FOR FIREPLACE OPERATION. PRIMARY AND SECONDARY COMBUSTION AIR OPENINGS MUST NOT BE OBSTRUCTED.
- WARNING: THIS FIREPLACE HAS NOT BEEN TESTED WITH AN UNVENTED GAS LOG SET. TO REDUCE THE RISK OF FIRE OR INJURY, DO NOT INSTALL AN UNVENTED GAS LOG SET INTO THE FIREPLACE.
- CONTACT LOCAL BUILDING CODE OR FIRE OFFICIALS ABOUT RESTRICTIONS AND INSTALLATION INSPECTION IN YOUR AREA.
- THE FIREPLACE AND CHIMNEY MUST BE INSPECTED AND CLEANED REGULARLY.
- THE HEARTH EXTENSION MUST BE CONSTRUCTED ACCORDING TO MANUFACTURER'S INSTRUCTIONS. REFER TO THE OWNER'S MANUAL FOR DETAILS.
- THE HOT AIR DUCT SYSTEM MUST BE INSTALLED ACCORDING TO MANUFACTURER'S INSTRUCTIONS. REFER TO THE OWNER'S MANUAL

- POUR UTILISATION AVEC BOIS SEULEMENT, NE PAS UTILISER AVEC D'AUTRES COMBUSTIBLES.
- INSTALLER ET UTILISER CONFORMÉMENT AU MANUEL D'UTILISATION DU FABRICANT.
- NE CONVIENT PAS AUX MAISONS MOBILES OU PRÉFABRIQUÉES.
- UN PROLONGEMENT DE L'ÂTRE AYANT UNE ÉPAISSEUR DE 8 MM (5/16 PO) MINIMUM, EXCÉDANT DE 406 MM (16 PO) LE DEVANT DE CHAQUE PORTE, ET DE 200 MM (8 PO) DE CHAQUE CÔTÉ DE CHACUNE DES PORTES DOIT ÊTRE INSTALLÉ.
- UTILISER SEULEMENT AVEC UNE CHEMINÉE HOMOLOGUÉE DE 6 PO. (152 MM) PARM LA LISTE DU MANUEL DU PROPRIÉTAIRE.
- PEUT ÊTRE CONNECTÉ À UNE CHEMINÉE DE MAÇONNERIE. VOIR LE MANUEL DU PROPRIÉTAIRE POUR INSTRUCTIONS.
- NE PAS RACCORDER CET APPAREIL À UNE CHEMINÉE DESSERVANT UN AUTRE APPAREIL.
- NE PAS UTILISER UN FOYER ENCASTRABLE NI D'AUTRES COMPOSANTES POUR UTILISATION AVEC CE FOYER.
- POUR OPÉRATION AVEC PORTE FERMÉE SEULEMENT.
- NE PAS SURCHAUFFER L'UNITÉ. SI L'APPAREIL OU LE TUYAU ROUGIT, IL EST SURCHAUFFÉ.
- ALIMENTATION ÉLECTRIQUE 120 V, 1,1 A, 60 HZ.
- REMPLACER LA VITRE AVEC UN VERRE PYROCÉRAMIQUE DE 5 MM D'ÉPAISSEUR SEULEMENT.
- ATTENTION : L'AIR EST NÉCESSAIRE AU FONCTIONNEMENT DU FOYER. LES ENTRÉES D'AIR DE COMBUSTION PRIMAIRE ET SECONDAIRE NE DOIVENT PAS ÊTRE OBSTRUÉES.
- ATTENTION : CE FOYER N'A PAS ÉTÉ TESTÉ AVEC DES BÛCHES À GAZ NON VENTILÉES. POUR RÉDUIRE LES RISQUES D'INCENDIE OU DE BLESSURES, NE PAS INSTALLER DE BÛCHES À GAZ NON VENTILÉES DANS CE FOYER.
- CONTACTER LES AUTORITÉS DE VOTRE LOCALITÉ AYANT JURIDICTION CONCERNANT LES RESTRICTIONS ET INSPECTIONS D'INSTALLATION.
- LE FOYER ET LA CHEMINÉE DOIVENT ÊTRE INSPECTÉS ET NETTOYÉS RÉGULIÈREMENT.
- UN PROLONGEMENT DE L'ÂTRE DOIT ÊTRE INSTALLÉ SELON LES INSTRUCTIONS DU MANUFACTURIER. RÉFÉREZ-VOUS AU MANUEL DU PROPRIÉTAIRE POUR PLUS DE DÉTAILS.
- LE SYSTÈME À AIR CHAUD PULSÉ DOIT ÊTRE INSTALLÉ SELON LES INSTRUCTIONS DU FABRICANT. CONSULTER LE MANUEL DU PROPRIÉTAIRE.



WOOD HEATER CERTIFICATION

This certificate is issued in recognition that
the following wood heater model line:

Duet, Duet 4 Seasons, and the Vision

Model Name

None

Model Number

Foyer Supreme

Manufacturer Name

has completed all requirements necessary for
certification and is a certified model line pursuant to
U.S. Environmental Protection Agency regulations.



[Handwritten Signature]

Director

Monitoring, Assistance, and Media Programs Division

923

Certificate Number

12/17/2018

Expiration Date

8. SUPREME LIMITED 25 YEAR WARRANTY

SUPREME FIREPLACES INC. warrants its factory-built fireplaces will be free from defects in material and workmanship, under normal use and service, for a period of twenty-five (25) years from the date of purchase.

This warranty is only intended for the original retail purchaser, given that the product was purchased from SUPREME FIREPLACES INC. or one of its distributors. This warranty is conditional upon correct installation and intended use of our products and does not cover damages caused by misuse of the products. This warranty shall be void if the fireplace is not installed by an authorized qualified technician in accordance with the installation instructions in the manual provided with this product. The installation must meet local and national building codes.

WARRANTY LIMITATIONS:

If the fireplace is used according to the instructions in the manual, a slight deformation of the panels can occur. This does not affect the functionality or the safety of the fireplace and the replacement of the panels is not necessary. If the fireplace is abused and not used according to our instructions, excessive deformation can occur. In this case, the stainless steel panels must be replaced at the cost of the customer.

1. During the first two years of the Limited Warranty, SUPREME FIREPLACES INC. will provide replacement parts at no charge and will also pay for reasonable labor costs for repair work, except for the parts listed in the EXCLUSIONS portion of this warranty.
2. During the third through the fifth year of the limited warranty, SUPREME FIREPLACES INC. will provide replacement parts (if available) at no charge, except for the parts mentioned in the EXCLUSIONS portion of this warranty. Supreme Fireplaces Inc. shall not be responsible for any labor costs.
3. From the sixth through the twenty-fifth year of the limited lifetime warranty, SUPREME FIREPLACES INC. will provide replacement parts (if available) at 50 % of the retail price, except for the parts listed in the EXCLUSIONS portion of this warranty. SUPREME FIREPLACES INC. shall not be responsible for any labor costs.

Transportation and other related costs or expenses arising from the replacement or repair of defective parts will not be covered by this warranty, nor will SUPREME FIREPLACES INC. assume responsibility for them.

EXCLUSIONS

SUPREME FIREPLACES INC. shall not be responsible for any labor costs for the replacement or repair of any electrical components, painted or plated parts, secondary air burning system, stainless steel panels and the combustion air control.

The following parts are guaranteed for 1 year: blowers, painted/plated parts, secondary air burning system, door gasketing and stainless steel panels.

The following parts are guaranteed for 90 days: ceramic glass (Thermal Breakage ONLY).

This warranty applies to normal residential use only. Damages caused by acts of nature or natural disasters, accidents, over firing, misuse, abuse, negligence, improper installation, alterations or substitutions of components of the fireplace, over-firing, abrasives, chemical cleaners, negligence are not covered by this warranty. Burning anything other than natural wood will damage your fireplace and void the warranty.

SUPREME FIREPLACES INC will not be responsible for environmental conditions such as inadequate vents or ventilation, excessive venting configurations or negative air pressures which may or may not be caused by mechanical systems such as exhaust fans, furnaces, clothes dryers, etc.

The manufacturer at its discretion may decide to repair or replace any part or unit after inspection and investigation of the defect. The manufacturer may, at its discretion, fully discharge all obligations with respect to this warranty by refunding the wholesale price of the defective part(s).

The manufacturer shall in no event be responsible for any consequential damages of any nature, which are in excess of the original purchase price of the product. Any complete fireplace, or part thereof, that is replaced or serviced under this warranty will be warranted for a period not exceeding the remaining term of the original warranty.

This limited Lifetime Warranty is effective on all appliances sold and supersedes any and all warranties currently in existence.

Please register your SUPREME product online at <http://www.supremem.com/registration.php> to ensure full warranty coverage. Proof of purchase is required for all warranty claims.

