



**SUPREME**  
WOODBURNING PRODUCTS

**FUSION**

Woodburning Fireplace Insert

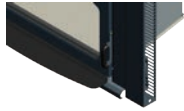


## SUPREME FEATURES



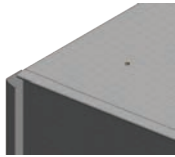
### UNIQUE DOOR OPERATION

This ergonomic design is durable, user-friendly and allows the door to remain hermetically shut by means of a latch for a secure operation of the fireplace.



### REMOVABLE ASH LIP

Clean and convenient – this removable accessory prevents the ashes from falling on the hearth.



### STAINLESS STEEL FIREBOX

The firebox is constructed of high grade stainless steel which allows a quicker heat transfer, more durability and less maintenance.



### CHIMNEY SWEEPING CAP

This unique feature allows for easy access when cleaning the chimney without having to remove any components of the fireplace.



### PATENTED AUTOMATIC AIR CONTROL

(PATENT NO: US 7,325,541 B2)

This innovative mechanism provides automatic means to gradually reduce the combustion air to the user's preset setting.



### BLOWERS (125 CFM EACH)

The Fusion comes equipped with two heat-activated blowers and a variable speed control that promotes the distribution of warm air into the room.

### VARIABLE SECONDARY AIR CONTROL (PATENT PENDING # GB1307428.1)

This innovative mechanism automatically regulates the amount of secondary air with the temperatures of the fireplace. The secondary air enters the firebox through a perforated hollow baffle in a downward direction to mix with the rising gases of the wood to create a unique arrangement of natural and appealing flames that prolongs the combustion, increases the efficiency and reduces the emissions of the fireplace.

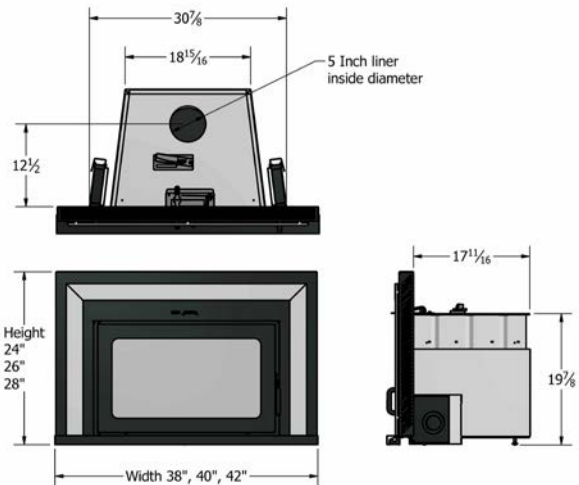
## TECHNICAL SPECIFICATIONS

Heat capacity:	2 000 square feet
Size of firebox:	2.4 cubic feet (EPA)
Weight:	175 lbs
Chimney:	5 inches (can be adapted to a 5,5 or 6 inches liner)
Tested and approved:	EPA 28 & 5G option 3, CSA B-415.1.10, UL 1482 and ULC S628
Emissions:	4.4 g/hour with EPA method
Log size:	18 inches (maximum)

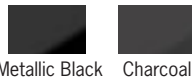
Patent # US 7,325,541 B2

Patent Pending # GB1305646.0, GB1307428.1, GB1305647.8

## DIMENSIONS



## AVAILABLE COLORS



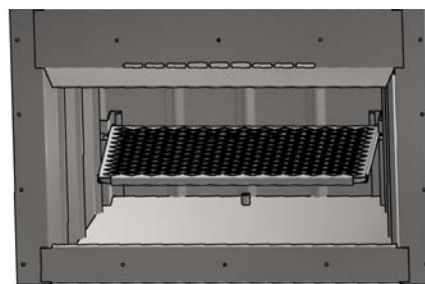
Metallic Black Charcoal

## MINIMUM OPENING REQUIRED

Width (Front): 32" Width (Back): 22"  
Height: 23" Depth: 19"

Modifications to the face assemblies and their dimensions may be made without prior notice. Please visit [www.supremem.com](http://www.supremem.com) for updates.

## BUILT-IN BARBECUE



A barbecue grill is stored inside the firebox to allow its users to cook their favorite meals when the wood is reduced to embers.



# SUPREME

1 877 593-4722  
info@supremem.com  
www.supremem.com



*Celebrating 35 years in manufacturing stainless steel wood stoves, inserts and fireplaces.*

Printed in Canada using recycled paper

