



FIRE INSPIRED[®]

Inspired by safety.
Innovated for your lifestyle.



OUTDOOR PRODUCTS DEALER CATALOG

FIRE • WATER • FIRE AND WATER

2020-2021



BILT.[®]
Intelligent Instructions



GREETINGS AND WELCOME

Welcome to our newest edition of the HPC Outdoor Products Dealer Catalog. We at HPC Fire Inspired™ truly appreciate your business, and we're so grateful for the trust you've placed in us. We believe that customer service is not just a department, rather it's the entire company. Our goal is to make your experience as easy and seamless as possible. We will do this through all facets of our business. You may have notice our new messaging, "Inspired by Safety. Innovated for your lifestyle" Only HPC creates safety and confidence with fire-inspired products that outlast and outperform the competition.

I would like to highlight the following new programs to support our mutually beneficial growth aspirations:

1. CSA certified 400+ appliances certified for top performance
2. Lifetime Warranty on burners
3. CADdetails – 3d models
4. New Products Page XXX
5. New Dealer Portal - Ease and accuracy of ordering
6. Quick Ship program -1 day shipment
7. BILT -3D interactive instructions
8. Live Customer and Technical Support - Open 7am-7pm ET Mon thru Thurs. 8am-5pm Fri
9. SMART App Technology to support the operations of the fire feature
10. Fun with Fire Series – A new series of education and training

On behalf of all the team at HPC, I would like to thank you all for your continued support. Cheers to a successful and prosperous year!



All the Best!

Sean Steimle, Chief Executive Officer

CONTACT



FIRE INSPIRED®

3050 Plainfield Rd
Kettering, OH 45432
Phone: 877.433.7001
Fax: 877.433.0704

Email: orders@hpcfire.com

www.hpcfire.com

Printed March 2020

COVER PHOTO
 HPC Fire Inspired™

WHAT DOES MAP MEAN?

Throughout this Dealer Catalog, you will see the acronym MAP. This stands for Minimum Advertised Price, and it's a policy that HPC Fire Inspired™ applies to nearly all our products. Quite simply, this MAP Policy prevents any trade partner from advertising our products at prices below those specified by HPC Fire Inspired™.

For a full explanation on this, and other HPC Fire Inspired™ policies, follow this link to the Policies & Procedures portion of our website. (hpcfire.com/support)

MAP
 APPLIES

QUALITY QUALITY QUALITY

At HPC Fire Inspired™, we build our products with great care, and we back it up with the strongest warranty in the industry. However, should the rare occurrence require repair or return of an HPC Fire Inspired™ product, we have programs that make this rare but unfortunate occurrence easy and painless for dealers.

Product Returns: The first step to solving a problem is a call to our Technical Services Department. That will usually take care of the majority of issues. However, if it doesn't, then a RMA (Return Merchandise Authorization) is issued, allowing the customer to send the product back to HPC Fire Inspired™.

Product Testing: Every product that is returned to HPC Fire Inspired™ is tested to see what is wrong with it. This testing determines whether the product can be repaired and sent back to the customer, or replaced.

Warranty: HPC Fire Inspired™ backs up its products with a strong warranty policy, covering many of our products for up to five years. See chart below.

WARRANTY POLICY

Components	Application	
Outdoor Fire Components	Residential	Commercial
Fire Pit Stainless Steel Burners	Lifetime	Lifetime
Outdoor Fireplace Burner & Pan	Lifetime	Lifetime
Electronic Components and Gas Valves	3 years	1 year
Pilot Assembly	2 years	1 year
Stainless Steel Components	5 year	1 year
Cold Rolled Steel Components	1 year	6 months
Flex Lines	5 years	1 year
Regulators	3 years	1 year
Outdoor Logs	5 years	5 years
Unfinished Fire Pit Enclosure	5 years	5 years
Copper Bowl Series (Normal Weathering Expected)	3 years	3 years
Aluminum Fire Pit Covers	3 years	3 years
Vinyl Fire Pit Covers	3 years	3 years
Evolution360™ & H2Onfire Series		
Polyethylene Basin and Liner	3 years	3 year
Water Pump	2 years	1 year
Float and Sensor	2 years	1 year
Hose and Fittings	2 years	2 years
Electronics and LEDs	2 years	1 year

Inspired by safety. Innovated for your lifestyle.

INTRO

1	Greetings	5	The Art of Fire
2	Table of Contents	6	New Products
4	Dealer Incentive Program		

EVO 360, H2O & TK TORCH

7	Evolution 360
9	H2Onfire
10	TK Torch

FIRE PIT INSERTS

11	Fire Pits 101	20	Square Flat Fire Pit Pan
13	Fire Pit Matrix	22	Rectangle H-Burner
14	Round Fire Pit Bowl	24	Rectangle S-Fire Burner
16	Round Flat Fire Pit Pan	26	Linear Trough Insert
18	Square Fire Pit Bowl	28	Linear Interlink Inserts

FIREPLACE BURNERS

30	Dual Step
31	Linear

COPPER PACKAGES

32	Mesa	34	Phoenix H-Burner
33	Sedona	35	Phoenix S-Fire
33	Tempe	35	Phoenix Trough
34	Sierra		

RTF PACKAGES

36	Round	38	Rectangle Trough
37	Octagon	39	Rectangle H-Fire
37	Square	39	Rectangle S-Fire
38	Rectangle Interlink	40	Small Tank Units

ACCESSORIES

41	Concrete Fire Logs	46	Covers/Doors/Vents
42	Lava and Ceramic Rock	47	Push Button Sleeve
43	Fire Glass	47	Match Lit Sleeve
44	Wind Guards	48	Ready to Finish Enclosure
45	Fire Pit Covers	49	Fire Pit Accessories Chart

COMPONENTS

50	Burners Kits-(FPS)	55	Decorative Key Valves
53	Pro Flex Lines	55	Flame Control Systems
53	Flex Lines	56	EI Accessories
54	Fire Pit Pans	57	Burners-(FRS)
54	Regulators	60	Log Lighters
54	Grill Regulators and Hose	60	Replacement Components
54	Push Button-(FPK)		

POINT OF PURCHASE

62	Kiosk Displays	62	Display Stands
62	Literature	62	Point of Purchase Banners

You will see these margins in sections of this book. The colors match the colors you see called out on this page.



DEALER INCENTIVE PROGRAM

LOCKED-IN INCENTIVE PRICING STRUCTURE FOR AN ENTIRE YEAR:

When your yearly sales orders meet one of our incentive levels your price structure is locked in for a full calendar year. See dealers incentive schedule in this program.

PRODUCT DEMOS:

As a dealer you may request any available product demo for your sales needs.

PRODUCT PRESENTATIONS (POWER POINT BASED) – CUSTOMIZED TO YOUR NEEDS:

As a dealer you may request a customized powerpoint presentation prepared by HPC sales staff for your sales meetings.

COMPANY CONTACT INFORMATION LISTED IN OUR DEALER LOCATOR ON OUR WEBSITE:

As a dealer you will automatically be included in our searchable online referral database at hpcf ire.com/buy-local.html

PREFERRED CUSTOMER ADVISORY COUNSEL DISCUSSIONS:

Each year HPC will put together and request certain dealers participate in an advisory council to voice product needs, value added ideas for the program going forward, and industry news and events.

ONLINE ORDER FULFILLMENT:

HPC offers a searchable online ordering site through the HPC Dealer Portal Store. hpcf ire.com.

NEW PRODUCT DEVELOPMENT INPUT:

All dealers are encouraged to provide input on new product development.

HOW WE BEAT MOTHER NATURE

There's no two ways about it. Outdoor gas fire pits face a double-barrel assault from Nature, namely from wind and rain. But HPC designs its products with Nature in mind, to make sure our fire pits function effectively and safely in the field. For example:

- The Penta Burner sheds rain water in several ways. Each of the five lobes have "weep holes" that drain water. Also, the hub in the center of the burner is sealed to prevent water leaking into the burner.
- HPC's Electronic Ignition models all include a "drip leg" that diverts any water away from the electronics.
- In case of a very strong wind blowing out the fire pit flame, HPC's Electronic Ignition and Push Button/Flame Sense models all are equipped with a thermocouple sensor that will shut off the gas supply if the flame is extinguished. Even without this protection, wind blowing out the flame would be a very rare occurrence, since the pilot flame area is surrounded and protected by a metal "blow-out box."
- Spiders Not Welcome. Strangely, spiders are attracted to the odorant that is added to propane to give it its distinctive smell (alerting people if there is a leak). There spider nests have the potential of interfering with the flow of gas. However, HPC designs around that by including a mesh "spider guard" on all its CSA-Certified fire pit inserts.



Lastly, we also offer a technologically simple method for protecting against the elements. It's called a cover. All fire pits should be covered when not in use, especially in the off-season.

HPC'S MISSION STATEMENT

To produce beautiful, safe and high quality fire features that enhance the atmosphere of spaces to create memorable moments and real conversations.

CUSTOM FIRE PITS

One would think that with over 300 standard off-the-shelf fire pit inserts there would be no need for custom designs...think again! Our creative and always "thinking out of the box" network of Dealers never stop- often thanks to you the End User!

Our team of designers is certified by the National Fireplace Institute (NFI) to ensure product safety and proper operation. HPC designs and manufactures commercial or residential fire features including custom enclosures and fire pit inserts of any shape or size- from 2 feet to 30 feet wide, from 25 thousand to 600 thousand Btu output. These fire products can be found at large venues throughout the world including casinos, resorts, ball parks, airports, malls, restaurants....and your backyard!

The custom flame control technology HPC offers ranges from the small match lit to the simple flame sensing controls to the very popular Electronic Ignition controls allowing for remote start and automatic relight. Our custom manufactured burner / pan assemblies are made of high-grade stainless steel material specifically designed to meet your need- these commonly consist of large manifolds or fire rings in any shape or size.

Please allow us to assist you in the design of your custom project. We will be happy to provide input- our years of experience and knowledge of outdoor and indoor systems will make it easy and more importantly keep it safe.

CUSTOM FIRE PITS HIGHLIGHTS

- **Design & layout assistance from NFI Certified Technicians**
- **Custom drawings & models**
- **Design burner, pan, and/or control systems to fit your needs**
- **Vast catalog offering of CSA Certified Products may fit your custom needs with small or no modification to the product**



Go to hpcfire.com/custom to complete the custom fire pit form

NEW PRODUCTS

WITH CONTINUED INNOVATION COMES REGULAR CHANGE!

At HPC Fire Inspired™ we are working on new products daily! We will keep you updated via e-mail blasts, social media and a web page that will have all new products as they are released.

Visit HPCfire.com/hpc-new-products for all new products



HPC New Products

8 New solutions to increase your revenue and an easier way to manage and buy from HPC Fire Inspired™



HPC Fire Inspired™ is excited to announce 8 new outdoor solutions for your business. These new products have been asked for by our customers and we listened. From Ready to Finish Small Tank Enclosures for easy setup on a finished and existing patio or hardscape, to the new dealer login that makes tracking your orders, organizing your invoices and purchasing from HPC a breeze.



RTF for Small LP Tanks

Now our RTF Enclosures are tall enough to fit a 20-lb. LP



Outdoor Fireplace Burner Systems

A huge new market for gas fire pits is the thousands upon



12V Flame Control System

If installed within five feet of a swimming pool, an E3 fire

AT HPC FIRE INSPIRED™ CUSTOMER SERVICE MEANS EVERYTHING TO US!

We strive every single day, every waking hour to fulfill our customers needs and expectations. Some companies just say they believe in customer service, or it is in the DNA of the company but have you ever tried to call them? Do you get an actual real person on the phone when you do or an automated recording?

At HPC Fire Inspired™ we listen to our customers and also anticipate what they will need. We have launched 5 new customer service products this year alone. Below you will find the products, information and resources on this years launches!



HPC partnered with a 3rd party platform called BILT to bring you 3-D Interactive instructions, troubleshooting and training on our products to better serve you.



HPC launched the new dealer portal for ease of use, convenience and for you to never forget that product that you always need. Manage invoices, see past purchases and most purchased products.

HPC "1 DAY" QUICKSHIP PROGRAM

We know that business can move fast and things can happen last minute. With this in mind we launched our "Quick Ship Program", if you need it next day you can get it if you have the order in by 2 p.m. Eastern to us.



An easier to use and navigate website so you can take your customers to the product they need quickly and easily to make that sale.



Engineering has committed to having all employees NFI Certified this year. This means that along with our NFI Certified Techs, the engineers will be!

EVOLUTION 360

These inserts have many unique and user friendly features that make them a year round water and fire pits. We have made these inserts so the fire, water and lighting features will work

independently of each other making them ideal in areas that require the water feature to be winterize. **Ships in crate on pallet.**



HAMMERED COPPER FIRE BOWL

Hammered Copper - 4 Scupper



360 Feature being finished with paver stone
Includes Basin, 26" Copper Water Bowl, and Electronic Ignition Fire Pit (13SSEI).

Hammered Copper - 360



Winner of two Vesta Awards for Product Innovation and Design



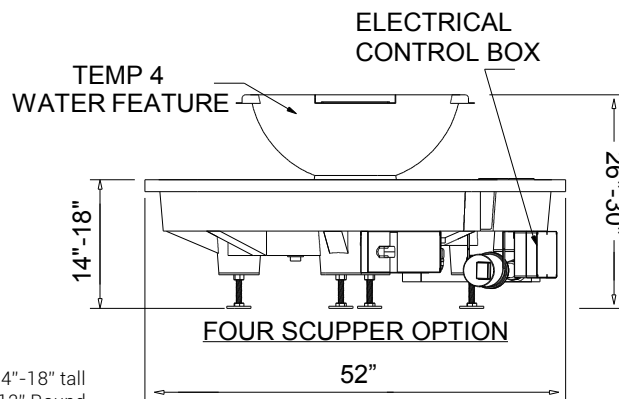
Four Scupper Feature



360 Feature

SPECIFICATIONS - ELECTRONIC IGNITION (EI)

Bowl Type	Power	Gas type	Models (EI)	Max BTU
4 Scupper	120vac	Natural Gas	WB52R-TEMP4-EI-NG	90k
		Liquid Propane	WB52R-TEMP4-EI-LP	
360	120vac	Natural Gas	WB52R-TEMP360-EI-NG	90k
		Liquid Propane	WB52R-TEMP360-EI-LP	



Size: 52" diameter, 14"-18" tall
Burner: 12" Round

H2Onfire

HPC is proud to announce another first in the industry, the H2Onfire fire on water feature. This insert has been a longtime request of our dealers (and the consumer). A true electronic fire on water, turn-key appliance operating at a gas pressure less than 1/4 psi, allowing for residential installations. It is also the first "fire on water" system to be certified in North America to the Z21.97 standard by the CSA Group - passing the stringent wind, rain, and combustion test.

The fire ring is totally submerged underwater using our patent pending burner design and back flow prevention to protect the controls - giving an even and very appealing flame at only 65,000 Btu. This is NOT a match lit system- it is remote control with auto relight. Our ignition and flame sensing network is located in the center tower monitoring flame conditions at all times. **Ships in crate on pallet.**

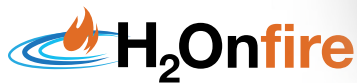
CONCRETE FIRE ON WATER AND HAMMERED COPPER 360

Black Concrete
Bowl - 4 Scupper

Burnt Sienna Concrete
Bowl - 4 Scupper



Hammered Copper
Fire on Water - 360



Fully Assembled. Includes Basin, Water Bowl, and Fire on Water Control System



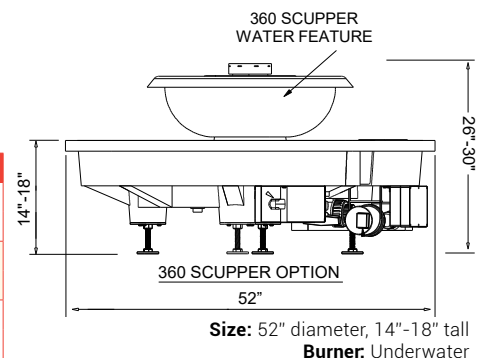
578-G4
Optional Remote
Available



Winner of Vesta
Awards Finalist

SPECIFICATIONS - ELECTRONIC IGNITION (EI)

Color	Bowl Type	Power	Gas type	Models	Max BTU
Concrete Burnt Sienna	4 Scupper	120vac	Natural Gas	FOW52R-MONACO4BS-EI-NG	65k
			Liquid Propane	FOW52R-MONACO4BS-EI-LP	
Concrete Black	4 Scupper	120vac	Natural Gas	FOW52R-MONACO4BL-EI-NG	65k
			Liquid Propane	FOW52R-MONACO4BL-EI-LP	
Copper - Hammered	360	120vac	Natural Gas	FOW52R-CYPRUS360-EI-NG	65k
			Liquid Propane	FOW52R-CYPRUS360-EI-LP	



TK TORCH

BACKYARD FIRE EFFECTS THAT WILL WOW ANYONE

Now the backyard can have that resort feeling. How nice it is to have instant "tiki" style fire at your finger tips. No more picking

up fuel; No more filling with messy oils or gel. These torches are state of the art, very robust, reliable, and built to last.



ACCESSORIES



Features:

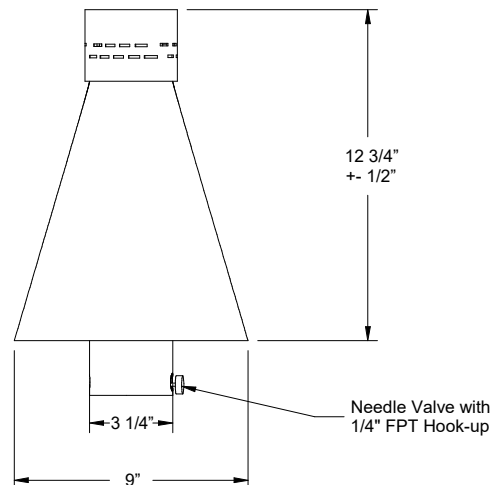
- Burner assembly made of rugged #304 stainless steel for durability.
- Outdoor powder coated post.
- Built for Natural Gas or LP.
- 3-year warranty on hardware; 1-year warranty on gas controls.
- Kano tops available in 2 styles: Hammered Copper or Black Finish
- Available Head Only assembly for column mounting.

Specifications - Match Lit (MLFPK)

Style	Style	Gas type	Models	Max BTU
Black	Complete with 96" Post	Natural Gas	TK40MAN-B-NG	25k
		Liquid Propane	TK40MAN-B-LP	
Copper	Complete with 96" Post	Natural Gas	TK40MAN-C-NG	25k
		Liquid Propane	TK40MAN-C-LP	
Black	Tiki Top Only	Natural Gas	TKHEAD40MAN-B-NG	25k
		Liquid Propane	TKHEAD40MAN-B-LP	
Copper	Tiki Top Only	Natural Gas	TKHEAD40MAN-C-NG	25k
		Liquid Propane	TKHEAD40MAN-C-LP	

Size: 84" Tall (with 12" underground)

Burner: TK



① MATCH LIT (MLFPK SERIES)

This is our simplest certified fire pit insert- easy to operate and requires the least amount of maintenance.

How It Works

Start Up: This is done by lighting long-stem lighter next to perimeter of burner then slowly open key to valve. Leave key in valve during use.

Operation: Flame height may be adjusted by turning key to valve- counterclockwise provides more flame, clockwise lowers flame.

Shut Down: To turn OFF the fire pit simply turn key to valve clockwise to OFF position. Remove key.

Features

- Fully Assembled and ready to install.
- Flex Line configuration provides versatile and simple installation.
- Valve mounting bracket included- for safe mounting of control have.



- Flame height is adjustable using key valve.
- Natural Gas or Liquid Propane: Factory built & tested for either fuel.
- CSA Certified in US & Canada to ANSI Z21.97-2014 / CSA 2.41-2014 requirements.
- Optional Install & Controls: Paver Block Bracket, Key Extension Kit, Long Keys and Spark Ignition Kit.

② PUSH BUTTON / FLAME SENSE CONTROL (FPPK SERIES)

This is our mid-range fire pit insert utilizing safety pilot flame control- simply push ignition button and valve control knob to start... flame adjustment is done with knob. This battery operated system is a good solution for flame sensing necessity without AC power requirements.

How It Works

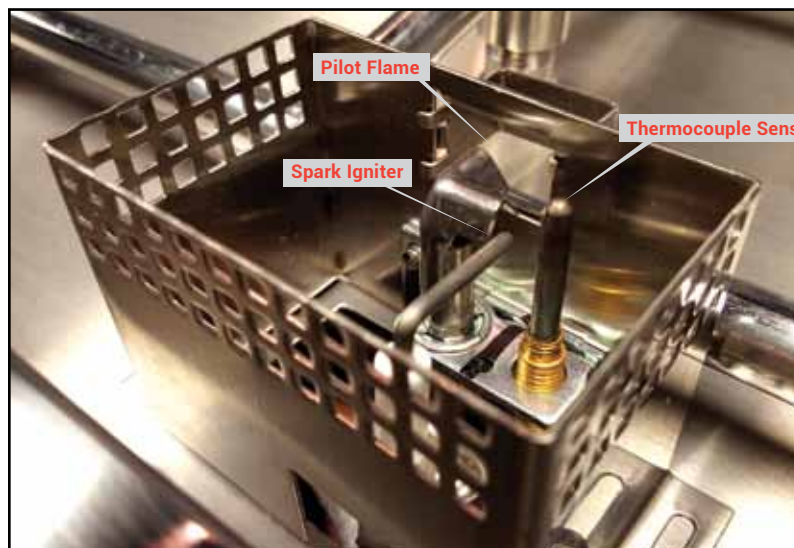
Start Up: This is done by simultaneously pressing valve control knob to start flow of pilot gas and pressing ignition button for spark. Release spark after pilot ignition, release valve control knob after ~20 seconds. Then turn valve control knob counterclockwise to light main burner.

Operation: Flame height may be adjusted by turning valve control knob- counterclockwise provides more flame, clockwise lowers flame. If flame loss does occur, the system will automatically turn off all gas flow.

Shut Down: To turn OFF the fire pit simply turn valve control knob clockwise- slightly depress knob to reach OFF position.

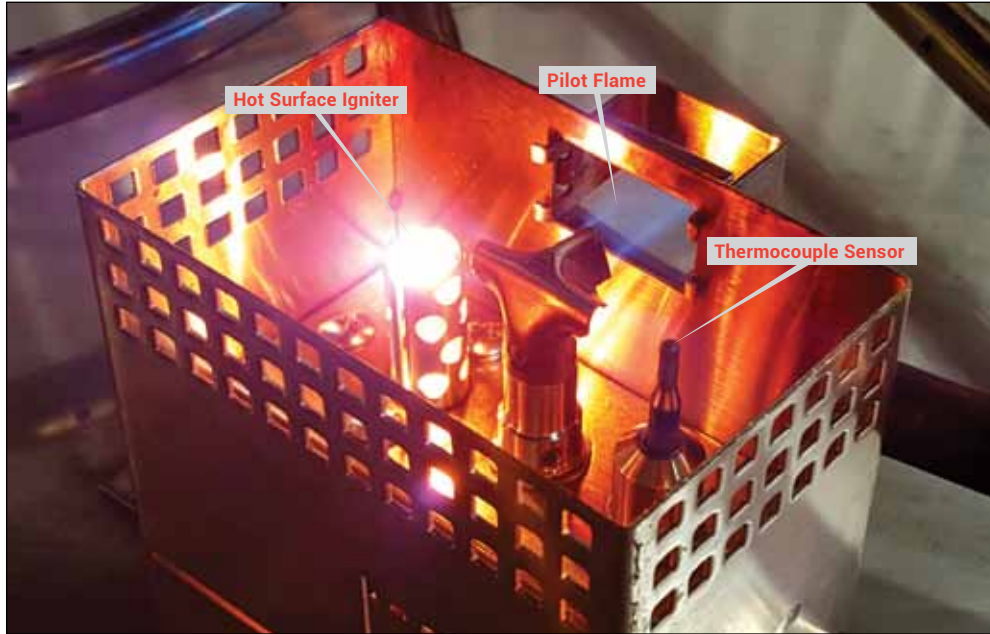
Features

- Fully Assembled and ready to install. Control components are protected within valve box.
- Flex Line configuration provides versatile and simple installation.
- Start ignition with push button and valve control knob.
- Flame sensing- system will turn off gas if flame is lost.
- Flame height is adjustable using valve control knob.
- Battery Operated System- is perfect solution for installs with no power.
- Natural Gas or Liquid Propane: Factory built & tested for either fuel.
- CSA Certified in US & Canada to ANSI Z21.97-2014 / CSA 2.41-2014 requirements.
- Optional Install: Control Box Sleeve for mounting in pavers, metal and more. (Pg. 47)



③ REMOTE ELECTRONIC IGNITION CONTROL (EI SERIES)

This is our top-of-the-line system featuring the ignition ease with use of a wall switch or handheld remote to control flame as well as auto-re-light if flame loss. This year we are launching a new control system with numerous convenience and performance improvements for both On/Off Models and our newly introduced High/Low Models- such as High/Low flame control via our new remote, a redesigned hot surface igniter and many other improvements.



Smart device App available on Hi/Lo Models only

How It Works

Start Up: This is done by use of a wall switch or remote control. When the ON command is received, the system completes initial safety checks then starts flow of pilot gas. After 5 seconds the hot surface igniter glows igniting pilot flame. When the system confirms pilot flame present, the main burner gas will flow ignited by the pilot flame.

Operation: While enjoying the ambiance of your fire pit, the system is at work monitoring flame status, internal temperatures / voltages and other safety parameters. If flame loss does occur, the system will turn off all gas flow, and then restart by automatically commencing Start sequence.

On/Off Models: Includes the convenience and safety features- optional remote control available.

Bluetooth High / Low Flame Control Models: This option includes a smart remote and App via smart device control with 2-way communication with the fire pit. Remote allows flame height control while receiving information from fire pit to advise user of fire pit status (flashing LED).

Shut Down: To turn OFF the fire pit simply use wall switch, remote control or whole house system.

Features

- Fully Assembled- ready to install. Control components are protected within valve box.
- Start via wall switch or remote control; Auto re-light if flame is lost.
- Ignition is complete using a robust and reliable Hot Surface igniter.
- On/Off models: Use with optional wall switch, Remote Control or your whole house system
- High/Low Flame Control Models: Adjust high setting to low setting- ~45% turndown (Remote Control included). Not for use with your whole house system.
- 120vac: Standard outdoor grounded power cord- simply plug into GFCI outlet.
- 24vac Option: Typically used with lower voltage requirements.
- Natural Gas or Liquid Propane: Factory built & tested for either fuel.
- Internal temperature monitoring with overheat auto shutoff.
- CSA Certified in US & Canada to ANSI Z21.97-2014 / CSA 2.41-2014 requirements. (This new EI system already meets upcoming 2020 ANSI requirements).
- Optional Controls: On/Off Remote, Timers, Power Supplies and an Emergency Shutoff. (Pg. 56)



Igniter / Sensor are protected from outdoor elements in the blowout box

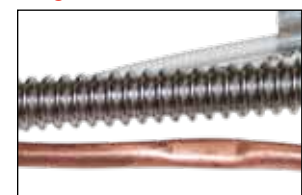
On/Off Model-Remote (Optional)



High / Low Model-Remote (Standard)



Thermocouple Lead crimped by design for ease of install.



ELECTRONIC IGNITION FIRE PITS (EI)

		Round		Square		Rectangle H	Rectangle S	Linear	
STYLES									
	Bowl	Flat	Bowl	Flat	Bowl	Bowl	Trough	Interlink	
SIZES	13"	14"	18"	18"	24" x 12"	36" x 14"	24"	25" x 8"	
	19"	18"	24"	24"	30" x 12"	42" x 14"	36"	37" x 8"	
	25"	24"	30"	30"	36" x 14"	54" x 16"	48"	49" x 8"	
	31"	30"	36"	36"	42" x 14"	66" x 16"	60"	61" x 8"	
	37"	36"	42"	42"	54" x 16"	78" x 16"	72"	73" x 8"	
	43"	42"			66" x 16"		96"	97" x 8"	
	54"			78" x 16"			121" x 8"		
				90" x 16"					

All Models Available in Natural Gas or Propane	All Models Available in 120VAC or 24VAC	All Models Available with remote	Remote or App HI/LO & ON/OFF	ON/OFF ONLY (Remote optional)
--	---	----------------------------------	------------------------------	-------------------------------

PUSH BUTTON/FLAME SENSE FIRE PITS (FPPK)

		Round		Square		Rectangle H	Rectangle S	Linear	
STYLES									
	Bowl	Flat	Bowl	Flat	Bowl	Bowl	Trough	Interlink	
SIZES	13"	14"	18"	18"	24" x 12"	36" x 14"	24"	25" x 8"	
	19"	18"	24"	24"	30" x 12"	42" x 14"	36"	37" x 8"	
	25"	24"	30"	30"	36" x 14"	54" x 16"	48"	49" x 8"	
	31"	30"	36"	36"	42" x 14"	66" x 16"	60"	61" x 8"	
	37"	36"			54" x 16"		72"	73" x 8"	
						96"	97" x 8"		

All Models Available in Natural Gas or Propane	Battery	Manual Flame Control
--	---------	----------------------

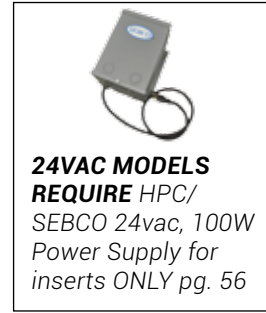
MATCH LIT FIRE PITS (MLFPK)

		Round		Square		Rectangle H	Rectangle S	Linear	
STYLES									
	Bowl	Flat	Bowl	Flat	Bowl	Bowl	Trough	Interlink	
SIZES	13"	8"	18"	18"	24" x 12"	36" x 14"	24"	25" x 8"	
	19"	14"	24"	24"	30" x 12"		36"	37" x 8"	
	25"	18"	30"	30"	36" x 14"		48"	49" x 8"	
	31"	24"							
	30"								

All Models Available in Natural Gas or Propane	Optional Manual Spark Ignition Kit	Manual Flame Control
--	------------------------------------	----------------------

ROUND BOWL INSERTS

EI Series



24VAC MODELS REQUIRE HPC/SEBCO 24vac, 100W Power Supply for inserts ONLY pg. 56

Benefits of Round Bowl Inserts:

Sidewall helps with media retention; Pan Lip provides for recessed burner / blowout box.

Features:

*Made of #304, 18 gauge Stainless Steel
Spun design adds rigidity
Welded gas fitting for strength
Weep holes for drainage*

MLFPK Series



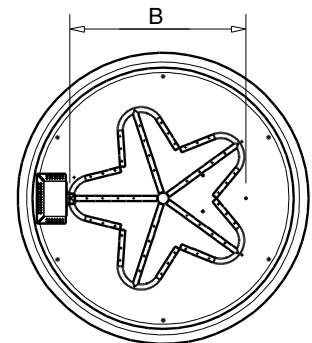
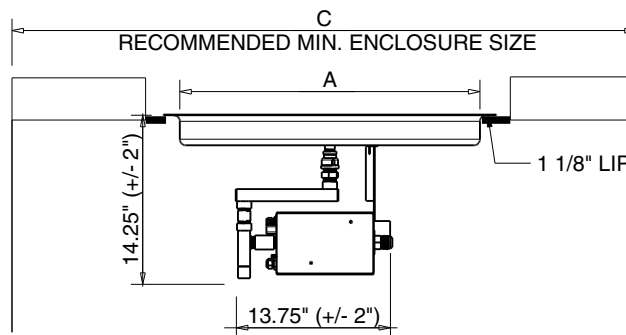
FPPK Series



SIK36 - MANUAL SPARK IGNITION for match lit fire pits pg. 47

SPECIFICATIONS

AVAILABLE IN:
120VAC OR 24VAC
ON/OFF OR HI/LO
MATERIAL: 304 STAINLESS STEEL
HI/LO MODELS HAVE A 40% REDUCTION IN BTU ON LOW SETTING



SIZE	DIMENSION CHART		
	A"	B"	C" Pit Size
13"	13	12	54
19"	19	12	54
25"	25	18	72
31"	31	24	72
37"	37	30	80
43"	43	36	90

ACCESSORIES



EI Accessories (Pg. 56):
Timers, Power Supplies, E-Stop

MLFPK Paver Bracket - Pg. 47

FPPK Mounting Sleeve - Pg. 47

Wind Guards: Pg. 44

Covers: Pg. 45

Media: Pg. 42



See Pg. 12 for EI System Features



Electronic Ignition Models - EI Series Specifications

Size (A")	Power	Gas type	Model - Flame ON/OFF	Model - Bluetooth (HI/LO)	BURNER	Max BTU
13"	120vac	Natural Gas	13SSEI-NG/120VAC		12" Round	90k
		Liquid Propane	13SSEI-LP/120VAC			
* 24vac	24vac	Natural Gas	13SSEI-NG/24VAC		12" Round	90k
		Liquid Propane	13SSEI-LP/24VAC			
19"	120vac	Natural Gas	PENTA19EI-NG/120VAC		12" Penta	65k
		Liquid Propane	PENTA19EI-LP/120VAC			
* 24vac	24vac	Natural Gas	PENTA19EI-NG/24VAC		12" Penta	65k
		Liquid Propane	PENTA19EI-LP/24VAC			
25"	120vac	Natural Gas	PENTA25EI-NG/120VAC		18" Penta	125k
		Liquid Propane	PENTA25EI-LP/120VAC			
* 24vac	24vac	Natural Gas	PENTA25EI-NG/24VAC		18" Penta	125k
		Liquid Propane	PENTA25EI-LP/24VAC			
31"	120vac	Natural Gas	PENTA31EI-NG/120VAC		24" Penta	200k
		Liquid Propane	PENTA31EI-LP/120VAC			
* 24vac	24vac	Natural Gas	PENTA31EI-NG/24VAC		24" Penta	200k
		Liquid Propane	PENTA31EI-LP/24VAC			
37"	120vac	Natural Gas	PENTA37EI-NG/120VAC		30" Penta	250k
		Liquid Propane	PENTA37EI-LP/120VAC			
* 24vac	24vac	Natural Gas	PENTA37EI-NG/24VAC		30" Penta	250k
		Liquid Propane	PENTA37EI-LP/24VAC			
43"	120vac	Natural Gas	PENTA43EI-NG/120VAC	N/A	36" Penta	400k
		Liquid Propane	PENTA43EI-LP/120VAC			
* 24vac	24vac	Natural Gas	PENTA43EI-NG/24VAC	N/A	36" Penta	400k
		Liquid Propane	PENTA43EI-LP/24VAC			

EI MODELS INCLUDE: Insert: Fully Assembled. Flex Line: Gas Input and Instructions
SOLD SEPARATELY (EI INSERT): On/Off Models 120VAC- Remote: 578-C: See Pg. 56.

***IMPORTANT: 24vac Models REQUIRE HPC/SEBCO 24vac, 100W Power Supply pg. 56**

Push Button/Flame Sense Models - FPPK Flex Series Specifications

See Pg. 11 for FPPK System Features



Size (A")	Gas type	Model	Remote Small Tank Model	Burner	Max BTU	* Flex Line
13"	Natural Gas	FPPK13-FLEX-NG	FPPK13-FLEX-LP-ST	12" Round	90k	36"
	Liquid Propane	FPPK13-FLEX-LP				
19"	Natural Gas	PENTA19FPPK-FLEX-NG	PENTA19FPPK-FLEX-LP-ST	12" Penta	65k	36"
	Liquid Propane	PENTA19FPPK-FLEX-LP				
25"	Natural Gas	PENTA25FPPK-FLEX-NG	PENTA25FPPK-FLEX-LP-ST	18" Penta	90k	36"
	Liquid Propane	PENTA25FPPK-FLEX-LP				
31"	Natural Gas	PENTA31FPPK-FLEX-NG	PENTA31FPPK-FLEX-LP-ST	24" Penta	140k	36"
	Liquid Propane	PENTA31FPPK-FLEX-LP				
37"	Natural Gas	PENTA37FPPK-FLEX-NG	PENTA37FPPK-FLEX-LP-ST	30" Penta	140k	36"
	Liquid Propane	PENTA37FPPK-FLEX-LP				

Match Lit Models - MLFPK Flex Series Specifications

See Pg. 11 for MLFPK System Features



Size (A")	Gas type	Model	Remote Small Tank Model	Burner	Max BTU	* Flex Line
13"	Natural Gas	PENTA13 MLFPK-FLEX-NG	PENTA13 MLFPK-FLEX-LP-ST	12" Penta	65k	36"
	Liquid Propane	PENTA13 MLFPK-FLEX-LP				
19"	Natural Gas	PENTA19 MLFPK-FLEX-NG	PENTA19 MLFPK-FLEX-LP-ST	12" Penta	65k	36"
	Liquid Propane	PENTA19 MLFPK-FLEX-LP				
25"	Natural Gas	PENTA25 MLFPK-FLEX-NG	PENTA25 MLFPK-FLEX-LP-ST	18" Penta	65k	36"
	Liquid Propane	PENTA25 MLFPK-FLEX-LP				
31"	Natural Gas	PENTA31 MLFPK-FLEX-NG	PENTA31 MLFPK-FLEX-LP-ST	18" Penta	65k	36"
	Liquid Propane	PENTA31 MLFPK-FLEX-LP				

FPPK & MLFPK MODELS INCLUDE: Insert: Fully Assembled and Instructions
SOLD SEPARATELY: (FPPK-MLFPK) Input Flex Line: SSC24: All models

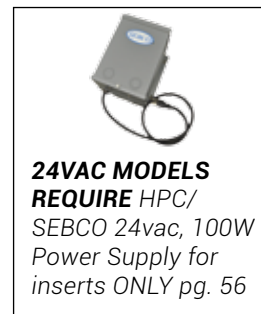
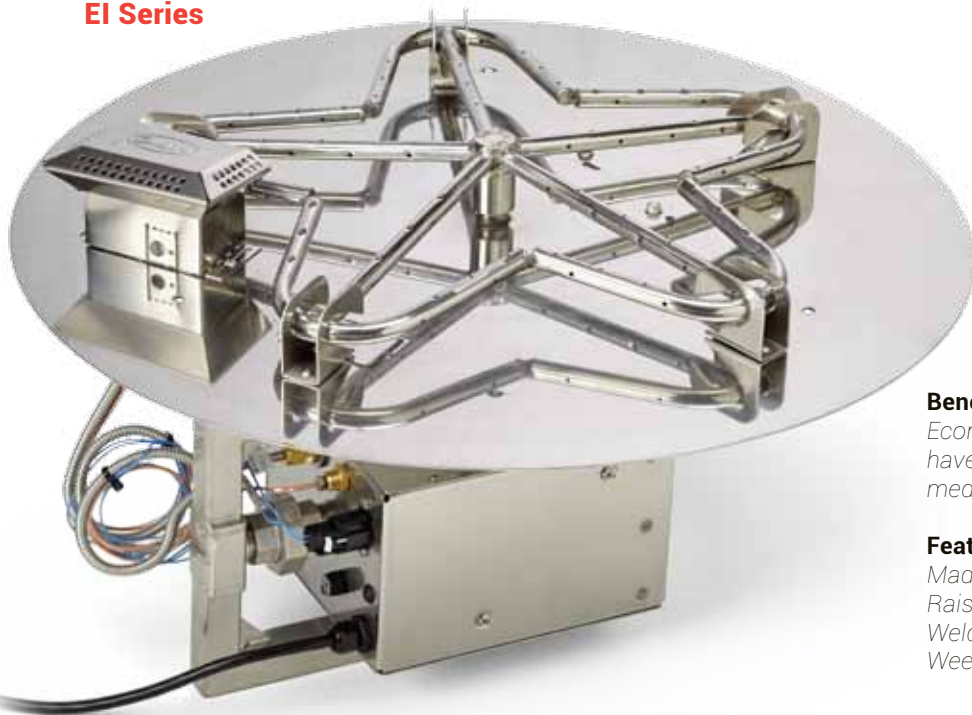
TOP SELLING SIZES

Need help? Use our fire pit selector at hpcfire.com

Match proper accessories to your fire pit model - see Pg. 49-50.

ROUND FLAT INSERTS

EI Series



24VAC MODELS REQUIRE HPC/SEBCO 24vac, 100W Power Supply for inserts ONLY pg. 56

Benefits of Round Flat Inserts:

Economical flat design- used in enclosures that have recess mount and internal sidewalls for media.

Features:

Made of #304, 18 gauge Stainless Steel
Raised hub burner for water prevention
Welded gas fitting for strength
Weep holes for drainage

MLFPK Series



FPPK Series

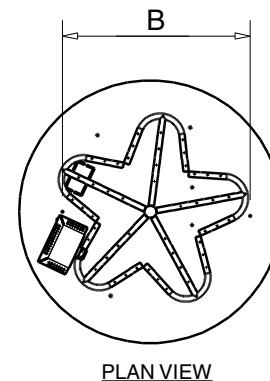
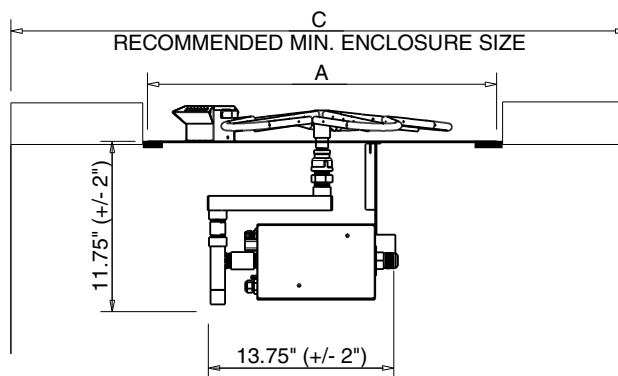


SIK36 - MANUAL SPARK IGNITION for match lit fire pits pg. 47

SPECIFICATIONS

AVAILABLE IN:
120VAC OR 24VAC
ON/OFF OR HI/LO
MATERIAL: 304 STAINLESS STEEL
HI/LO MODELS HAVE A 40% REDUCTION IN BTU ON LOW SETTING

SIZE	DIMENSION CHART		
	A"	B"	C" Pit Size
14"	14	12	54
18"	18	12	54
24"	24	18	72
30"	30	24	72
36"	36	30	80
42"	42	36	90
54"	54	48	90



ACCESSORIES



EI Accessories (Pg. 56):
Timers, Power Supplies, E-Stop

MLFPK Paver Bracket - Pg. 47

FPPK Mounting Sleeve - Pg. 47

Wind Guards: Pg. 44

Covers: Pg. 45

Media: Pg. 42



See Pg. 12 for EI System Features



Electronic Ignition Models - EI Series Specifications

Size	Power	Gas type	Model - Flame ON/OFF	Model - Bluetooth (HI/LO)	BURNER	Max BTU
14"	120vac	Natural Gas	14FSSEI-NG/120VAC		12" Round	90k
		Liquid Propane	14FSSEI-LP/120VAC			
* 24vac	24vac	Natural Gas	14FSSEI-NG/24VAC		12" Round	90k
		Liquid Propane	14FSSEI-LP/24VAC			
18"	120vac	Natural Gas	PENTA18EI-NG/120VAC		12" Penta	65k
		Liquid Propane	PENTA18EI-LP/120VAC			
* 24vac	24vac	Natural Gas	PENTA18EI-NG/24VAC		12" Penta	65k
		Liquid Propane	PENTA18EI-LP/24VAC			
24"	120vac	Natural Gas	PENTA24EI-NG/120VAC		18" Penta	125k
		Liquid Propane	PENTA24EI-LP/120VAC			
* 24vac	24vac	Natural Gas	PENTA24EI-NG/24VAC		18" Penta	125k
		Liquid Propane	PENTA24EI-LP/24VAC			
30"	120vac	Natural Gas	PENTA30EI-NG/120VAC		24" Penta	200k
		Liquid Propane	PENTA30EI-LP/120VAC			
* 24vac	24vac	Natural Gas	PENTA30EI-NG/24VAC		24" Penta	200k
		Liquid Propane	PENTA30EI-LP/24VAC			
36"	120vac	Natural Gas	PENTA36EI-NG/120VAC		30" Penta	250k
		Liquid Propane	PENTA36EI-LP/120VAC			
* 24vac	24vac	Natural Gas	PENTA36EI-NG/24VAC		30" Penta	250k
		Liquid Propane	PENTA36EI-LP/24VAC			
42"	120vac	Natural Gas	PENTA42EI-NG/120VAC	N/A	36" Penta	400k
		Liquid Propane	PENTA42EI-LP/120VAC			
* 24vac	24vac	Natural Gas	PENTA42EI-NG/24VAC	N/A	36" Penta	400k
		Liquid Propane	PENTA42EI-LP/24VAC			
54"	120vac	Natural Gas	PENTA54EI-NG/120VAC	N/A	48" Penta	400k
		Liquid Propane	PENTA54EI-LP/120VAC			
* 24vac	24vac	Natural Gas	PENTA54EI-NG/24VAC	N/A	48" Penta	400k
		Liquid Propane	PENTA54EI-LP/24VAC			

EI MODELS INCLUDE: Insert: Fully Assembled. Flex Line: Gas Input and Instructions **SOLD SEPARATELY (EI INSERT):** On/Off Models 120VAC- Remote: 578-C: See Pg. 56.

***IMPORTANT: 24vac Models REQUIRE HPC/ SEBCO 24vac, 100W Power Supply pg. 56**

TOP SELLING SIZES

Push Button/Flame Sense Models - FPPK Flex Series Specifications

See Pg. 11 for FPPK System Features



Size	Gas type	Model	Remote Small Tank Model	Burner	Max BTU	* Flex Line
14"	Natural Gas	FPPK14-FLEX-NG	FPPK14-FLEX-LP-ST	12" Round	90k	36"
	Liquid Propane	FPPK14-FLEX-LP				
18"	Natural Gas	PENTA18FPPK-FLEX-NG	PENTA18FPPK-FLEX-LP-ST	12" Penta	65k	36"
	Liquid Propane	PENTA18FPPK-FLEX-LP				
24"	Natural Gas	PENTA24FPPK-FLEX-NG	PENTA24FPPK-FLEX-LP-ST	18" Penta	90k	36"
	Liquid Propane	PENTA24FPPK-FLEX-LP				
30"	Natural Gas	PENTA30FPPK-FLEX-NG	PENTA30FPPK-FLEX-LP-ST	24" Penta	140k	36"
	Liquid Propane	PENTA30FPPK-FLEX-LP				
36"	Natural Gas	PENTA36FPPK-FLEX-NG	PENTA36FPPK-FLEX-LP-ST	30" Penta	140k	36"
	Liquid Propane	PENTA36FPPK-FLEX-LP				

Match Lit Models - MLFPK Flex Series Specifications

See Pg. 11 for MLFPK System Features



Size	Gas type	Model	Remote Small Tank Model	Burner	Max BTU	* Flex Line
8"	Natural Gas	MLFPK8-FLEX-NG	MLFPK8-FLEX-LP-ST	6" Round	40k	36"
	Liquid Propane	MLFPK8-FLEX-LP				
14"	Natural Gas	PENTA14 MLFPK-FLEX-NG	PENTA14 MLFPK-FLEX-LP-ST	12" Penta	65k	36"
	Liquid Propane	PENTA14 MLFPK-FLEX-LP				
18"	Natural Gas	PENTA18 MLFPK-FLEX-NG	PENTA18 MLFPK-FLEX-LP-ST	12" Penta	65k	36"
	Liquid Propane	PENTA18 MLFPK-FLEX-LP				
24"	Natural Gas	PENTA24 MLFPK-FLEX-NG	PENTA24 MLFPK-FLEX-LP-ST	18" Penta	65k	36"
	Liquid Propane	PENTA24 MLFPK-FLEX-LP				
30"	Natural Gas	PENTA30 MLFPK-FLEX-NG	PENTA30 MLFPK-FLEX-LP-ST	18" Penta	65k	36"
	Liquid Propane	PENTA30 MLFPK-FLEX-LP				

FPPK & MLFPK MODELS INCLUDE: Insert: Fully Assembled and Instructions **SOLD SEPARATELY: (FPPK-MLFPK) Input Flex Line: SSC24: All models**

Match proper accessories to your fire pit model - see Pg. 49-50.

Need help? Use our fire pit selector at hpcfire.com

SQUARE BOWL INSERTS

EI Series



**24VAC MODELS
REQUIRE HPC/
SEBCO 24vac, 100W
Power Supply for
inserts ONLY pg. 56**

Benefits of a Square Bowl Insert:

Sidewall helps with media retention; Pan Lip provides for recessed burner / blowout box...

Features:

Made of #304, 18 gauge Stainless Steel
Raised hub burner for water prevention
Welded gas fitting for strength
Weep holes for drainage

MLFPK Series



FPPK Series

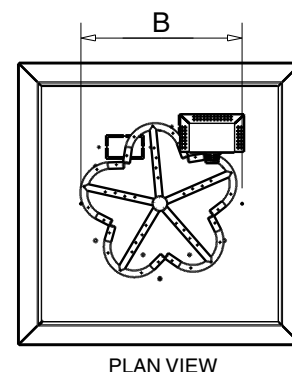
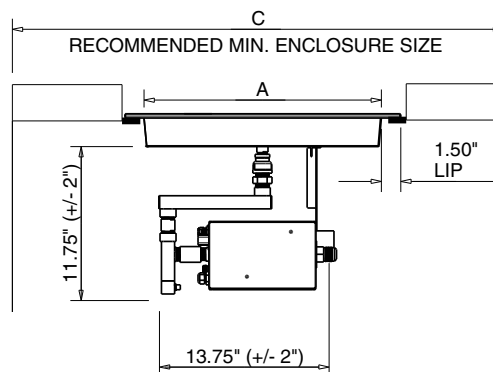


**SIK36 -
MANUAL SPARK
IGNITION for
match lit fire pits
pg. 47**

SPECIFICATIONS

AVAILABLE IN:
120VAC OR 24VAC
ON/OFF OR HI/LO
MATERIAL: 304 STAINLESS STEEL
HI/LO MODELS HAVE A 40% REDUCTION IN
BTU ON LOW SETTING

SIZE	DIMENSION CHART		
	A"	B"	C" Pit Size
18"	18	12	54
24"	24	18	54
30"	30	24	54
36"	36	30	72
42"	42	36	80



ACCESSORIES



EI Accessories (Pg. 56):
Timers, Power Supplies, E-Stop

**MLFPK Paver
Bracket - Pg. 47**

**FPPK Mounting
Sleeve - Pg. 47**

**Wind Guards:
Pg. 44**

**Covers:
Pg. 45**

**Media:
Pg. 42**

18 **⚠ WARNING: California PROP 65:** This product can expose you to Lead & Chromium, which is known to the State of California to cause cancer and birth defects or other reproductive harm. For more information go to www.P65Warnings.ca.gov.

Inspired by safety. Innovated for your lifestyle.



See Pg. 12 for EI System Features



Electronic Ignition Models - EI Series Specifications

Size	Power	Gas type	Model - Flame ON/OFF	Model - Bluetooth (HI/LO)	BURNER	Max BTU
18"	120vac	Natural Gas	18SSEI-SQBL-NG/120VAC	18SSEI-SQBL-HI/LO-NG/120VAC	12" Penta	65k
		Liquid Propane	18SSEI-SQBL-LP/120VAC	18SSEI-SQBL-HI/LO-LP/120VAC		
* 24vac	24vac	Natural Gas	18SSEI-SQBL-NG/24VAC	18SSEI-SQBL-HI/LO-NG/24VAC	18" Penta	125k
		Liquid Propane	18SSEI-SQBL-LP/24VAC	18SSEI-SQBL-HI/LO-LP/24VAC		
24"	120vac	Natural Gas	24SSEI-SQBL-NG/120VAC	24SSEI-SQBL-HI/LO-NG/120VAC	18" Penta	125k
		Liquid Propane	24SSEI-SQBL-LP/120VAC	24SSEI-SQBL-HI/LO-LP/120VAC		
* 24vac	24vac	Natural Gas	24SSEI-SQBL-NG/24VAC	24SSEI-SQBL-HI/LO-NG/24VAC	24" Penta	200k
		Liquid Propane	24SSEI-SQBL-LP/24VAC	24SSEI-SQBL-HI/LO-LP/24VAC		
30"	120vac	Natural Gas	30SSEI-SQBL-NG/120VAC	30SSEI-SQBL-HI/LO-NG/120VAC	24" Penta	200k
		Liquid Propane	30SSEI-SQBL-LP/120VAC	30SSEI-SQBL-HI/LO-LP/120VAC		
* 24vac	24vac	Natural Gas	30SSEI-SQBL-NG/24VAC	30SSEI-SQBL-HI/LO-NG/24VAC	30" Penta	250k
		Liquid Propane	30SSEI-SQBL-LP/24VAC	30SSEI-SQBL-HI/LO-LP/24VAC		
36"	120vac	Natural Gas	36SSEI-SQBL-NG/120VAC	36SSEI-SQBL-HI/LO-NG/120VAC	30" Penta	250k
		Liquid Propane	36SSEI-SQBL-LP/120VAC	36SSEI-SQBL-HI/LO-LP/120VAC		
* 24vac	24vac	Natural Gas	36SSEI-SQBL-NG/24VAC	36SSEI-SQBL-HI/LO-NG/24VAC	36" Penta	400k
		Liquid Propane	36SSEI-SQBL-LP/24VAC	36SSEI-SQBL-HI/LO-LP/24VAC		
42"	120vac	Natural Gas	42SSEI-SQBL-NG/120VAC	N/A	36" Penta	400k
		Liquid Propane	42SSEI-SQBL-LP/120VAC	N/A		
* 24vac	24vac	Natural Gas	42SSEI-SQBL-NG/24VAC	N/A	36" Penta	400k
		Liquid Propane	42SSEI-SQBL-LP/24VAC	N/A		

EI MODELS INCLUDE: *Insert: Fully Assembled. Flex Line: Gas Input and Instructions SOLD SEPARATELY (EI INSERT): On/Off Models 120VAC- Remote: 578-C: See Pg. 56.* ***IMPORTANT: 24vac Models REQUIRE HPC/SEBCO 24vac, 100W Power Supply pg. 56**

See Pg. 11 for FPPK System Features



Push Button/Flame Sense Models - FPPK Flex Series Specifications

Size	Gas type	Model	Remote Small Tank Model	Burner	Max BTU	* Flex Line
18"	Natural Gas	FPPK18-SQBL-FLEX-NG		12" Penta	65k	36"
	Liquid Propane	FPPK18-SQBL-FLEX-LP	FPPK18-SQBL-FLEX-LP-ST			
24"	Natural Gas	FPPK24-SQBL-FLEX-NG		18" Penta	90k	36"
	Liquid Propane	FPPK24-SQBL-FLEX-LP	FPPK24-SQBL-FLEX-LP-ST			
30"	Natural Gas	FPPK30-SQBL-FLEX-NG		24" Penta	140k	36"
	Liquid Propane	FPPK30-SQBL-FLEX-LP				
36"	Natural Gas	FPPK36-SQBL-FLEX-NG		30" Penta	140k	36"
	Liquid Propane	FPPK36-SQBL-FLEX-LP				

See Pg. 11 for MLFPK System Features



Match Lit Models - MLFPK Flex Series Specifications

Size	Gas type	Model	Remote Small Tank Model	Burner	Max BTU	* Flex Line
18"	Natural Gas	MLFPK18SQBL-FLEX-NG		12" Penta	65k	36"
	Liquid Propane	MLFPK18SQBL-FLEX-LP	MLFPK18SQBL-FLEX-LP-ST			
24"	Natural Gas	MLFPK24SQBL-FLEX-NG		18" Penta	65k	36"
	Liquid Propane	MLFPK24SQBL-FLEX-LP	MLFPK24SQBL-FLEX-LP-ST			
30"	Natural Gas	MLFPK30SQBL-FLEX-NG		18" Penta	65k	36"
	Liquid Propane	MLFPK30SQBL-FLEX-LP	MLFPK30SQBL-FLEX-LP-ST			

FPPK & MLFPK MODELS INCLUDE: *Insert: Fully Assembled and Instructions SOLD SEPARATELY: (FPPK-MLFPK) Input Flex Line: SSC24: All models*

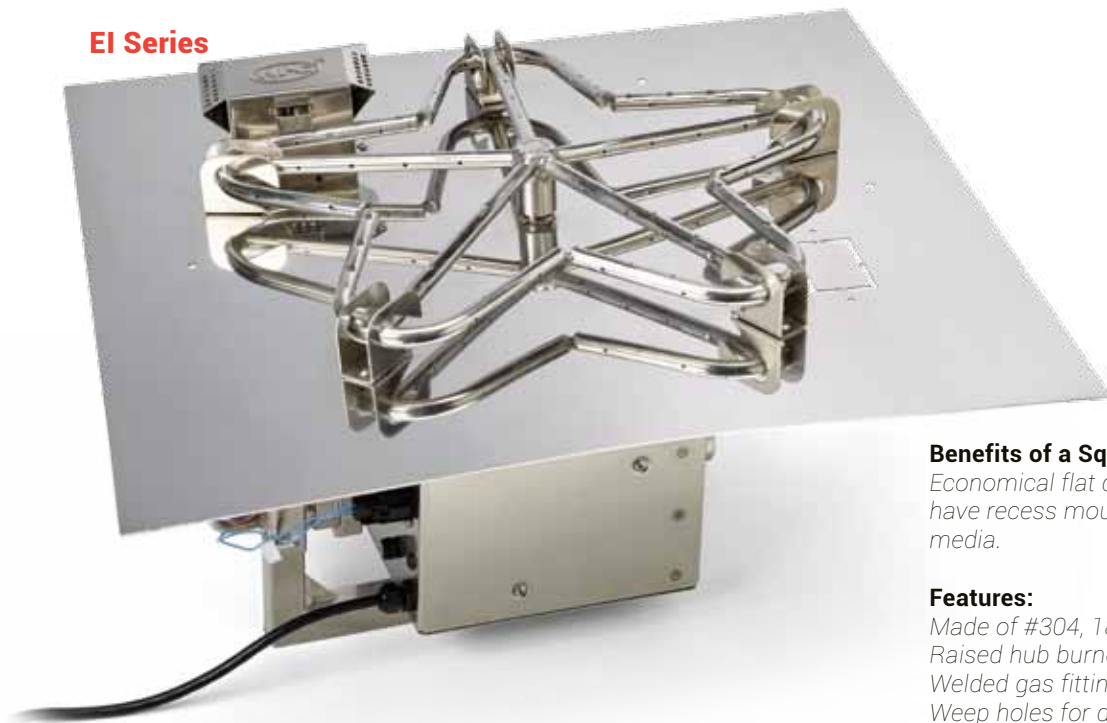
TOP SELLING SIZES

Need help? Use our fire pit selector at hpcfire.com

Match proper accessories to your fire pit model - see Pg. 49-50.

SQUARE FLAT INSERTS

EI Series



24VAC MODELS

REQUIRE HPC/
SEBCO 24vac, 100W
Power Supply for
inserts ONLY pg. 56

Benefits of a Square Flat Insert:

Economical flat design- used in enclosures that have recess mount and internal sidewalls for media.

Features:

Made of #304, 18 gauge Stainless Steel
Raised hub burner for water prevention
Welded gas fitting for strength
Weep holes for drainage

MLFPK Series



FPPK Series



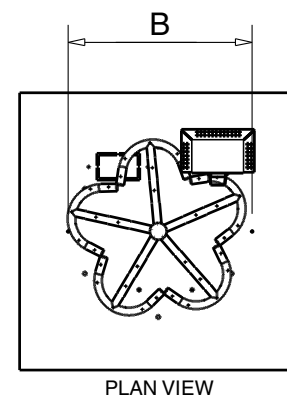
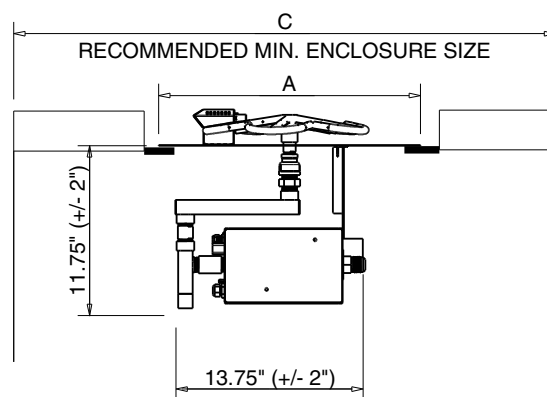
**SIK36 -
MANUAL SPARK
IGNITION** for
match lit fire pits
pg. 47

SPECIFICATIONS

AVAILABLE IN:
120VAC OR 24VAC
ON/OFF OR HI/LO

MATERIAL: 304 STAINLESS STEEL
HI/LO MODELS HAVE A 40% REDUCTION IN
BTU ON LOW SETTING

SIZE	DIMENSION CHART		
	A"	B"	C" Pit Size
18"	18	12	54
24"	24	18	54
30"	30	24	54
36"	36	30	72
42"	42	36	80



ACCESSORIES



EI Accessories (Pg. 56):
Timers, Power Supplies, E-Stop

**MLFPK Paver
Bracket - Pg. 47**

**FPPK Mounting
Sleeve - Pg. 47**

**Wind Guards:
Pg. 44**

**Covers:
Pg. 45**

**Media:
Pg. 42**



See Pg. 12 for EI System Features



Electronic Ignition Models - EI Series Specifications

Size	Power	Gas type	Model - Flame ON/OFF	Model - Bluetooth (HI/LO)	BURNER	Max BTU
18"	120vac	Natural Gas	18FSSEI-SQ-NG/120VAC	18FSSEI-SQ-HI/LO-NG/120VAC	12" Penta	65k
		Liquid Propane	18FSSEI-SQ-LP/120VAC	18FSSEI-SQ-HI/LO-LP/120VAC		
	* 24vac	Natural Gas	18FSSEI-SQ-NG/24VAC	18FSSEI-SQ-HI/LO-NG/24VAC		
		Liquid Propane	18FSSEI-SQ-LP/24VAC	18FSSEI-SQ-HI/LO-LP/24VAC		
24"	120vac	Natural Gas	24FSSEI-SQ-NG/120VAC	24FSSEI-SQ-HI/LO-NG/120VAC	18" Penta	125k
		Liquid Propane	24FSSEI-SQ-LP/120VAC	24FSSEI-SQ-HI/LO-LP/120VAC		
	* 24vac	Natural Gas	24FSSEI-SQ-NG/24VAC	24FSSEI-SQ-HI/LO-NG/24VAC		
		Liquid Propane	24FSSEI-SQ-LP/24VAC	24FSSEI-SQ-HI/LO-LP/24VAC		
30"	120vac	Natural Gas	30FSSEI-SQ-NG/120VAC	30FSSEI-SQ-HI/LO-NG/120VAC	24" Penta	200k
		Liquid Propane	30FSSEI-SQ-LP/120VAC	30FSSEI-SQ-HI/LO-LP/120VAC		
	* 24vac	Natural Gas	30FSSEI-SQ-NG/24VAC	30FSSEI-SQ-HI/LO-NG/24VAC		
		Liquid Propane	30FSSEI-SQ-LP/24VAC	30FSSEI-SQ-HI/LO-LP/24VAC		
36"	120vac	Natural Gas	36FSSEI-SQ-NG/120VAC	36FSSEI-SQ-HI/LO-NG/120VAC	30" Penta	250k
		Liquid Propane	36FSSEI-SQ-LP/120VAC	36FSSEI-SQ-HI/LO-LP/120VAC		
	* 24vac	Natural Gas	36FSSEI-SQ-NG/24VAC	36FSSEI-SQ-HI/LO-NG/24VAC		
		Liquid Propane	36FSSEI-SQ-LP/24VAC	36FSSEI-SQ-HI/LO-LP/24VAC		
42"	120vac	Natural Gas	42FSSEI-SQ-NG/120VAC	N/A	36" Penta	400k
		Liquid Propane	42FSSEI-SQ-LP/120VAC	N/A		
	* 24vac	Natural Gas	42FSSEI-SQ-NG/24VAC	N/A		
		Liquid Propane	42FSSEI-SQ-LP/24VAC	N/A		

EI MODELS INCLUDE: *Insert: Fully Assembled. Flex Line: Gas Input and Instructions SOLD SEPARATELY (EI INSERT): On/Off Models 120VAC- Remote: 578-C: See Pg. 56.* ***IMPORTANT: 24vac Models REQUIRE HPC/SEBCO 24vac, 100W Power Supply pg. 56**

See Pg. 11 for FPPK System Features



Push Button/Flame Sense Models - FPPK Flex Series Specifications

Size	Gas type	Model	Remote Small Tank Model	Burner	Max BTU	* Flex Line
18"	Natural Gas	FPPK18-SQ-FLEX-NG		12" Penta	65k	36"
	Liquid Propane	FPPK18-SQ-FLEX-LP	FPPK18-SQ-FLEX-LP-ST			
24"	Natural Gas	FPPK24-SQ-FLEX-NG		18" Penta	90k	36"
	Liquid Propane	FPPK24-SQ-FLEX-LP	FPPK24-SQ-FLEX-LP-ST			
30"	Natural Gas	FPPK30-SQ-FLEX-NG		24" Penta	140k	36"
	Liquid Propane	FPPK30-SQ-FLEX-LP				
36"	Natural Gas	FPPK36-SQ-FLEX-NG		30" Penta	140k	36"
	Liquid Propane	FPPK36-SQ-FLEX-LP				

See Pg. 11 for MLFPK System Features



Match Lit Models - MLFPK Flex Series Specifications

Size	Gas type	Model	Remote Small Tank Model	Burner	Max BTU	* Flex Line
18"	Natural Gas	MLFPK18SQ-FLEX-NG		12" Penta	65k	36"
	Liquid Propane	MLFPK18SQ-FLEX-LP	MLFPK18SQ-FLEX-LP-ST			
24"	Natural Gas	MLFPK24SQ-FLEX-NG		18" Penta	65k	36"
	Liquid Propane	MLFPK24SQ-FLEX-LP	MLFPK24SQ-FLEX-LP-ST			
30"	Natural Gas	MLFPK30SQ-FLEX-NG		18" Penta	65k	36"
	Liquid Propane	MLFPK30SQ-FLEX-LP	MLFPK30SQ-FLEX-LP-ST			

FPPK & MLFPK MODELS INCLUDE: *Insert: Fully Assembled and Instructions SOLD SEPARATELY: (FPPK-MLFPK) Input Flex Line: SSC24: All models*

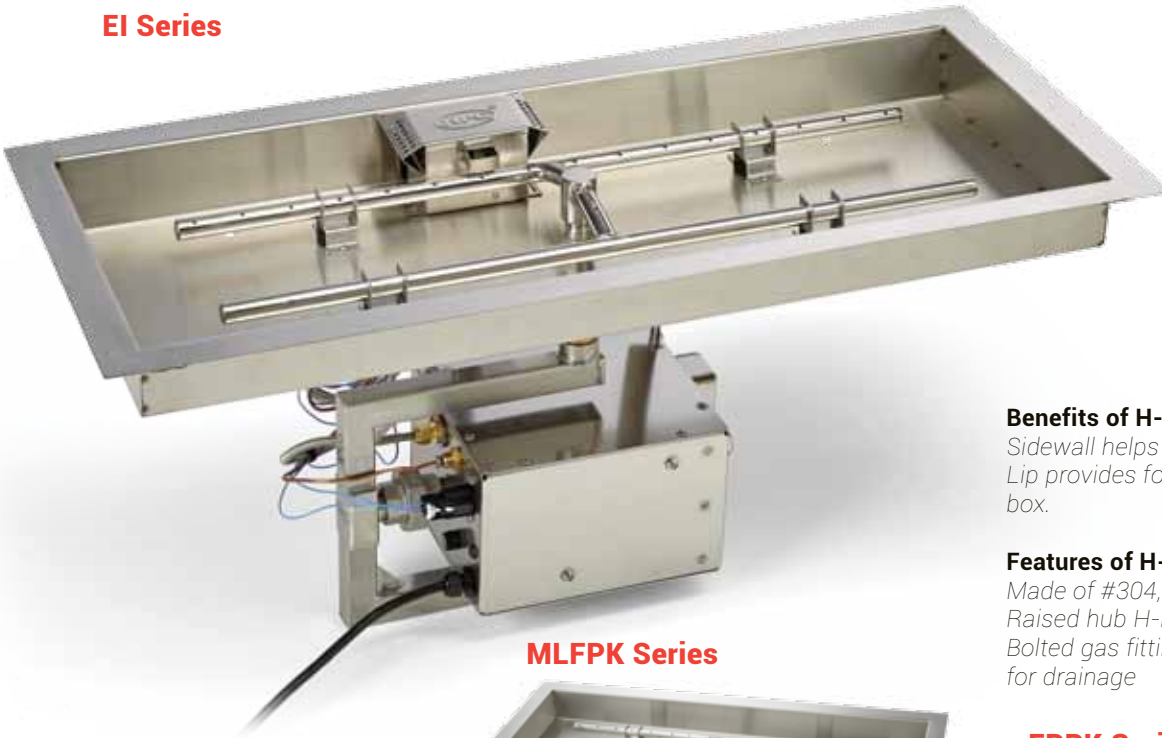
TOP SELLING SIZES

Need help? Use our fire pit selector at hpcfire.com

Match proper accessories to your fire pit model - see Pg. 49-50.

H-BURNER INSERTS

EI Series



24VAC MODELS REQUIRE HPC/ SEBCO 24vac, 100W Power Supply for inserts ONLY pg. 56

Benefits of H-Burner Inserts:

Sidewall helps with media retention; Pan Lip provides for recessed burner / blowout box.

Features of H-Burner Inserts:

Made of #304, 18 gauge Stainless Steel, Raised hub H-burner for water prevention, Bolted gas fitting for strength, Weep holes for drainage

MLFPK Series



FPPK Series

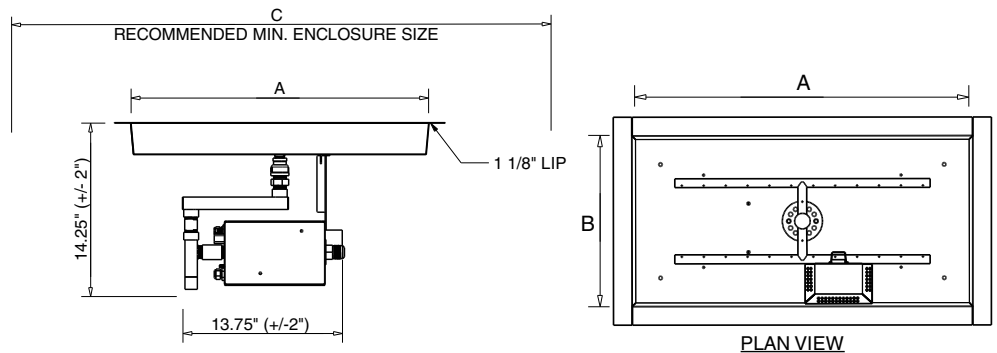


SIK36 - MANUAL SPARK IGNITION for match lit fire pits pg. 47

SPECIFICATIONS

AVAILABLE IN:
120VAC OR 24VAC
ON/OFF OR HI/LO
MATERIAL: 304 STAINLESS STEEL
HI/LO MODELS HAVE A 40% REDUCTION IN BTU ON LOW SETTING

SIZE	DIMENSION CHART		
	A"	B"	C" Pit Size
24X12"	24	12	56LX28W
30X12"	30	12	56LX28W
36X14"	36	14	64LX32W
42X14"	42	14	64LX32W
54X16"	54	16	76LX38W
66X16"	66	16	88LX38W
78X16"	78	16	90LX38W
90X16"	90	16	112LX38W



ACCESSORIES



EI Accessories (Pg. 56):
Timers, Power Supplies, E-Stop



MLFPK Paver Bracket - Pg. 47



FPPK Mounting Sleeve - Pg. 47



Wind Guards:
Pg. 44



Covers:
Pg. 45



Media:
Pg. 42



See Pg. 12 for EI System Features



Electronic Ignition Models - EI Series Specifications

Size (A")	Power	Gas type	Model - Flame ON/OFF	Model - Bluetooth (HI/LO)	Burner	Max BTU
24" X 12"	120vac	Natural Gas	24X12SSEI-H-NG/120VAC		24X12SSEI-H-HI/LO-NG/120VAC	18" X 6"
		Liquid Propane	24X12SSEI-H-LP/120VAC		24X12SSEI-H-HI/LO-LP/120VAC	H-Burner
* 24vac	24vac	Natural Gas	24X12SSEI-H-NG/24VAC		24X12SSEI-H-HI/LO-NG/24VAC	24" X 6"
		Liquid Propane	24X12SSEI-H-LP/24VAC		24X12SSEI-H-HI/LO-LP/24VAC	H-Burner
30" X 12"	120vac	Natural Gas	30X12SSEI-H-NG/120VAC		30X12SSEI-H-HI/LO-NG/120VAC	24" X 6"
		Liquid Propane	30X12SSEI-H-LP/120VAC		30X12SSEI-H-HI/LO-LP/120VAC	H-Burner
* 24vac	24vac	Natural Gas	30X12SSEI-H-NG/24VAC		30X12SSEI-H-HI/LO-NG/24VAC	30" X 8"
		Liquid Propane	30X12SSEI-H-LP/24VAC		30X12SSEI-H-HI/LO-LP/24VAC	H-Burner
36" X 14"	120vac	Natural Gas	36X14SSEI-H-NG/120VAC		36X14SSEI-H-HI/LO-NG/120VAC	30" X 8"
		Liquid Propane	36X14SSEI-H-LP/120VAC		36X14SSEI-H-HI/LO-LP/120VAC	H-Burner
* 24vac	24vac	Natural Gas	36X14SSEI-H-NG/24VAC		36X14SSEI-H-HI/LO-NG/24VAC	36" X 8"
		Liquid Propane	36X14SSEI-H-LP/24VAC		36X14SSEI-H-HI/LO-LP/24VAC	H-Burner
42" X 14"	120vac	Natural Gas	42X14SSEI-H-NG/120VAC		42X14SSEI-H-HI/LO-NG/120VAC	36" X 8"
		Liquid Propane	42X14SSEI-H-LP/120VAC		42X14SSEI-H-HI/LO-LP/120VAC	H-Burner
* 24vac	24vac	Natural Gas	42X14SSEI-H-NG/24VAC		42X14SSEI-H-HI/LO-NG/24VAC	48" X 10"
		Liquid Propane	42X14SSEI-H-LP/24VAC		42X14SSEI-H-HI/LO-LP/24VAC	H-Burner
54" X 16"	120vac	Natural Gas	54X16SSEI-H-NG/120VAC		54X16SSEI-H-HI/LO-NG/120VAC	48" X 10"
		Liquid Propane	54X16SSEI-H-LP/120VAC		54X16SSEI-H-HI/LO-LP/120VAC	H-Burner
* 24vac	24vac	Natural Gas	54X16SSEI-H-NG/24VAC		54X16SSEI-H-HI/LO-NG/24VAC	60" X 10"
		Liquid Propane	54X16SSEI-H-LP/24VAC		54X16SSEI-H-HI/LO-LP/24VAC	H-Burner
66" X 16"	120vac	Natural Gas	66X16SSEI-H-NG/120VAC		66X16SSEI-H-HI/LO-NG/120VAC	60" X 10"
		Liquid Propane	66X16SSEI-H-LP/120VAC		66X16SSEI-H-HI/LO-LP/120VAC	H-Burner
* 24vac	24vac	Natural Gas	66X16SSEI-H-NG/24VAC		66X16SSEI-H-HI/LO-NG/24VAC	72" X 10"
		Liquid Propane	66X16SSEI-H-LP/24VAC		66X16SSEI-H-HI/LO-LP/24VAC	H-Burner
78" X 16"	120vac	Natural Gas	78X16SSEI-H-NG/120VAC		78X16SSEI-H-HI/LO-NG/120VAC	72" X 10"
		Liquid Propane	78X16SSEI-H-LP/120VAC		78X16SSEI-H-HI/LO-LP/120VAC	H-Burner
* 24vac	24vac	Natural Gas	78X16SSEI-H-NG/24VAC		78X16SSEI-H-HI/LO-NG/24VAC	84" X 10"
		Liquid Propane	78X16SSEI-H-LP/24VAC		78X16SSEI-H-HI/LO-LP/24VAC	H-Burner
90" X 16"	120vac	Natural Gas	90X16SSEI-H-NG/120VAC	NA	84" X 10"	350k
		Liquid Propane	90X16SSEI-H-LP/120VAC	NA	H-Burner	
* 24vac	24vac	Natural Gas	90X16SSEI-H-NG/24VAC	NA		
		Liquid Propane	90X16SSEI-H-LP/24VAC	NA		

EI MODELS INCLUDE: Insert: Fully Assembled. Flex Line: Gas Input and Instructions SOLD SEPARATELY (EI INSERT): On/Off Models 120VAC- Remote: 578-C: See Pg. 56.

***IMPORTANT: 24vac Models REQUIRE HPC/ SEBCO 24vac, 100W Power Supply pg. 56**

TOP SELLING SIZES

See Pg. 11 for FPPK System Features



Push Button/Flame Sense Models - FPPK Flex Series Specifications

Size	Gas type	Model	Remote Small Tank Model	Burner	Max BTU	* Flex Line
24" X 12"	Natural Gas	FPPK24X12-H-FLEX-NG		18" X 6"	75k	36"
	Liquid Propane	FPPK24X12-H-FLEX-LP	FPPK24X12-H-FLEX-LP-ST	H Burner		
30" X 12"	Natural Gas	FPPK30X12-H-FLEX-NG		24" X 6"	90k	36"
	Liquid Propane	FPPK30X12-H-FLEX-LP	FPPK30X12-H-FLEX-LP-ST	H burner		
36" X 14"	Natural Gas	FPPK36X14-H-FLEX-NG		30" X 8"	90k	36"
	Liquid Propane	FPPK36X14-H-FLEX-LP	FPPK36X14-H-FLEX-LP-ST	H Burner		
42" X 14"	Natural Gas	FPPK42X14-H-FLEX-NG		36" X 8"	140k	36"
	Liquid Propane	FPPK42X14-H-FLEX-LP		H Burner		
54" X 16"	Natural Gas	FPPK54X16-H-FLEX-NG		48" X 10"	140k	36"
	Liquid Propane	FPPK54X16-H-FLEX-LP		H Burner		

See Pg. 11 for MLFPK System Features



Match Lit Models - MLFPK Flex Series Specifications

Size	Gas type	Model	Remote Small Tank Model	Burner	Max BTU	* Flex Line
24" X 12"	Natural Gas	MLFPK24X12-H-FLEX-NG		18" X 6"	65k	36"
	Liquid Propane	MLFPK24X12-H-FLEX-LP	MLFPK24X12-H-FLEX-LP-ST	H Burner		
30" X 12"	Natural Gas	MLFPK30X12-H-FLEX-NG		24" X 6"	65k	36"
	Liquid Propane	MLFPK30X12-H-FLEX-LP	MLFPK30X12-H-FLEX-LP-ST	H Burner		
36" X 14"	Natural Gas	MLFPK36X14-H-FLEX-NG		30" X 8"	65k	36"
	Liquid Propane	MLFPK36X14-H-FLEX-LP	MLFPK36X14-H-FLEX-LP-ST	H Burner		

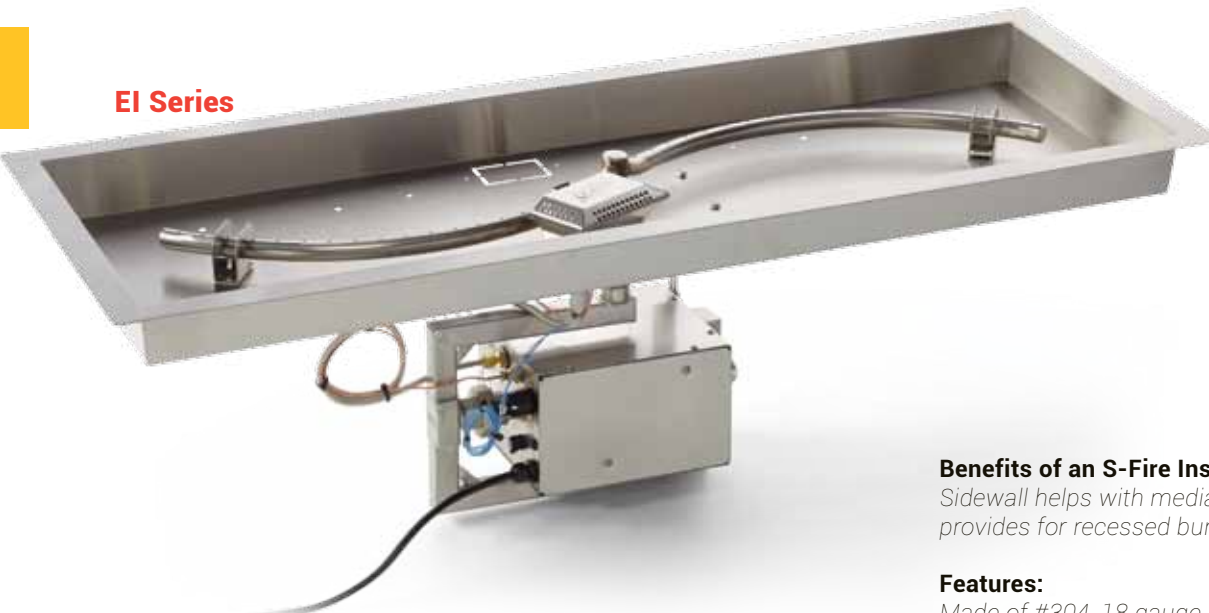
FPPK & MLFPK MODELS INCLUDE: Insert: Fully Assembled and Instructions SOLD SEPARATELY: (FPPK-MLFPK) Input Flex Line: SSC24: All models

Match proper accessories to your fire pit model - see Pg. 49-50.

Need help? Use our fire pit selector at hpcfire.com

S-FIRE INSERTS

EI Series



24VAC MODELS REQUIRE HPC/SEBCO 24vac, 100W Power Supply for inserts ONLY pg. 56

Benefits of an S-Fire Insert:

Sidewall helps with media retention; Pan Lip provides for recessed burner / blowout box.

Features:

Made of #304, 18 gauge Stainless Steel, Raised hub S-Fire burner for water prevention, Bolted gas fitting for strength, Weep holes for drainage.

MLFPK Series



FPPK Series

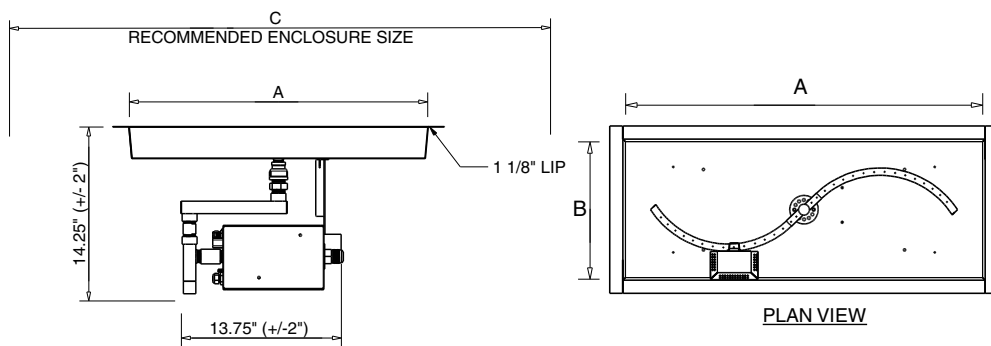


SIK36 - MANUAL SPARK IGNITION for match lit fire pits pg. 47

SPECIFICATIONS

AVAILABLE IN:
120VAC OR 24VAC
ON/OFF OR HI/LO
MATERIAL: 304 STAINLESS STEEL
HI/LO MODELS HAVE A 40% REDUCTION IN BTU ON LOW SETTING

SIZE	DIMENSION CHART		
	A"	B"	C" Pit Size
36X14"	36	14	64LX32W
42X14"	42	14	64LX32W
54X16"	54	16	76LX38W
66X16"	66	16	88LX38W
78X16"	78	16	90LX38W



ACCESSORIES



EI Accessories (Pg. 56):
Timers, Power Supplies, E-Stop

MLFPK Paver Bracket - Pg. 47

FPPK Mounting Sleeve - Pg. 47

Wind Guards: Pg. 44

Covers: Pg. 45

Media: Pg. 42



See Pg. 12 for EI System Features



Electronic Ignition Models - EI Series Specifications

Size	Power	Gas type	Model - Flame ON/OFF	Model - Bluetooth (HI/LO)	BURNER	Max BTU
36" X 14"	120vac	Natural Gas	36X14SSEI-S-NG/120VAC	36X14SSEI-S-HI/LO-NG/120VAC	30" X 8" S-Fire	75k
		Liquid Propane	36X14SSEI-S-LP/120VAC	36X14SSEI-S-HI/LO-LP/120VAC		
	* 24vac	Natural Gas	36X14SSEI-S-NG/24VAC	36X14SSEI-S-HI/LO-NG/24VAC		
		Liquid Propane	36X14SSEI-S-LP/24VAC	36X14SSEI-S-HI/LO-LP/24VAC		
42" X 14"	120vac	Natural Gas	42X14SSEI-S-NG/120VAC	42X14SSEI-S-HI/LO-NG/120VAC	36" X 8" S-Fire	85k
		Liquid Propane	42X14SSEI-S-LP/120VAC	42X14SSEI-S-HI/LO-LP/120VAC		
	* 24vac	Natural Gas	42X14SSEI-S-NG/24VAC	42X14SSEI-S-HI/LO-NG/24VAC		
		Liquid Propane	42X14SSEI-S-LP/24VAC	42X14SSEI-S-HI/LO-LP/24VAC		
54" X 16"	120vac	Natural Gas	54X16SSEI-S-NG/120VAC	54X16SSEI-S-HI/LO-NG/120VAC	48" X 10" S-Fire	110k
		Liquid Propane	54X16SSEI-S-LP/120VAC	54X16SSEI-S-HI/LO-LP/120VAC		
	* 24vac	Natural Gas	54X16SSEI-S-NG/24VAC	54X16SSEI-S-HI/LO-NG/24VAC		
		Liquid Propane	54X16SSEI-S-LP/24VAC	54X16SSEI-S-HI/LO-LP/24VAC		
66" X 16"	120vac	Natural Gas	66X16SSEI-S-NG/120VAC	66X16SSEI-S-HI/LO-NG/120VAC	60" X 10" S-Fire	135k
		Liquid Propane	66X16SSEI-S-LP/120VAC	66X16SSEI-S-HI/LO-LP/120VAC		
	* 24vac	Natural Gas	66X16SSEI-S-NG/24VAC	66X16SSEI-S-HI/LO-NG/24VAC		
		Liquid Propane	66X16SSEI-S-LP/24VAC	66X16SSEI-S-HI/LO-LP/24VAC		
78" X 16"	120vac	Natural Gas	78X16SSEI-S-NG/120VAC	78X16SSEI-S-HI/LO-NG/120VAC	72" X 10" S-Fire	165k
		Liquid Propane	78X16SSEI-S-LP/120VAC	78X16SSEI-S-HI/LO-LP/120VAC		
	* 24vac	Natural Gas	78X16SSEI-S-NG/24VAC	78X16SSEI-S-HI/LO-NG/24VAC		
		Liquid Propane	78X16SSEI-S-LP/24VAC	78X16SSEI-S-HI/LO-LP/24VAC		

EI MODELS INCLUDE: *Insert: Fully Assembled. Flex Line: Gas Input and Instructions SOLD SEPARATELY (EI INSERT): On/Off Models 120VAC- Remote: 578-C: See Pg. 56.*

***IMPORTANT: 24vac Models REQUIRE HPC/ SEBCO 24vac, 100W Power Supply pg. 56**

See Pg. 11 for FPPK System Features



Push Button/Flame Sense Models - FPPK Flex Series Specifications

Size	Gas type	Model	Remote Small Tank Model	Burner	Max BTU	* Flex Line
36" X 14"	Natural Gas	FPPK36X14-S-FLEX-NG		30" X 8" S-Fire	75k	36"
	Liquid Propane	FPPK36X14-S-FLEX-LP	FPPK36X14-S-FLEX-LP-ST			
42" X 14"	Natural Gas	FPPK42X14-S-FLEX-NG		36" X 8" S-Fire	90k	36"
	Liquid Propane	FPPK42X14-S-FLEX-LP	FPPK42X14-S-FLEX-LP-ST			
54" X 16"	Natural Gas	FPPK54X16-S-FLEX-NG		48" X 10" S-Fire	140k	36"
	Liquid Propane	FPPK54X16-S-FLEX-LP				

See Pg. 11 for MLFPK System Features



Match Lit Models - MLFPK Flex Series Specifications

Size	Gas type	Model	Remote Small Tank Model	Burner	Max BTU	* Flex Line
36" X 14"	Natural Gas	MLFPK36X14-S-FLEX-NG		30" X 8" S-Fire	65k	36"
	Liquid Propane	MLFPK36X14-S-FLEX-LP	MLFPK36X14-S-FLEX-LP-ST			

FPPK & MLFPK MODELS INCLUDE: *Insert: Fully Assembled and Instructions SOLD SEPARATELY: (FPPK-MLFPK) Input Flex Line: SSC24: All models*

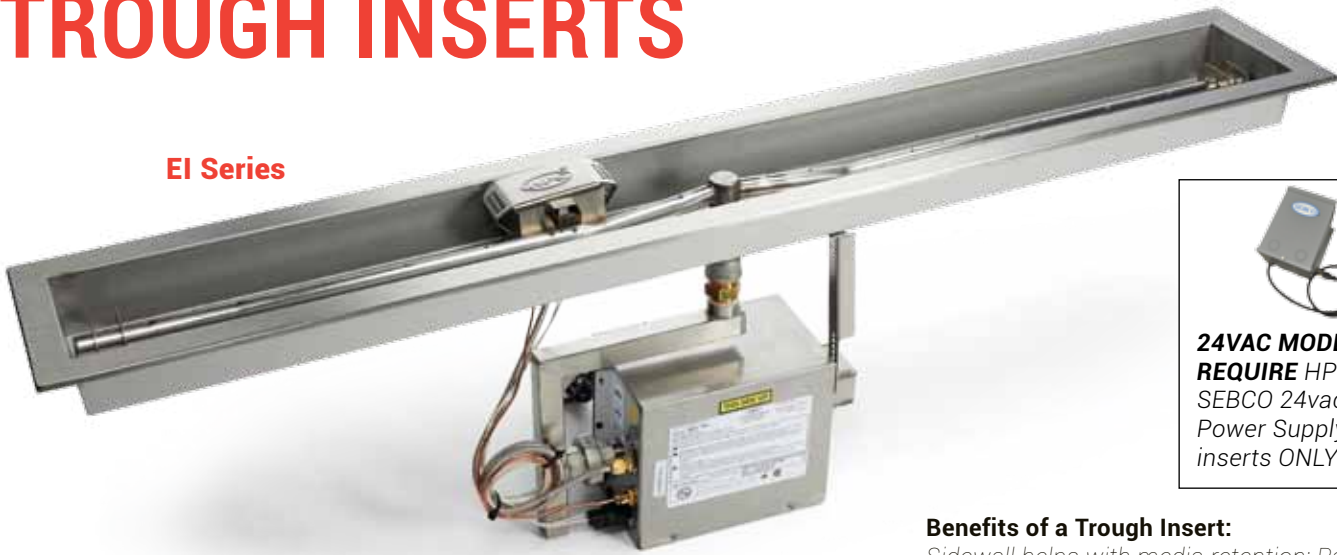
TOP SELLING SIZES

Need help? Use our fire pit selector at hpcfire.com

Match proper accessories to your fire pit model - see Pg. 49-50.

TROUGH INSERTS

EI Series



24VAC MODELS REQUIRE HPC/ SEBCO 24vac, 100W Power Supply for inserts ONLY pg. 56

Benefits of a Trough Insert:
Sidewall helps with media retention; Pan Lip provides for recessed burner / blowout box.

Features:
Made of #304 Stainless Steel (48" and smaller- 18g, 60" and larger- 16g)
Sidewalls adds rigidity- stronger than flat pans
Weep holes for drainage

MLFPK Series



FPPK Series

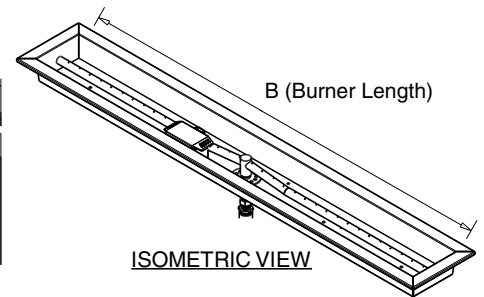
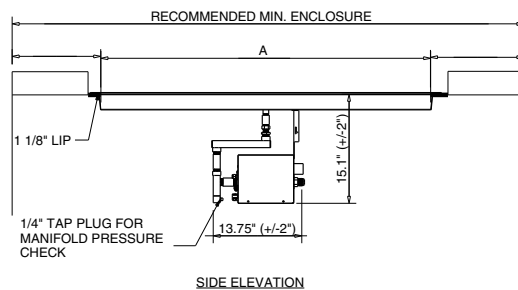


SIK36 - MANUAL SPARK IGNITION for match lit fire pits pg. 47

SPECIFICATIONS

AVAILABLE IN:
120VAC OR 24VAC
ON/OFF OR HI/LO
MATERIAL: 304 STAINLESS STEEL
HI/LO MODELS HAVE A 40% REDUCTION IN BTU ON LOW SETTING

SIZE	DIMENSION CHART		
	A"	B"	C" Pit Size
24"	24	23.5	44LX24W
36"	36	35.5	56LX24W
48"	48	47.5	68LX24W
60"	60	59.5	80LX24W
72"	72	71.5	62LX24W
96"	96	95.5	116LX24W



ACCESSORIES



EI Accessories (Pg. 56):
Timers, Power Supplies, E-Stop

MLFPK Paver Bracket - Pg. 47

FPPK Mounting Sleeve - Pg. 44

Wind Guards: Pg. 44

Covers: Pg. 45

Media: Pg. 42



See Pg. 12 for EI System Features



Electronic Ignition Models - EI Series Specifications

Size	Power	Gas type	Model - Flame ON/OFF	Model - Bluetooth (HI/LO)	BURNER	Max BTU
24"	120vac	Natural Gas	24SSEI-TRGH-NG/120VAC	24SSEI-TRGH-HI/LO-NG/120VAC	24" T-Burner	50k
		Liquid Propane	24SSEI-TRGH-LP/120VAC	24SSEI-TRGH-HI/LO-LP/120VAC		
* 24vac	24vac	Natural Gas	24SSEI-TRGH-NG/24VAC	24SSEI-TRGH-HI/LO-NG/24VAC		
		Liquid Propane	24SSEI-TRGH-LP/24VAC	24SSEI-TRGH-HI/LO-LP/24VAC		
36"	120vac	Natural Gas	36SSEI-TRGH-NG/120VAC	36SSEI-TRGH-HI/LO-NG/120VAC	36" T-Burner	75k
		Liquid Propane	36SSEI-TRGH-LP/120VAC	36SSEI-TRGH-HI/LO-LP/120VAC		
* 24vac	24vac	Natural Gas	36SSEI-TRGH-NG/24VAC	36SSEI-TRGH-HI/LO-NG/24VAC		
		Liquid Propane	36SSEI-TRGH-LP/24VAC	36SSEI-TRGH-HI/LO-LP/24VAC		
48"	120vac	Natural Gas	48SSEI-TRGH-NG/120VAC	48SSEI-TRGH-HI/LO-NG/120VAC	48" T-Burner	100k
		Liquid Propane	48SSEI-TRGH-LP/120VAC	48SSEI-TRGH-HI/LO-LP/120VAC		
* 24vac	24vac	Natural Gas	48SSEI-TRGH-NG/24VAC	48SSEI-TRGH-HI/LO-NG/24VAC		
		Liquid Propane	48SSEI-TRGH-LP/24VAC	48SSEI-TRGH-HI/LO-LP/24VAC		
60"	120vac	Natural Gas	60SSEI-TRGH-NG/120VAC	60SSEI-TRGH-HI/LO-NG/120VAC	60" T-Burner	125k
		Liquid Propane	60SSEI-TRGH-LP/120VAC	60SSEI-TRGH-HI/LO-LP/120VAC		
* 24vac	24vac	Natural Gas	60SSEI-TRGH-NG/24VAC	60SSEI-TRGH-HI/LO-NG/24VAC		
		Liquid Propane	60SSEI-TRGH-LP/24VAC	60SSEI-TRGH-HI/LO-LP/24VAC		
72"	120vac	Natural Gas	72SSEI-TRGH-NG/120VAC	72SSEI-TRGH-HI/LO-NG/120VAC	72" T-Burner	150k
		Liquid Propane	72SSEI-TRGH-LP/120VAC	72SSEI-TRGH-HI/LO-LP/120VAC		
* 24vac	24vac	Natural Gas	72SSEI-TRGH-NG/24VAC	72SSEI-TRGH-HI/LO-NG/24VAC		
		Liquid Propane	72SSEI-TRGH-LP/24VAC	72SSEI-TRGH-HI/LO-LP/24VAC		
96"	120vac	Natural Gas	96SSEI-TRGH-NG/120VAC	96SSEI-TRGH-HI/LO-NG/120VAC	96" T-Burner	200k
		Liquid Propane	96SSEI-TRGH-LP/120VAC	96SSEI-TRGH-HI/LO-LP/120VAC		
* 24vac	24vac	Natural Gas	96SSEI-TRGH-NG/24VAC	96SSEI-TRGH-HI/LO-NG/24VAC		
		Liquid Propane	96SSEI-TRGH-LP/24VAC	96SSEI-TRGH-HI/LO-LP/24VAC		

EI MODELS INCLUDE: Insert: Fully Assembled. Flex Line: Gas Input and Instructions SOLD SEPARATELY (EI INSERT): On/Off Models 120VAC- Remote: 578-C: See Pg. 56.

***IMPORTANT: 24vac Models REQUIRE HPC/SEBCO 24vac, 100W Power Supply pg. 56**

See Pg. 11 for FPPK System Features



Push Button/Flame Sense Models - FPPK Flex Series Specifications

Size	Gas type	Model	Remote Small Tank Model	Burner	Max BTU	* Flex Line
24"	Natural Gas	FPPK24-TRGH-FLEX-NG		24" T-Burner	50k	36"
	Liquid Propane	FPPK24-TRGH-FLEX-LP	FPPK24-TRGH-FLEX-LP-ST			
36"	Natural Gas	FPPK36-TRGH-FLEX-NG		36" T-Burner	75k	36"
	Liquid Propane	FPPK36-TRGH-FLEX-LP	FPPK36-TRGH-FLEX-LP-ST			
48"	Natural Gas	FPPK48-TRGH-FLEX-NG		48" T-Burner	90k	36"
	Liquid Propane	FPPK48-TRGH-FLEX-LP	FPPK48-TRGH-FLEX-LP-ST			
60"	Natural Gas	FPPK60-TRGH-FLEX-NG		60" T-Burner	90k	36"
	Liquid Propane	FPPK60-TRGH-FLEX-LP	FPPK60-TRGH-FLEX-LP-ST			
72"	Natural Gas	FPPK72-TRGH-FLEX-NG		72" T-Burner	140k	36"
	Liquid Propane	FPPK72-TRGH-FLEX-LP				
96"	Natural Gas	FPPK96-TRGH-FLEX-NG		96" T-Burner	140k	36"
	Liquid Propane	FPPK96-TRGH-FLEX-LP				

See Pg. 11 for MLFPK System Features



Match Lit Models - MLFPK Flex Series Specifications

Size	Gas type	Model	Remote Small Tank Model	Burner	Max BTU	* Flex Line
24"	Natural Gas	MLFPK24 TRGH-FLEX-NG		24" T-Burner	50k	36"
	Liquid Propane	MLFPK24 TRGH-FLEX-LP	MLFPK24 TRGH-FLEX-LP-ST			
36"	Natural Gas	MLFPK36 TRGH-FLEX-NG		36" T-Burner	65k	36"
	Liquid Propane	MLFPK36 TRGH-FLEX-LP	MLFPK36 TRGH-FLEX-LP-ST			
48"	Natural Gas	MLFPK48 TRGH-FLEX-NG		48" T-Burner	65k	36"
	Liquid Propane	MLFPK48 TRGH-FLEX-LP	MLFPK48 TRGH-FLEX-LP-ST			

FPPK & MLFPK MODELS INCLUDE: Insert: Fully Assembled and Instructions SOLD SEPARATELY: (FPPK-MLFPK) Input Flex Line: SSC24: All models

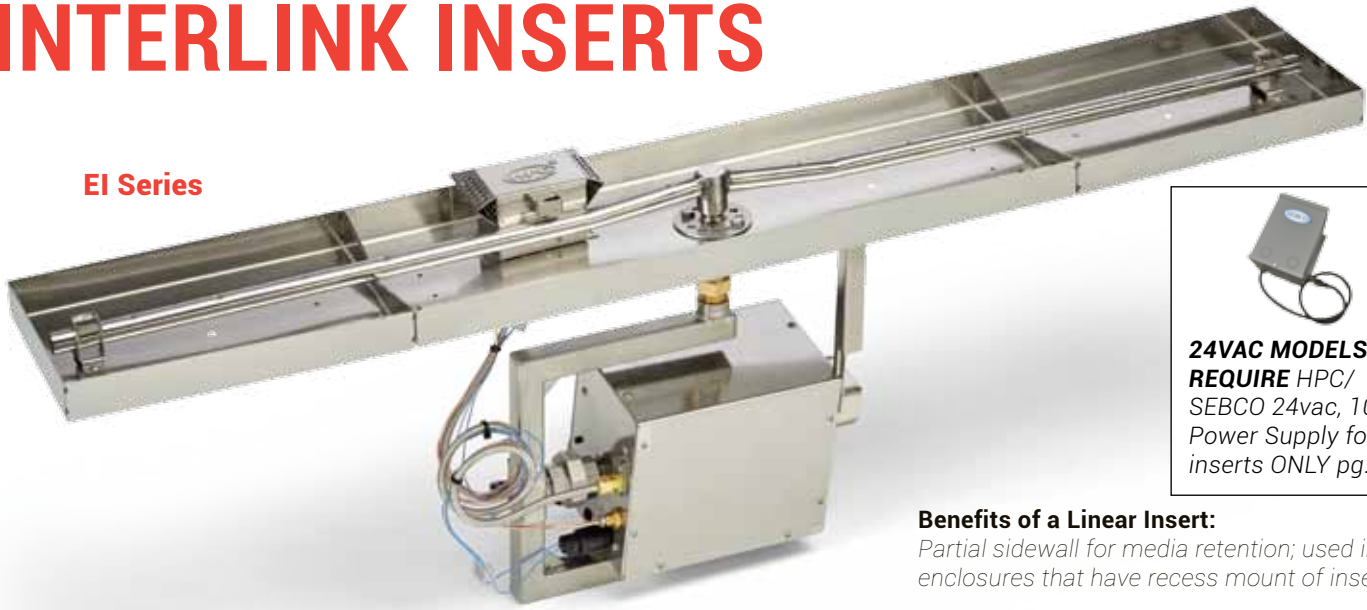
TOP SELLING SIZES

Need help? Use our fire pit selector at hpcfire.com

Match proper accessories to your fire pit model - see Pg. 49-50.

INTERLINK INSERTS

El Series



24VAC MODELS REQUIRE HPC/SEBCO 24vac, 100W Power Supply for inserts ONLY pg. 56

Benefits of a Linear Insert:

Partial sidewall for media retention; used in enclosures that have recess mount of insert.

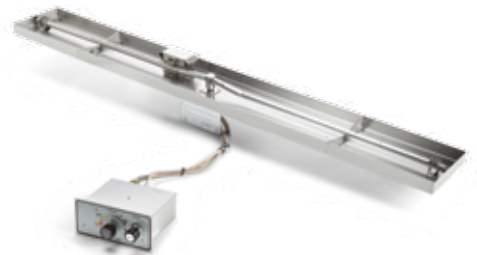
Features:

Made of #304, 18 gauge Stainless Steel
Sidewalls adds rigidity- stronger than flat pans
Removable center section on larger models
Raised hub T-Burner for water prevention
Secure gas fitting for strength
Weep holes for drainage

MLFPK Series



FPPK Series

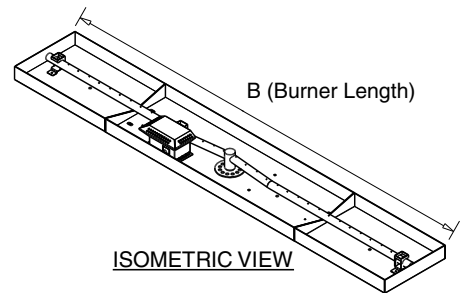
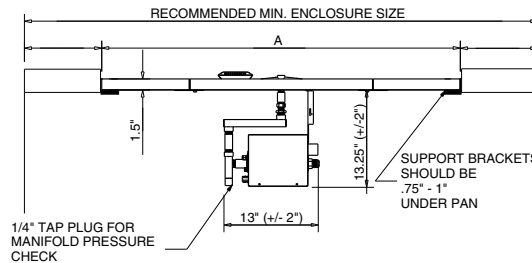


SIK36 - MANUAL SPARK IGNITION for match lit fire pits pg. 47

SPECIFICATIONS

AVAILABLE IN:
120VAC OR 24VAC
ON/OFF OR HI/LO
MATERIAL: 304 STAINLESS STEEL
HI/LO MODELS HAVE A 40% REDUCTION IN BTU ON LOW SETTING

SIZE	DIMENSION CHART		
	A"	B"	C" Pit Size
25X8"	25	24	45LX24W
37X8"	37	36	57LX24W
49X8"	49	48	69LX24W
61X8"	61	60	81LX24W
73X8"	73	72	93LX24W
97X8"	97	96	117LX24W
121X8"	121	120	141LX24W



ACCESSORIES



El Accessories (Pg. 56):
Timers, Power Supplies, E-Stop

MLFPK Paver Bracket - Pg. 47

FPPK Mounting Sleeve - Pg. 47

Wind Guards: Pg. 44

Covers: Pg. 45

Media: Pg. 42



See Pg. 12 for EI System Features



Electronic Ignition Models - EI Series Specifications

Size	Power	Gas type	Model - Flame ON/OFF	Model - Bluetooth (HI/LO)	BURNER	Max BTU
25" X 8"	120vac	Natural Gas	25X8SSEI-L-NG/120VAC	25X8SSEI-L-HI/LO-NG/120VAC	24" T-Burner	50k
		Liquid Propane	25X8SSEI-L-LP/120VAC	25X8SSEI-L-HI/LO-LP/120VAC		
* 24vac	24vac	Natural Gas	25X8SSEI-L-NG/24VAC	25X8SSEI-L-HI/LO-NG/24VAC	24" T-Burner	50k
		Liquid Propane	25X8SSEI-L-LP/24VAC	25X8SSEI-L-HI/LO-LP/24VAC		
37" X 8"	120vac	Natural Gas	37X8SSEI-L-NG/120VAC	37X8SSEI-L-HI/LO-NG/120VAC	36" T-Burner	75k
		Liquid Propane	37X8SSEI-L-LP/120VAC	37X8SSEI-L-HI/LO-LP/120VAC		
* 24vac	24vac	Natural Gas	37X8SSEI-L-NG/24VAC	37X8SSEI-L-HI/LO-NG/24VAC	36" T-Burner	75k
		Liquid Propane	37X8SSEI-L-LP/24VAC	37X8SSEI-L-HI/LO-LP/24VAC		
49" X 8"	120vac	Natural Gas	49X8SSEI-L-NG/120VAC	49X8SSEI-L-HI/LO-NG/120VAC	48" T-Burner	100k
		Liquid Propane	49X8SSEI-L-LP/120VAC	49X8SSEI-L-HI/LO-LP/120VAC		
* 24vac	24vac	Natural Gas	49X8SSEI-L-NG/24VAC	49X8SSEI-L-HI/LO-NG/24VAC	48" T-Burner	100k
		Liquid Propane	49X8SSEI-L-LP/24VAC	49X8SSEI-L-HI/LO-LP/24VAC		
61" X 8"	120vac	Natural Gas	61X8SSEI-L-NG/120VAC	61X8SSEI-L-HI/LO-NG/120VAC	60" T-Burner	125k
		Liquid Propane	61X8SSEI-L-LP/120VAC	61X8SSEI-L-HI/LO-LP/120VAC		
* 24vac	24vac	Natural Gas	61X8SSEI-L-NG/24VAC	61X8SSEI-L-HI/LO-NG/24VAC	60" T-Burner	125k
		Liquid Propane	61X8SSEI-L-LP/24VAC	61X8SSEI-L-HI/LO-LP/24VAC		
73" X 8"	120vac	Natural Gas	73X8SSEI-L-NG/120VAC	73X8SSEI-L-HI/LO-NG/120VAC	72" T-Burner	150k
		Liquid Propane	73X8SSEI-L-LP/120VAC	73X8SSEI-L-HI/LO-LP/120VAC		
* 24vac	24vac	Natural Gas	73X8SSEI-L-NG/24VAC	73X8SSEI-L-HI/LO-NG/24VAC	72" T-Burner	150k
		Liquid Propane	73X8SSEI-L-LP/24VAC	73X8SSEI-L-HI/LO-LP/24VAC		
97" X 8"	120vac	Natural Gas	97X8SSEI-L-NG/120VAC	97X8SSEI-L-HI/LO-NG/120VAC	96" T-Burner	200k
		Liquid Propane	97X8SSEI-L-LP/120VAC	97X8SSEI-L-HI/LO-LP/120VAC		
* 24vac	24vac	Natural Gas	97X8SSEI-L-NG/24VAC	97X8SSEI-L-HI/LO-NG/24VAC	96" T-Burner	200k
		Liquid Propane	97X8SSEI-L-LP/24VAC	97X8SSEI-L-HI/LO-LP/24VAC		
121" X 8"	120vac	Natural Gas	121X8SSEI-L-NG/120VAC	121X8SSEI-L-HI/LO-NG/120VAC	120" T-Burner	250k
		Liquid Propane	121X8SSEI-L-LP/120VAC	121X8SSEI-L-HI/LO-LP/120VAC		
* 24vac	24vac	Natural Gas	121X8SSEI-L-NG/24VAC	121X8SSEI-L-HI/LO-NG/24VAC	120" T-Burner	250k
		Liquid Propane	121X8SSEI-L-LP/24VAC	121X8SSEI-L-HI/LO-LP/24VAC		

EI MODELS INCLUDE: Insert: Fully Assembled. Flex Line: Gas Input and Instructions SOLD SEPARATELY (EI INSERT): On/Off Models 120VAC- Remote: 578-C: See Pg. 56.

***IMPORTANT: 24vac Models REQUIRE HPC/ SEBCO 24vac, 100W Power Supply pg. 56**

TOP SELLING SIZES

See Pg. 11 for FPPK System Features



Push Button/Flame Sense Models - FPPK Flex Series Specifications

Size	Gas type	Model	Remote Small Tank Model	Burner	Max BTU	* Flex Line
25" X 8"	Natural Gas	FPPK25X8-L-FLEX-NG		24" T-Burner	50k	36"
	Liquid Propane	FPPK25X8-L-FLEX-LP	FPPK25X8-L-FLEX-LP-ST			
37" X 8"	Natural Gas	FPPK37X8-L-FLEX-NG		36" T-Burner	75k	36"
	Liquid Propane	FPPK37X8-L-FLEX-LP	FPPK37X8-L-FLEX-LP-ST			
49" X 8"	Natural Gas	FPPK49X8-L-FLEX-NG		48" T-Burner	90k	36"
	Liquid Propane	FPPK49X8-L-FLEX-LP	FPPK49X8-L-FLEX-LP-ST			
61" X 8"	Natural Gas	FPPK61X8-L-FLEX-NG		60" T-Burner	90k	36"
	Liquid Propane	FPPK61X8-L-FLEX-LP	FPPK61X8-L-FLEX-LP-ST			
73" X 8"	Natural Gas	FPPK73X8-L-FLEX-NG		72" T-Burner	140k	36"
	Liquid Propane	FPPK73X8-L-FLEX-LP				
97" X 8"	Natural Gas	FPPK97X8-L-FLEX-NG		96" T-Burner	140k	36"
	Liquid Propane	FPPK97X8-L-FLEX-LP				

See Pg. 11 for MLFPK System Features



Match Lit Models - MLFPK Flex Series Specifications

Size	Gas type	Model	Remote Small Tank Model	Burner	Max BTU	* Flex Line
25" X 8"	Natural Gas	MLFPK25X8-L-FLEX-NG		24" T-Burner	50k	36"
	Liquid Propane	MLFPK25X8-L-FLEX-LP	MLFPK25X8-L-FLEX-LP-ST			
37" X 8"	Natural Gas	MLFPK37X8-L-FLEX-NG		36" T-Burner	65k	36"
	Liquid Propane	MLFPK37X8-L-FLEX-LP	MLFPK37X8-L-FLEX-LP-ST			
49" X 8"	Natural Gas	MLFPK49X8-L-FLEX-NG		48" T-Burner	65k	36"
	Liquid Propane	MLFPK49X8-L-FLEX-LP	MLFPK49X8-L-FLEX-LP-ST			

FPPK & MLFPK MODELS INCLUDE: Insert: Fully Assembled and Instructions SOLD SEPARATELY: (FPPK-MLFPK) Input Flex Line: SSC24: All models

Match proper accessories to your fire pit model - see Pg. 49-50.

OUTDOOR FIREPLACE BURNERS

FIREPLACE SERIES ALL-IN-ONE BURNERS

HPC is broadening the field of outdoor gas fires by introducing a new line of Outdoor Gas Fireplace Burners. Ideally suited for retrofit or new construction applications, these Outdoor Fireplace Burners come in two

distinctive styles: A Dual Step Burner in two sizes; and a Linear Burner that comes in six sizes (up to 87" long)!

SELLING POINTS

Adjustable Feet



High Setting



Low Setting

EI Pilot



Two Designs: Dual Step & Linear
Linear Burners fit fireplaces that measure 36" up to 96"
Bluetooth Electronic Ignition and Flame Sense Models
CSA Approved for Safety Assurance
Low Profile with Multiple Media Choices
NEMA-rated Valve for Weather Resistance
Limited Lifetime Warranty on Burners and Pans



Benefits of a Dual Step Insert:

Bluetooth Electronic Ignition and Flame Sense Models
CSA Certified for Safety Assurance
Low Profile with Multiple Media Choices
NEMA-rated Valve for Weather Resistance
Lifetime Warranty on Burners and Pans

PBFS Series

EI Series

Features:

Lifetime Warranty on Burners and Pans
2 sizes available to fit the most popular outdoor fireplaces 36" & 42" in width
H-Burner design with rear leg elevated
Burner pan is rear height adjustable for flame presence flexibility
Weep holes integrated in burner for water shedding
Stainless Steel, Powder Coated Black

DUAL STEP - H-BURNER - ELECTRONIC IGNITION (EI)

Size	Power	Gas type	Model - Flame ON/OFF	Model - Bluetooth (HI/LO)	Burner	Max BTU	Pan Size	Fits Fireplace Size
22"	120vac	Natural Gas	DBOF22EI-NG/120VAC	DBOF22EI-HI/LO-NG/120VAC	21"	90k	22" X 10"	36"
		Liquid Propane	DBOF22EI-LP/120VAC	DBOF22EI-HI/LO-LP/120VAC				
	24vac	Natural Gas	DBOF22EI-NG/24VAC	DBOF22EI-HI/LO-NG/24VAC	21"	90k	22" X 10"	36"
		Liquid Propane	DBOF22EI-LP/24VAC	DBOF22EI-HI/LO-LP/24VAC				
28"	120vac	Natural Gas	DBOF28EI-NG/120VAC	DBOF28EI-HI/LO-NG/120VAC	27"	110k	28" X 10"	42"
		Liquid Propane	DBOF28EI-LP/120VAC	DBOF28EI-HI/LO-LP/120VAC				
	24vac	Natural Gas	DBOF28EI-NG/24VAC	DBOF28EI-HI/LO-NG/24VAC	27"	110k	28" X 10"	42"
		Liquid Propane	DBOF28EI-LP/24VAC	DBOF28EI-HI/LO-LP/24VAC				

DUAL STEP - H-BURNER - PUSH BUTTON / FLAME SENSING (PBFS) WITH CONTROL BOX

Size	Gas type	Model	Burner	Max BTU	Pan Size	Fits Fireplace size
27"	Natural Gas	DBOF27PBFS-NG	21"	90k	27" X 10"	36"
	Liquid Propane	DBOF27PBFS-LP				
33"	Natural Gas	DBOF33PBFS-NG	27"	110k	33" X 10"	42"
	Liquid Propane	DBOF33PBFS-LP				



EI Series



Benefits of a Linear Insert:

- Bluetooth Electronic Ignition and Flame Sense Models
- CSA Certified for Safety Assurance
- Linear Burners fit fireplaces that measure 36" up to 96"
- Low Profile with Multiple Media Choices
- NEMA-rated Valve for Weather Resistance
- Lifetime Warranty on Burners and Pans



CSA Certified

PBFS Series



Features:

- Lifetime Warranty on Burners and Pans
- 6 sizes available for outdoor fireplaces ranging from 36" to 96" in width
- Low Profile burner design
- Weep holes integrated in burner for water shedding
- Stainless Steel, Powder Coated Black

LINEAR - ELECTRONIC IGNITION (EI)

Size	Power	Gas type	Model - Flame ON/OFF	Model - Bluetooth (HI/LO)	Burner	Max BTU	Pan Size	Fits Fireplace Size
22"	120vac	Natural Gas	LBOF22EI-NG/120VAC	LBOF22EI-HI/LO-NG/120VAC	21"	50k	22" X 6"	36"
		Liquid Propane	LBOF22EI-LP/120VAC	LBOF22EI-HI/LO-LP/120VAC				
	24vac	Natural Gas	LBOF22EI-NG/24VAC	LBOF22EI-HI/LO-NG/24VAC	21"	50k	22" X 6"	36"
		Liquid Propane	LBOF22EI-LP/24VAC	LBOF22EI-HI/LO-LP/24VAC				
28"	120vac	Natural Gas	LBOF28EI-NG/120VAC	LBOF28EI-HI/LO-NG/120VAC	27"	75k	28" X 6"	42"
		Liquid Propane	LBOF28EI-LP/120VAC	LBOF28EI-HI/LO-LP/120VAC				
	24vac	Natural Gas	LBOF28EI-NG/24VAC	LBOF28EI-HI/LO-NG/24VAC	27"	75k	28" X 6"	42"
		Liquid Propane	LBOF28EI-LP/24VAC	LBOF28EI-HI/LO-LP/24VAC				
46"	120vac	Natural Gas	LBOF46EI-NG/120VAC	LBOF46EI-HI/LO-NG/120VAC	45"	100k	46" X 6"	60"
		Liquid Propane	LBOF46EI-LP/120VAC	LBOF46EI-HI/LO-LP/120VAC				
	24vac	Natural Gas	LBOF46EI-NG/24VAC	LBOF46EI-HI/LO-NG/24VAC	45"	100k	46" X 6"	60"
		Liquid Propane	LBOF46EI-LP/24VAC	LBOF46EI-HI/LO-LP/24VAC				
58"	120vac	Natural Gas	LBOF58EI-NG/120VAC	LBOF58EI-HI/LO-NG/120VAC	57"	110k	58" X 6"	72"
		Liquid Propane	LBOF58EI-LP/120VAC	LBOF58EI-HI/LO-LP/120VAC				
	24vac	Natural Gas	LBOF58EI-NG/24VAC	LBOF58EI-HI/LO-NG/24VAC	57"	110k	58" X 6"	72"
		Liquid Propane	LBOF58EI-LP/24VAC	LBOF58EI-HI/LO-LP/24VAC				
70"	120vac	Natural Gas	LBOF70EI-NG/120VAC	LBOF70EI-HI/LO-NG/120VAC	69"	120k	70" X 6"	84"
		Liquid Propane	LBOF70EI-LP/120VAC	LBOF70EI-HI/LO-LP/120VAC				
	24vac	Natural Gas	LBOF70EI-NG/24VAC	LBOF70EI-HI/LO-NG/24VAC	69"	120k	70" X 6"	84"
		Liquid Propane	LBOF70EI-LP/24VAC	LBOF70EI-HI/LO-LP/24VAC				
82"	120vac	Natural Gas	LBOF82EI-NG/120VAC	LBOF82EI-HI/LO-NG/120VAC	81"	130k	82" X 6"	96"
		Liquid Propane	LBOF82EI-LP/120VAC	LBOF82EI-HI/LO-LP/120VAC				
	24vac	Natural Gas	LBOF82EI-NG/24VAC	LBOF82EI-HI/LO-NG/24VAC	81"	130k	82" X 6"	96"
		Liquid Propane	LBOF82EI-LP/24VAC	LBOF82EI-HI/LO-LP/24VAC				

LINEAR - PUSH BUTTON / FLAME SENSING (PBFS) WITH CONTROL BOX

Size	Gas type	Model	Burner	Max BTU	Pan Size	Fits Fireplace size
27"	Natural Gas	LBOF27PBFS-NG	21"	50k	27" X 10"	36"
	Liquid Propane	LBOF27PBFS-LP				
33"	Natural Gas	LBOF33PBFS-NG	27"	75k	33" X 10"	42"
	Liquid Propane	LBOF33PBFS-LP				
51"	Natural Gas	LBOF51PBFS-NG	45"	100k	51" X 10"	60"
	Liquid Propane	LBOF51PBFS-LP				
63"	Natural Gas	LBOF63PBFS-NG	57"	110k	63" X 10"	72"
	Liquid Propane	LBOF63PBFS-LP				
75"	Natural Gas	LBOF75PBFS-NG	69"	120k	75" X 10"	84"
	Liquid Propane	LBOF75PBFS-LP				
87"	Natural Gas	LBOF87PBFS-NG	81"	130k	87" X 10"	96"
	Liquid Propane	LBOF87PBFS-LP				

TOP SELLING SIZES

Need help? Use our fire pit selector at hpcfire.com

COPPER BOWL SERIES

MAP
APPLIES

The HPC Copper Bowl Series is available in the Fire Bowl or the Pool Side Fire & Water Bowl models. Both versions are fitted with a CSA Certified match lit (MLFPK) or remote electronic ignition (EI) fire pit insert and are available with both Liquid Propane or Natural Gas. These come in an oil rubbed look with either a hammered finish or a smooth finish, based on model. The

Pool Side Fire & Water Bowls utilize 1" FIP fitting for pool pump connection.

SHIPPING: Both bowl and fire pit insert ship from Ohio warehouse - crate on pallet.

Fire-and-water models now available in 12V for poolside applications.



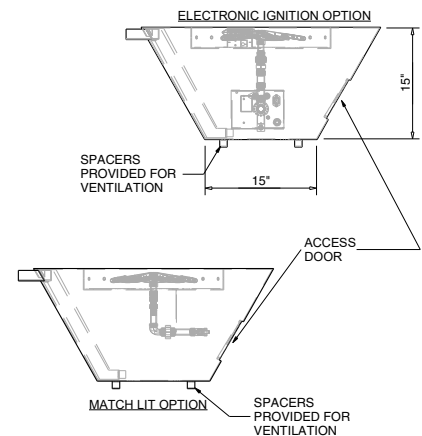
MESA



Mesa
Fire Bowl



Mesa Fire
& Water Bowl



MESA MODELS - REAL HAMMERED COPPER

This round hammered bowl has an oil-rubbed finish. Includes Access Door.

Size: 32" diameter, 15" tall, 15" base
Burner: 12" Penta **Pan:** 18" Flat

12vac Models require HPC/SEBCO 12vac, 100W Power Supply for copper **ONLY pg. 56**

SPECIFICATIONS

Ignition	Bowl Type	Power	Gas type	Models	Max BTU
Electronic Ignition (EI)	Fire	120vac	Natural Gas	MESA32-EI-NG/120VAC	50k
	Fire	24vac	Natural Gas	MESA32-EI-NG/24VAC	50k
	Fire & Water	12vac	Natural Gas	MESA32W-EI-NG/12VAC	50k
Match Lit (MLFPK)	Fire		Natural Gas	MESA32-MLFPK-NG	50k
	Fire & Water		Natural Gas	MESA32W-MLFPK-NG	50k
	Fire & Water		Liquid Propane	MESA32-MLFPK-LP	50k
				MESA32W-MLFPK-LP	50k

32 **WARNING: California PROP 65:** This product can expose you to Lead & Chromium, which is known to the State of California to cause cancer and birth defects or other reproductive harm. For more information go to www.P65Warnings.ca.gov.

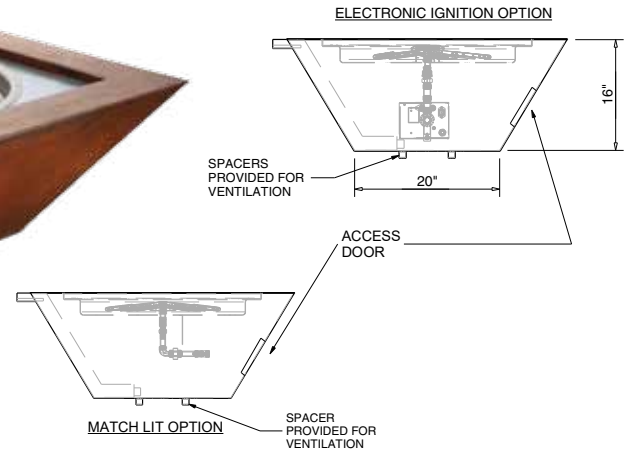
Inspired by safety. Innovated for your lifestyle.

SEDONA



Sedona Fire Bowl

Sedona Fire & Water Bowl



SEDONA MODELS - REAL HAMMERED COPPER

This square hammered bowl has an oil rubbed finish. Includes Access Door.

Size: 40" x 40", 16" tall, 20" x 20" base
Burner: 18" Penta **Pan:** 25" Bowl

12vac Models require HPC/SEBCO 12vac, 100W Power Supply for copper ONLY **pg. 56**

SPECIFICATIONS

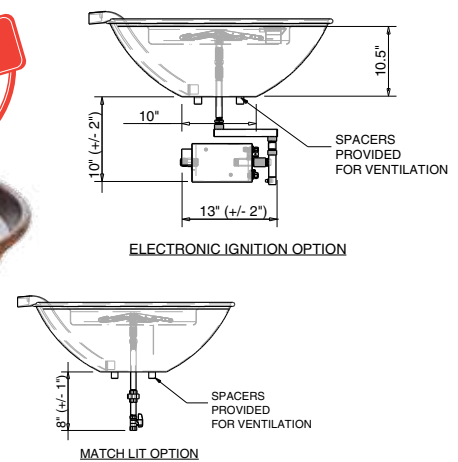
Ignition	Bowl Type	Power	Gas type	Models	Max BTU
Electronic Ignition (EI)	Fire	120vac	Natural Gas	SEDO40-EI-NG/120VAC	100k
			Liquid Propane	SEDO40-EI-LP/120VAC	
	Fire	24vac	Natural Gas	SEDO40-EI-NG/24VAC	100k
			Liquid Propane	SEDO40-EI-LP/24VAC	
Match Lit (MLFPK)	Fire & Water	12vac	Natural Gas	SEDO40W-EI-NG/12VAC	100k
			Liquid Propane	SEDO40W-EI-LP/12VAC	
	Fire		Natural Gas	SEDO40-MLFPK-NG	65k
			Liquid Propane	SEDO40-MLFPK-LP	
Fire & Water		Natural Gas	SEDO40W-MLFPK-NG	65k	
		Liquid Propane	SEDO40W-MLFPK-LP		

TEMPE



Tempe Fire Bowl

Tempe Fire & Water Bowl



TEMPE MODELS - REAL HAMMERED COPPER

This round hammered bowl has an oil rubbed finish. Controls sit below bowl.

Size: 31" diameter, 10.5" tall, 10" base
Burner: 12" Penta **Pan:** 19" Bowl

Tempe - Controls below bowl

12vac Models require HPC/SEBCO 12vac, 100W Power Supply for copper ONLY **pg. 56**

SPECIFICATIONS

Ignition	Bowl Type	Power	Gas type	Models	Max BTU
Electronic Ignition (EI)	Fire	120vac	Natural Gas	TEMP31-EI-NG/120VAC	50k
			Liquid Propane	TEMP31-EI-LP/120VAC	
	Fire	24vac	Natural Gas	TEMP31-EI-NG/24VAC	50k
			Liquid Propane	TEMP31-EI-LP/24VAC	
Match Lit (MLFPK)	Fire & Water	12vac	Natural Gas	TEMP31W-EI-NG/12VAC	50k
			Liquid Propane	TEMP31W-EI-LP/12VAC	
	Fire		Natural Gas	TEMP31-MLFPK-NG	50k
			Liquid Propane	TEMP31-MLFPK-LP	
Fire & Water		Natural Gas	TEMP31W-MLFPK-NG	50k	
		Liquid Propane	TEMP31W-MLFPK-LP		

COPPER BOWL SERIES

MAP
APPLIES

The HPC Phoenix Copper Bowl model is available in Fire Bowl models only. All three versions are fitted with a CSA Certified match lit (MLFPK), push button flame sensing (FPPK) or remote electronic ignition (EI) fire pit insert and are available with either

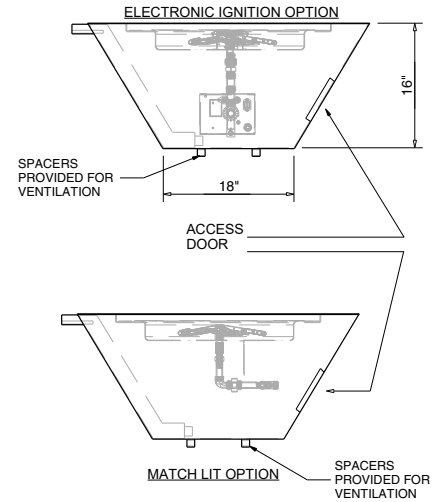
Liquid Propane or Natural Gas. These come in an oil rubbed, hand hammered finish that is a beautiful work of art.
SHIPPING: Both bowl and fire pit insert ship from Ohio warehouse - crate on pallet.

SIERRA



Sierra
Fire Bowl

Sierra Fire
& Water Bowl



SIERRA MODELS - SMOOTH COPPER FINISH SPECIFICATIONS

This square smooth bowl has an oil-rubbed finish. Includes Access Door.

Size: 36" x 36", 16" tall, 18" x 18" base
Burner: 12" Penta **Pan:** 19" Bowl

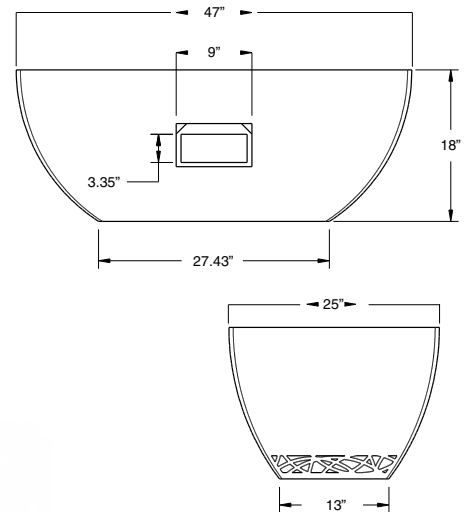
12vac Models require HPC/SEBCO 12vac, 100W Power Supply for copper ONLY **pg. 56**

Ignition	Bowl Type	Power	Gas type	Models	Max BTU
Electronic Ignition	Fire	120vac	Natural Gas	SIER36-EI-NG/120VAC	50k
			Liquid Propane	SIER36-EI-LP/120VAC	
	Fire	24vac	Natural Gas	SIER36-EI-NG/24VAC	50k
			Liquid Propane	SIER36-EI-LP/24VAC	
Match Lit (MLFPK)	Fire & Water	12vac	Natural Gas	SIER36W-EI-NG/12VAC	50k
			Liquid Propane	SIER36W-EI-LP/12VAC	
	Fire		Natural Gas	SIER36-MLFPK-NG	50k
			Liquid Propane	SIER36-MLFPK-LP	
	Fire & Water		Natural Gas	SIER36W-MLFPK-NG	50k
			Liquid Propane	SIER36W-MLFPK-LP	

PHOENIX H-BURNER



Phoenix H-Burner



PHOENIX H-BURNER SPECIFICATIONS

Ignition	Bowl Type	Power	Gas type	Models	Max BTU
Electronic Ignition (EI)	Fire	120vac	Natural Gas	PHOEN47X25/HBURN-EI-NG/120VAC	100k
			Liquid Propane	PHOEN47X25/HBURN-EI-LP/120VAC	
Push Button Flame Sense (FPPK)	Fire		Natural Gas	PHOEN47X25/HBURN-FPPK-NG	90k
			Liquid Propane	PHOEN47X25/HBURN-FPPK-LP	
Match Lit (MLFPK)	Fire		Natural Gas	PHOEN47X25/HBURN-MLFPK-NG	65k
			Liquid Propane	PHOEN47X25/HBURN-MLFPK-LP	

Size: 47" Length, 25" Width, 18" tall, 13" base
Burner: 30" H-Burner **Pan:** 36" x 14"

34 **WARNING: California PROP 65:** This product can expose you to Lead & Chromium, which is known to the State of California to cause cancer and birth defects or other reproductive harm. For more information go to www.P65Warnings.ca.gov.

Inspired by safety. Innovated for your lifestyle.

PHOENIX S-FIRE



Phoenix S-Fire

Access Door - all models



Convenience Feature - Magnetic Access Door for the Push Button Flame Sense (FPPK) and Match Lit (MLFPK) models.

Size: 47" Length, 25" Width, 18" tall, 13" base
Burner: 30" S-Fire **Pan:** 36" x 14"

PHOENIX S-FIRE SPECIFICATIONS

Ignition	Bowl Type	Power	Gas type	Models	Max BTU
Electronic Ignition (EI)	Fire	120vac	Natural Gas	PHOEN47X25/SFIRE-EI-NG/120VAC	75k
			Liquid Propane	PHOEN47X25/SFIRE-EI-LP/120VAC	
Push Button Flame Sense (FPPK)	Fire		Natural Gas	PHOEN47X25/SFIRE-FPPK-NG	75k
			Liquid Propane	PHOEN47X25/SFIRE-FPPK-LP	
Match Lit (MLFPK)	Fire		Natural Gas	PHOEN47X25/SFIRE-MLFPK-NG	65k
			Liquid Propane	PHOEN47X25/SFIRE-MLFPK-LP	

PHOENIX TROUGH



Phoenix Trough

All Phoenix models come Ventilated



Size: 47" Length, 25" Width, 18" tall, 13" base
Burner: 36" Linear Burner Trough
Pan: 36" Trough

PHOENIX TROUGH SPECIFICATIONS

Ignition	Bowl Type	Power	Gas type	Models	Max BTU
Electronic Ignition (EI)	Fire	120vac	Natural Gas	PHOEN47X25/TRGH-EI-NG/120VAC	75k
			Liquid Propane	PHOEN47X25/TRGH-EI-LP/120VAC	
Push Button Flame Sense (FPPK)	Fire		Natural Gas	PHOEN47X25/TRGH-FPPK-NG	75k
			Liquid Propane	PHOEN47X25/TRGH-FPPK-LP	
Match Lit (MLFPK)	Fire		Natural Gas	PHOEN47X25/TRGH-MLFPK-NG	65k
			Liquid Propane	PHOEN47X25/TRGH-MLFPK-LP	

COMPLETE FIRE PIT PACKAGES

These units are unfinished to allow the customer to finish with stone, veneer, or stucco to match their surrounding. Units are available in round, octagon, square, and linear shapes. Housings take the guess work out of enclosure construction - especially with the difficult round and octagon shapes. These are 18" tall and are constructed of sturdy 22 gauge galvanized steel material, welded frame, and a 1/2" hardie board shell, and weigh 150 lbs.

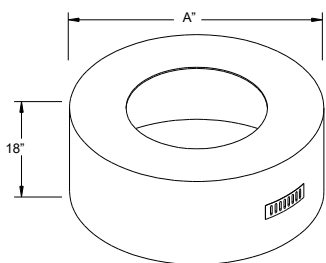
Enclosure ships from North Carolina warehouse on pallet; Fire Pit ships from Ohio warehouse.

HPC offers complete fire pit packages that include unfinished enclosures fitted with a certified remote electronic ignition (EI), push button/flame sense (FPPK) or match lit (MLFPK) fire pit insert.

Now, certain models are available sized to fit a small LP tank inside. Door included. See page 40.



ROUND ENCLOSURE - PENTA BURNER - SPECIFICATIONS



Size: 45" diameter, 18" tall
Insert: 25" Bowl Pan, 18" Penta
Cladding SQ FT:
 Side: 18.5 - Top: 8.1 - Total: 26.6
 Includes 10% Buffer

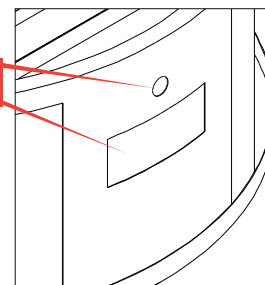
Size: 54" diameter, 18" tall
Insert: 25" Bowl Pan, 18" Penta
Cladding SQ FT:
 Side: 21.1 - Top: 13.5 - Total: 34.6
 Includes 10% Buffer

EI Models Include: Enclosure, Fully Assembled Insert, Input Flex Line and Instructions

FPPK Models Include: Enclosure, Fully Assembled Insert, Mounting Sleeve and Instructions

MLFPK Models Include: Enclosure, Fully Assembled Insert and Instructions

Frame is pre-cut for FPPK or MLFPK.



Ignition	Size (A")	Power	Gas type	Model	Max BTU
Electronic Ignition (EI)	45"	120VAC	Natural Gas	U45R/25SSCEK-NG/120VAC	125k
		120VAC	Liquid Propane	U45R/25SSCEK-LP/120VAC	
	24VAC	Natural Gas	U45R/25SSCEK-NG/24VAC		
		Liquid Propane	U45R/25SSCEK-LP/24VAC		
Push Button-Flame Sense (FPPK)	45"	120VAC	Natural Gas	U45R/FPPK25CEK-NG	90k
		120VAC	Liquid Propane	U45R/FPPK25CEK-LP	
	24VAC	Natural Gas	U45R/FPPK25CEK-NG	90k	
		Liquid Propane	U45R/FPPK25CEK-LP		
Match Lit (MLFPK)	45"	120VAC	Natural Gas	U45R/MLFPK25CEK-NG	65k
		120VAC	Liquid Propane	U45R/MLFPK25CEK-LP	
	54"	Natural Gas	U54R/MLFPK25CEK-NG	65k	
		Liquid Propane	U54R/MLFPK25CEK-LP		

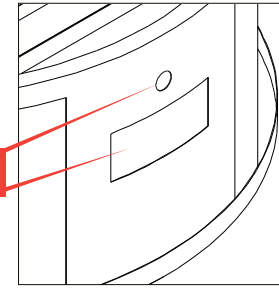
OCTAGON ENCLOSURE- PENTA BURNER - SPECIFICATIONS



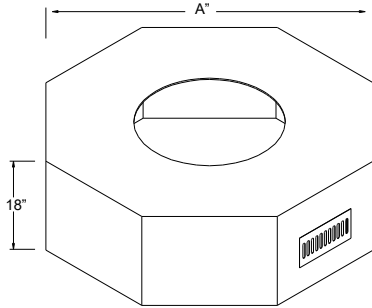
EI Models Include: Enclosure, Fully Assembled Insert, Input Flex Line and Instructions

FPPK Models Include: Enclosure, Fully Assembled Insert, Mounting Sleeve and Instructions

MLFPK Models Include: Enclosure, Fully Assembled Insert and Instructions



Frame is pre-cut for FPPK or MLFPK.



Size: 45" diameter, 18" tall
Insert: 25" Bowl Pan, 18" Penta
Cladding SQ FT:
 Sides: 21 - Top: 9.3 - Total: 30.3
 Includes 10% Buffer

Size: 54" diameter, 18" tall
Insert: 25" Bowl Pan, 18" Penta
Cladding SQ FT:
 Sides: 24.6 - Top: 14.4 - Total: 39
 Includes 10% Buffer

Ignition	Size (A")	Power	Gas type	Model	Max BTU
Electronic Ignition (EI)	45"	120VAC	Natural Gas	U450/25SSCEK-NG/120VAC	125k
			Liquid Propane	U450/25SSCEK-LP/120VAC	
	54"	120VAC	Natural Gas	U540/25SSCEK-NG/120VAC	125k
			Liquid Propane	U540/25SSCEK-LP/120VAC	
Push Button-Flame Sense (FPPK)	45"	120VAC	Natural Gas	U450/FPPK25CEK-NG	90k
			Liquid Propane	U450/FPPK25CEK-LP	
	54"	120VAC	Natural Gas	U540/FPPK25CEK-NG	90k
			Liquid Propane	U540/FPPK25CEK-LP	
Match Lit (MLFPK)	45"	120VAC	Natural Gas	U450/MLFPK25CEK-NG	65k
			Liquid Propane	U450/MLFPK25CEK-LP	
	54"	120VAC	Natural Gas	U540/MLFPK25CEK-NG	65k
			Liquid Propane	U540/MLFPK25CEK-LP	

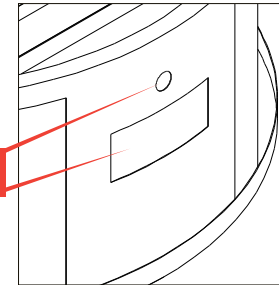
SQUARE ENCLOSURE - PENTA BURNER - SPECIFICATIONS



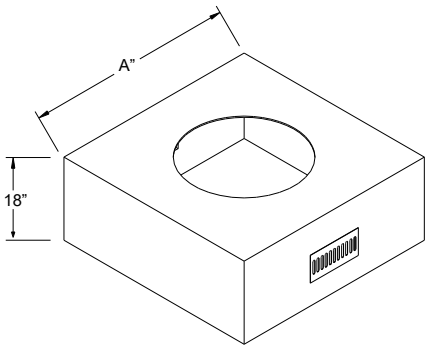
EI Models Include: Enclosure, Fully Assembled Insert, Input Flex Line and Instructions

FPPK Models Include: Enclosure, Fully Assembled Insert, Mounting Sleeve and Instructions

MLFPK Models Include: Enclosure, Fully Assembled Insert and Instructions



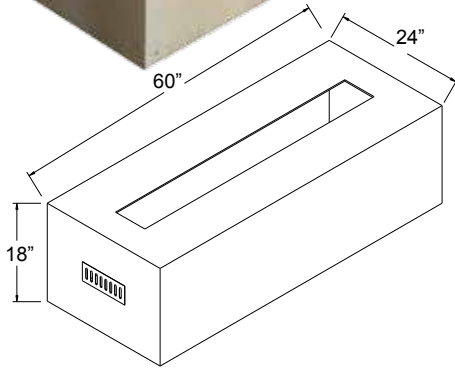
Frame is pre-cut for FPPK or MLFPK.



Size: 45" X 45", 18" tall
Insert: 25" Bowl Pan, 18" Penta
Cladding SQ FT:
 Sides: 11.5 - Top: 22.5 - Total: 34
 Includes 10% Buffer

Ignition	Size (A")	Power	Gas type	Model	Max BTU
Electronic Ignition (EI)	45"	120VAC	Natural Gas	U45S/25SSCEK-NG/120VAC	125k
			Liquid Propane	U45S/25SSCEK-LP/120VAC	
	54"	120VAC	Natural Gas	U54S/25SSCEK-NG/120VAC	125k
			Liquid Propane	U54S/25SSCEK-LP/120VAC	
Push Button - Flame Sense (FPPK)	45"	120VAC	Natural Gas	U45S/FPPK25CEK-NG	90k
			Liquid Propane	U45S/FPPK25CEK-LP	
Match Lit (MLFPK)	45"	120VAC	Natural Gas	U45S/MLFPK25CEK-NG	65k
			Liquid Propane	U45S/MLFPK25CEK-LP	

RECTANGLE ENCLOSURE - INTERLINK BURNER - SPECIFICATIONS



Size: 60" X 24", 18" tall
Insert: 37" X 8" Interlink
Cladding SQ FT:
 Side: 22.5 - Top: 8.6 - Total: 31.3
 Includes 10% Buffer

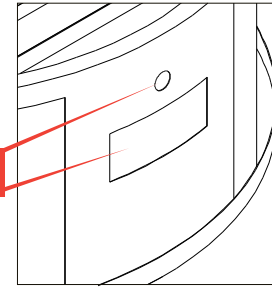
Size: 60" X 24", 18" tall
Insert: 49" X 8" Interlink
Cladding SQ FT:
 Side: 22.5 - Top: 8 - Total: 30.5
 Includes 10% Buffer

EI Models Include: Enclosure, Fully Assembled Insert, Input Flex Line and Instructions

FPPK Models Include: Enclosure, Fully Assembled Insert, Mounting Sleeve and Instructions

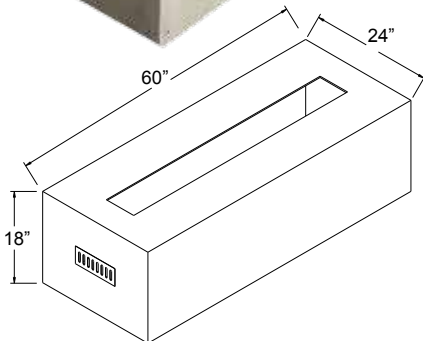
MLFPK Models Include: Enclosure, Fully Assembled Insert and Instructions

FRAME IS PRE-CUT FOR FPPK OR MLFPK.



Ignition	Insert	Power	Gas type	Model	Max BTU
Electronic Ignition (EI)	37" X 8"	120VAC	Natural Gas	U60X24/37X8CEK-NG/120VAC	75k
			Liquid Propane	U60X24/37X8CEK-LP/120VAC	
	49" X 8"	24VAC	Natural Gas	U60X24/37X8CEK-NG/24VAC	
			Liquid Propane	U60X24/37X8CEK-LP/24VAC	
Push Button- Flame Sense (FPPK)	37" X 8"	120VAC	Natural Gas	U60X24/49X8CEK-NG/120VAC	100k
			Liquid Propane	U60X24/49X8CEK-LP/120VAC	
	49" X 8"	24VAC	Natural Gas	U60X24/49X8CEK-NG/24VAC	
			Liquid Propane	U60X24/49X8CEK-LP/24VAC	
Match Lit (MLFPK)	37" X 8"		Natural Gas	U60X24/37X8FPPKCEK-NG	75k
			Liquid Propane	U60X24/37X8FPPKCEK-LP	
	49" X 8"		Natural Gas	U60X24/49X8FPPKCEK-NG	90k
			Liquid Propane	U60X24/49X8FPPKCEK-LP	
Match Lit (MLFPK)	37" X 8"		Natural Gas	U60X24/37X8MLFPKCEK-NG	65k
			Liquid Propane	U60X24/37X8MLFPKCEK-LP	
	49" X 8"		Natural Gas	U60X24/49X8MLFPKCEK-NG	65k
			Liquid Propane	U60X24/49X8MLFPKCEK-LP	

RECTANGLE ENCLOSURE - TROUGH BURNER - SPECIFICATIONS



Size: 60" X 24", 18" tall
Insert: 36" Trough
Cladding SQ FT:
 Side: 22.5 - Top: 9.2 - Total: 31.7
 Includes 10% Buffer

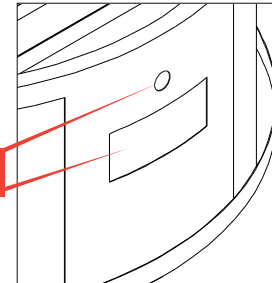
Size: 60" X 24", 18" tall
Insert: " Trough
Cladding SQ FT:
 Side: 22.5 - Top: 8.7 - Total: 31.2
 Includes 10% Buffer

EI Models Include: Enclosure, Fully Assembled Insert, Input Flex Line and Instructions

FPPK Models Include: Enclosure, Fully Assembled Insert, Mounting Sleeve and Instructions

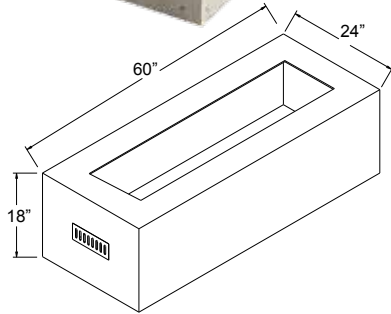
MLFPK Models Include: Enclosure, Fully Assembled Insert and Instructions

Frame is pre-cut for FPPK or MLFPK.



Ignition	Insert	Power	Gas type	Model	Max BTU
Electronic Ignition (EI)	36" Trough	120VAC	Natural Gas	U60X24/36CEK-NG/120VAC	75k
			Liquid Propane	U60X24/36CEK-LP/120VAC	
	48" Trough	24VAC	Natural Gas	U60X24/36CEK-NG/24VAC	
			Liquid Propane	U60X24/36CEK-LP/24VAC	
Push Button- Flame Sense (FPPK)	36" Trough	120VAC	Natural Gas	U60X24/48CEK-NG/120VAC	100k
			Liquid Propane	U60X24/48CEK-LP/120VAC	
	48" Trough	24VAC	Natural Gas	U60X24/48CEK-NG/24VAC	
			Liquid Propane	U60X24/48CEK-LP/24VAC	
Match Lit (MLFPK)	36" Trough		Natural Gas	U60X24/36FPPKCEK-NG	75k
			Liquid Propane	U60X24/36FPPKCEK-LP	
	48" Trough		Natural Gas	U60X24/48FPPKCEK-NG	90k
			Liquid Propane	U60X24/48FPPKCEK-LP	
Match Lit (MLFPK)	36" Trough		Natural Gas	U60X24/36MLFPKCEK-NG	65k
			Liquid Propane	U60X24/36MLFPKCEK-LP	
	48" Trough		Natural Gas	U60X24/48MLFPKCEK-NG	65k
			Liquid Propane	U60X24/48MLFPKCEK-LP	

RECTANGLE ENCLOSURE - H-BURNER - SPECIFICATIONS



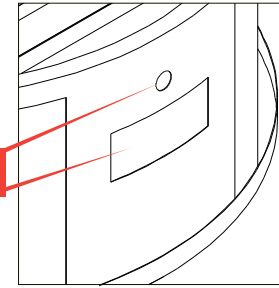
Size: 60" X 24", 18" tall
Insert: 30" X 12" H-Burner
Cladding SQ FT:
 Side: 22.5 - Top: 8.1 - Total: 30.6
 Includes 10% Buffer

Size: 60" X 24", 18" tall
Insert: 36" X 14" H-Burner
Cladding SQ FT:
 Side: 22.5 - Top: 7 - Total: 29.5
 Includes 10% Buffer

EI Models Include: Enclosure, Fully Assembled Insert, Input Flex Line and Instructions

FPPK Models Include: Enclosure, Fully Assembled Insert, Mounting Sleeve and Instructions

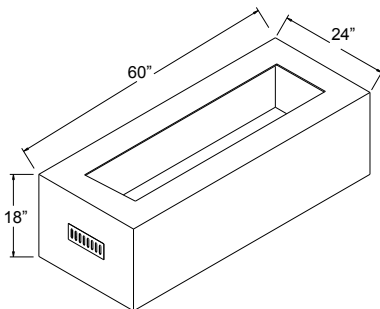
MLFPK Models Include: Enclosure, Fully Assembled Insert and Instructions



Frame is pre-cut for FPPK or MLFPK.

Ignition	Insert	Power	Gas type	Model	Max BTU
Electronic Ignition (EI)	30" X 12"	120VAC	Natural Gas	U60X24/30X12CEK-NG/120VAC	100k
			Liquid Propane	U60X24/30X12CEK-LP/120VAC	
		24VAC	Natural Gas	U60X24/30X12CEK-NG/24VAC	
			Liquid Propane	U60X24/30X12CEK-LP/24VAC	
	36" X 14"	120VAC	Natural Gas	U60X24/36X14CEK-NG/120VAC	125k
			Liquid Propane	U60X24/36X14CEK-LP/120VAC	
		24VAC	Natural Gas	U60X24/36X14CEK-NG/24VAC	
			Liquid Propane	U60X24/36X14CEK-LP/24VAC	
Push Button- Flame Sense (FPPK)	30" X 12"		Natural Gas	U60X24/30X12FPPKCEK-NG	90k
			Liquid Propane	U60X24/30X12FPPKCEK-LP	
	36" X 14"		Natural Gas	U60X24/36X14FPPKCEK-NG	90k
			Liquid Propane	U60X24/36X14FPPKCEK-LP	
Match Lit (MLFPK)	30" X 12"		Natural Gas	U60X24/30X12MLFPKCEK-NG	65k
			Liquid Propane	U60X24/30X12MLFPKCEK-LP	
	36" X 14"		Natural Gas	U60X24/36X14MLFPKCEK-NG	65k
			Liquid Propane	U60X24/36X14MLFPKCEK-LP	

RECTANGLE ENCLOSURE - S-FIRE - SPECIFICATIONS

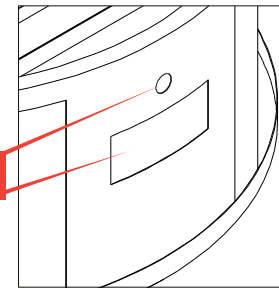


Size: 60" X 24", 18" tall
Insert: 30" X 12" or 36" X 14"
Cladding SQ FT:
 Side: 22.5 - Top: 7 - Total: 29.5
 Includes 10% Buffer

EI Models Include: Enclosure, Fully Assembled Insert, Input Flex Line and Instructions

FPPK Models Include: Enclosure, Fully Assembled Insert, Mounting Sleeve and Instructions

MLFPK Models Include: Enclosure, Fully Assembled Insert and Instructions



Frame is pre-cut for FPPK or MLFPK.

Ignition	Size	Power	Gas type	Model	Max BTU
Electronic Ignition (EI)	60x24x18"	120VAC	Natural Gas	U60X24/SFIRECEK-NG/120VAC	75k
			Liquid Propane	U60X24/SFIRECEK-LP/120VAC	
		24VAC	Natural Gas	U60X24/SFIRECEK-NG/24VAC	
			Liquid Propane	U60X24/SFIRECEK-LP/24VAC	
Push Button - Flame Sense (FPPK)	60x24x18"		Natural Gas	U60X24/SFIREFPPKCEK-NG	75k
			Liquid Propane	U60X24/SFIREFPPKCEK-LP	
Match Lit (MLFPK)	60x24x18"		Natural Gas	U60X24/SFIREMLFPKCEK-NG	65k
			Liquid Propane	U60X24/SFIREMLFPKCEK-LP	



CSA Certified

C US

SQUARE ENCLOSURE - SMALL TANK - PENTA BURNER - SPECIFICATIONS

Size: 54" x 54" diameter, 23.5" tall
Insert: 25" Bowl Pan, 18" Penta
Cladding SQ FT:
 Side: 35.5 - Top: 9.5 - Total: 45
Includes 10% Buffer

Ignition	Size (A")	Gas type	Model	Max BTU
Push Button - Flame Sense (FPPK)	54"	Liquid Propane	UST54S/FPPK25CEK-LP	90k
Match Lit (MLFPK)	54"	Liquid Propane	UST54S/MLFPK25CEK-LP	65k

ROUND ENCLOSURE - SMALL TANK - PENTA BURNER - SPECIFICATIONS

Size: 60" diameter, 23.5" tall
Insert: 25" Bowl Pan, 18" Penta
Cladding SQ FT:
 Side: 30.5 - Top: 17.5 - Total: 48
Includes 10% Buffer

Ignition	Size (A")	Gas type	Model	Max BTU
Push Button - Flame Sense (FPPK)	60"	Liquid Propane	UST60R/FPPK25CEK-LP	90k
Match Lit (MLFPK)	60"	Liquid Propane	UST60R/MLFPK25CEK-LP	65k

RECTANGLE ENCLOSURE - SMALL TANK - TROUGH BURNER - SPECIFICATIONS

Size: 70" x 24" diameter, 23.5" tall
Insert: 36" Trough
Cladding SQ FT:
 Side: 30.5 - Top: 11 - Total: 41.5
Includes 10% Buffer

Ignition	Size (A")	Gas type	Model	Max BTU
Push Button - Flame Sense (FPPK)	70x24"	Liquid Propane	UST70X24/36FPPKCEK-LP	90k
Match Lit (MLFPK)	70x24"	Liquid Propane	UST70X24/36MLFPKCEK-LP	65k
Push Button - Flame Sense (FPPK)	80x24"	Liquid Propane	UST80X24/48FPPKCEK-LP	90k
Match Lit (MLFPK)	80x24"	Liquid Propane	UST80X24/48MLFPKCEK-LP	65k

Size: 80" x 24" diameter, 23.5" tall
Insert: 48" Trough
Cladding SQ FT:
 Side: 34 - Top: 12.5 - Total: 46.5
Includes 10% Buffer

RECTANGLE ENCLOSURE - SMALL TANK - H-BURNER - SPECIFICATIONS

Size: 70" x 24" diameter, 23.5" tall
Insert: 36" x 14" H-Burner
Cladding SQ FT:
 Side: 30.5 - Top: 11 - Total: 41.5
Includes 10% Buffer

Ignition	Size (A")	Gas type	Model	Max BTU
Push Button - Flame Sense (FPPK)	70x24"	Liquid Propane	UST70X24/36X14FPPKCEK-LP	90k
Match Lit (MLFPK)	70x24"	Liquid Propane	UST70X24/36X14MLFPKCEK-LP	65k

RECTANGLE ENCLOSURE - SMALL TANK - INTERLINK BURNER - SPECIFICATIONS

Size: 80" x 24" diameter, 23.5" tall
Insert: 49" x 8" Interlink
Cladding SQ FT:
 Side: 34 - Top: 11.5 - Total: 45.5
Includes 10% Buffer

Ignition	Size (A")	Gas type	Model	Max BTU
Push Button - Flame Sense (FPPK)	80x24"	Liquid Propane	UST80X24/49X8FPPKCEK-LP	90k
Match Lit (MLFPK)	80x24"	Liquid Propane	UST80X24/49X8MLFPKCEK-LP	65k

40 **WARNING: California PROP 65:** This product can expose you to Lead & Chromium, which is known to the State of California to cause cancer and birth defects or other reproductive harm. For more information go to www.P65Warnings.ca.gov.

Inspired by safety. Innovated for your lifestyle.

FIRE LOGS

CONCRETE OUTDOOR LOGS

Second only to the flame itself, nothing says outdoor fire pit like a beautiful set of fire logs. HPC is introducing a new line of fire logs this year. This new line-up features logs that are intricately detailed and

extremely durable. To give our logs a true realistic appearance, they are actually cast from real pieces of wood. Nearly impossible to tell from the real thing! Three distinctive styles, in 9-piece or 16-piece sets.



ARIZONA WEATHERED OAK

A classic look. The Arizona Weathered Oak fire log set features deeply contoured bark, all intricately hand-painted. Beautiful from every angle.

SPECIFICATIONS

Style	Model	Piece	Size
Arizona	FPL18/24AW09	9	12"-18"
Weathered Oak	FPL30/36AW016	16	14"-18"



ASPEN BIRCH

Logs with a contemporary flair, these Aspen Birch fire logs fit very well with rectangular and linear fire pits.

SPECIFICATIONS

Style	Model	Piece	Size
Aspen	FPL18/24AB9	9	11"-18"
Birch	FPL30/36AB16	16	13"-18"



WESTERN DRIFTWOOD

A new design, the Western Driftwood fire log set really looks like its pieces were picked up off the beach. Beautiful whether the fire is burning or not.

SPECIFICATIONS

Style	Model	Piece	Size
Western	FPL18/24WD9	9	10"-18"
Driftwood	FPL30/36WD16	16	10"-21"

LAVA & CERAMIC ROCK

LAVA ROCK



Time tested, Lava Rock is proven to increase combustion efficiency while maintaining a classy look for any fire pit. The size of each piece of rock varies from 1" to 2". Lava rock is sold in 1/2 cubic foot increments. Serves as an excellent base for our specially designed outdoor logs.

Model	Size
657	1"-2" Size

ROLLED LAVA STONE



Unique finish lava stone rolled smooth. Available in 1/2 cubic foot bags.

Color	Model	Size
Black	857S	1"-2" Size
	857M	2.5"-4.5" Size
Red	858S	1"-2" Size

CERAMIC RIVER ROCK SERIES

Looking for something other than lava rock or glass? HPC has a third option for media over your outdoor (or indoor) burner, our River Rock Series. These imitation stones are lightweight ceramic fiber, gel cast and designed to take on the outdoor elements. Each set comes with an 84 piece assortment of large and small stones (large pieces are 4 1/2", small pieces are 2 1/2"). One set is 1/2 cubic foot (15 lbs). Available in two styles – black or multi color (light and dark brown, gray, and black)



Model	Color	Size
FPR84MC	Multicolor	2.5" - 4.5" Size
FPR84BL	Black	2.5" - 4.5" Size

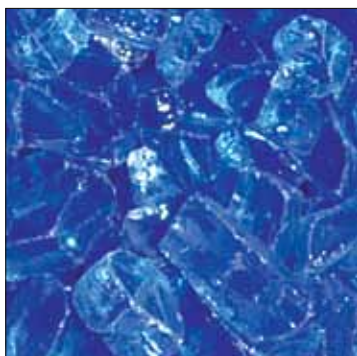
FIRE GLASS

HPC has 10 colors to choose from - The glass shown- is 1/4"

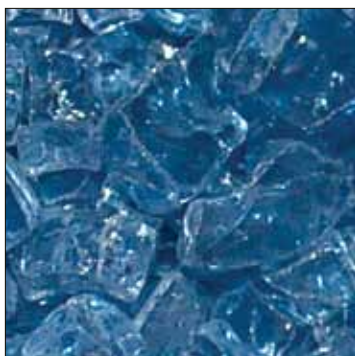
Sold in 10 lb increments (Priced per pound)



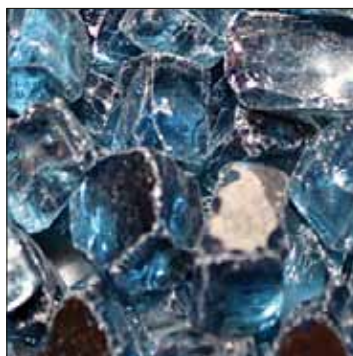
NEED HELP? CHECK OUT OUR GLASS CALCULATOR AT HPCFIRE.COM!



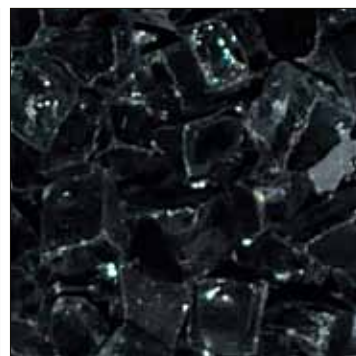
FPGLCOBALTBLUE



FPGLPACIFICBLUE



FPGLPACBLUEREF



FPGLBLACK



FPGLCLEAR



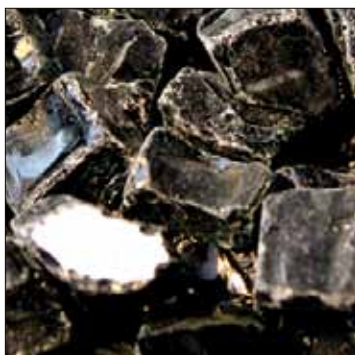
FPGLSTARFIRE



FPGLGRAYREFLEC



FPGLCOPPER



FPGLBLACKREFL



FPGLBRONZE

GLASS WIND GUARDS

HPC provides a high quality glass wind guard specially designed to complement as well as provide additional safety for HPC fire pit inserts of all shapes- round, square, rectangle and linear. These feature a durable tempered glass construction to ensure a long lasting, heat

resistant product. Wind guards reduce flame disturbance of your fire pit and prevent loose items from getting too close to the flames.

Features:

Tempered Glass - Heavy duty 3/16" clear glass is tempered to improve durability and allow it to withstand high temperatures. Depending on wind guard size- 4 or 6 sections complete the desired shape.

Brackets- Polished aluminum brackets and plastic support feet provided.



Round Wind Guard



Square Wind Guard



Rectangle Wind Guard



Linear Wind Guard

Specifications

Shape	Size	Model	Height
Round	23"	WG23-RD	6"
	30"	WG30-RD	6"
	38"	WG38-RD (6 Pieces)	6"
	48"	WG48-RD (6 Pieces)	6"
Square	25x25"	WG25-SQ	6"
	31x31"	WG31-SQ	6"
	37x37"	WG37-SQ	6"
	43x43"	WG43-SQ	6"
	49x49"	WG49-SQ	6"
Rectangle	31x19"	WG31X19-RECT	6"
	37x19"	WG37X19-RECT	6"
	43x21"	WG43X21-RECT	6"
	49x21"	WG49X21-RECT	6"
	61x23"	WG61X23-RECT	6"
Linear	31X15"	WG31X15-L	6"
	43X15"	WG43X15-L	6"
	55X15"	WG55X15-L	6"
	67X15"	WG67X15-L	6"

WIND GUARD REPLACEMENT CLIPS

Replacement clips for HPC Wind Guards (one clip per pack). Please note if needing a bottom clip, will need rubber foot, also found below.

Model	Description
WG-CC-RD	Replacement chrome clip for round wind guards
WG-CC-SQ/RECT	Replacement Chrome Corner Clip For Square & Rectangle Wind Guards

WIND GUARD REPLACEMENT RUBBER FEET

Replacement rubber feet for HPC Wind Guards (one foot per pack).

Model	Description
WG-RUBBER FOOT-RD	Replacement rubber foot for round wind guards
WG-RUBBER FOOT-SQ/RECT	Replacement rubber foot for square & rectangle wind guards



WG-SC



WG-RUBBER FOOT-SQ/RECT



WG-EGS



WG-CC-SQ/RECT

WIND GUARD EXTENSION KIT AND PARTS

The WG-EXT/STR KIT allows you to combine rectangle, linear and square HPC wind guards.

Model	Description
WG-EXT/STR KIT	Complete Kit - 4 Extension chrome straight clips and 4 extension glass supports with rubber foot
WG-SC	Replacement extension chrome straight clip for square & linear wind guards-used for extending lengths on glass panels
WG-EGS	Replacement extension glass support with rubber foot

WG-EXT/STR KIT



WG-EXT/STR KIT installed

FIRE PIT COVERS

ROUND ALUMINUM COVERS - TALL

These lightweight aluminum hard covers are powder coated with UV resistant, high-heat textured black or gloss copper. They are available in two sizes - 32" (15lbs) and 44" (20lbs).

Color	Size	Models	Height	Weight
Copper Vein	32"	FPHC-32C	10"	15 lbs
	44"	FPHC-44C	14"	20 lbs
Black	32"	FPHC-32BL	10"	15 lbs
	44"	FPHC-44BL	14"	20 lbs



ROUND ALUMINUM COVERS - SHORT



Color	Size	Models	Height	Weight
Copper Vein	24"	FPHC-24C	1"	6 lbs
	36"	FPHC-36C	1"	13 lbs
	48"	FPHC-48C	1"	23.5 lbs
Black	24"	FPHC-24BL	1"	6 lbs
	36"	FPHC-36BL	1"	13 lbs
	48"	FPHC-48BL	1"	23.5 lbs

COPPER COVERS FOR COPPER BOWLS



Shape	Finish	Models	Size	Height	Weight
Round	Hammered	FPHC-26TEMP/32MESA	19"	8.5"	7.5 lbs
	Hammered	FPHC-31TEMPE	32"	5.75"	15 lbs
Square	Smooth	FPHC-36SIERRA-SQ	26"X26"	7"	13 lbs
	Hammered	FPHC-40SEDONA-SQ	30"X30"	7"	13.5 lbs

STAINLESS STEEL COVERS

These stainless steel covers are constructed of #304, 20 gauge material with handle. Great for covering fire pits without outdoor logs. Linear trough covers are designed specifically for our trough series, be it match

lit, manual ignition, or remote electronic ignition models. These are lightweight and have handles for ease of use.

LINEAR

Stainless	Size	Model	Height	Handle	Weight
Brushed	28" x 9.5"	TPHC-24SS	1"	1	11 lbs
	40" x 9.5"	TPHC-36SS	1"	1	13 lbs
	52" x 9.5"	TPHC-48SS	1"	2	15 lbs
	64" x 9.5"	TPHC-60SS	1"	2	18lbs

RECTANGLE

Stainless	Size	Model	Height	Handle	Weight
Brushed	28" x 16"	HPHC-24X12SS	1"	1	16 lbs
	34" x 16"	HPHC-30X12SS	1"	1	18 lbs
	40" x 18"	HPHC-36X14SS	1"	1	20 lbs
	46" x 18"	HPHC-42X14SS	1"	2	22 lbs
	58" x 20"	HPHC-54X16SS	1"	2	28 lbs



ACCESSORIES

VINYL COVERS

Made of durable vinyl, these cover and protect a fire pit and enclosure from debris and wet weather. The round covers have elastic and

rectangle covers have a pull string at the bottom for ease of applying and removal. **NOTE: Skirt Length 10"**

ROUND COVERS

Max Size	Models	Fits Enclosures
35"	FPC-35	23" ~ 35"
45"	FPC-45	30" ~ 45"
53"	FPC-53	35" ~ 53"
64"	FPC-64	43" ~ 64"
76"	FPC-76	60" ~ 76"

GREY ROUND COVERS

Max Size	Models	Fits Enclosures
53" x 53"	FPC-53-GR	35" ~ 53"



SQUARE COVERS

Max Size	Models	Fits Enclosures
48" x 48"	FPC-48SQ	36" ~ 48"
60" x 60"	FPC-60SQ	45" ~ 60"

GREY SQUARE COVERS

Max Size	Models	Fits Enclosures
60" x 60"	FPC-60SQ-GR	45" ~ 60"



RECTANGLE COVERS

Max Size	Models	Fits Enclosures
48" x 30"	FPC-44X30	34x20" ~ 44x30"
62" x 30"	FPC-62X30	52x20" ~ 62x30"
78" x 40"	FPC-78X40	68x30" ~ 78x40"
90" x 40"	FPC-90X40	80x30" ~ 90x40"
94" x 30"	FPC-94X30	84x20" ~ 94x30"
102" x 40"	FPC-102X40	92x30" ~ 102x40"
114" x 40"	FPC-114X40	104x30" ~ 114x40"
130" x 30"	FPC-130X30	120x20" ~ 130x30"

GREY SQUARE COVERS

Max Size	Models	Fits Enclosures
78" x 40"	FPC-78X40-GR	45" ~ 60"



EVOLUTION 360 AND H2ONFIRE COVERS

Model	Style
FPC-84WB	Basin
FPC-35	Bowl



TK TORCH COVER - (FPC-TK TORCH)

TK Torch Cover w/Elastic Hem
(3.5" Top Dia x 9.5" Bottom Dia. x 14" Height)



STAINLESS STEEL ACCESS DOORS

Stainless steel access doors are available for all FPPK and MLFPK Hard pipe Models.

Model	Style
AD-RM6X6SS	6x6 Recess Mount
AD-RM8X8SS	8x8 Recess Mount
AD-SM8X8SS	8x8 Surface Mount



Recess Mount

Surface Mount

ENCLOSURE VENTS

Stainless Steel vents for enclosures.

Material	Style	Size	Model
Stainless	Flat	9"x4"	EV-8X4SS
	Flat	12"x6"	EV-12X6SS
	Louvered	14"x4.5"	EV-14X4.5SS



Flat

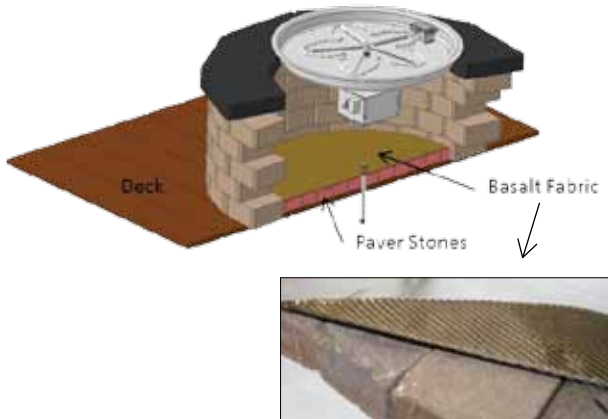
Louvered

DECK INSULATION KIT (EI, FPPK & MLFPK)

This kit is for use when installing a gas fire pit on a wood or composite deck- provides flame and excess heat protection around input flex line connection(s). This basalt insulation is for inside the fire pit enclosure or bowl, is meant to place over a layer of paver blocks (1" min. thickness) commonly found at your local builder's store. Incoming gas stub must protrude through the deck, paver blocks and insulation for fire pit flex line connection. Kit includes basalt insulation and instructions- basalt insulation measures 39.3" x 39.3" (1 sq. meter)- larger fire pits will require more pieces, insulation is easily cut with utility knife. Smaller bowl kit available.

FPI-DECK20SQ - For fire bowls- includes basalt insulation- 19.6" x 19.6"

FPI-DECK39SQ - For fire pits- includes basalt insulation- 39.3" x 39.3" (1 sq. meter).

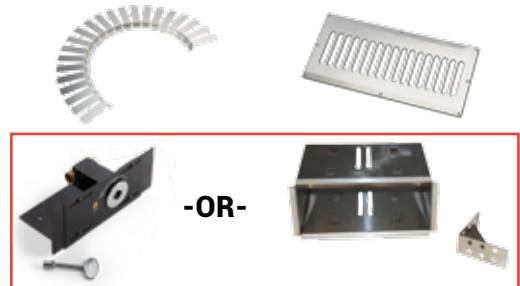


HARDSCAPE BLOCK KIT

This kit is for use when installing a fire pit in ready-made hardscape blocks. The kit includes all the things you'll need to complete the installation (besides the fire pit itself and the block):

- A Flex Form Collar, an adjustable sheet of steel that fits between two horizontal runs of block and holds up the fire pit insert
- Accommodation for the Controls: either a Mounting Bracket for match-lit fire pits; or a Mounting Sleeve for Push-Bottom/Flame Sense models
- Vents. Two of them, measuring 9"x4"

Ignition	Collars	Model
Push Button -	1 Box	HSBK-FPPK-1
Flame Sense (FPPK)	2 Boxes	HSBK-FPPK-2
Match Lit	1 Box	HSBK-ML-1
(MLFPK)	2 Boxes	HSBK-ML-2



PUSH BUTTON / FLAME SENSE MODELS (FPPK) MOUNTING SLEEVE



FPPK-VBMS

This stainless steel sleeve can be mortared in place with block or fastened to stone or metal - adjustable support bracket included. (7.75"W x 3.25"H x 6.25"D)

MATCH LIT MODELS (MLFPK) PAVER BLOCK BRACKET



KVMB-PB

Designed for the Dante Valve, this bracket allows flexibility and installation ease of the MLFPK decorative key valve. The face plate is adjustable from 8" to 12" width accommodating most pavers. The valve is securely mounted to bracket using decorative flange. (8-12"W x 3.875H x 5"D)
IMPORTANT: For use only with DANTE Valve #327-CH (Pg. 55)

REPLACEMENT REMOTE SMALL TANK KIT - LP (FPPK & MLFPK)

STLPK

This kit is for use with CSA certified FPPK and MLFPK fire pit models less than 90k Btu- see fire pit insert section for approved models. The kits includes a 90-degree regulator with 48" hose, 24" Flex Line, small tank L-Bracket and fittings for FPPK or MLFPK connection.

For use with CSA Certified FPPK & MLFPK fire pit inserts only



MATCH LIT SPARK IGNITER KIT

SIK36

Can't find matches or a lighter for a match-lit fire pit? No problem! HPC now offers a "Match-Lit Plus" Spark Ignitor Kit, which is easily installed and makes any match-lit fire pit much more convenient to light. Included in the kit is the spark ignitor itself, plus the battery-activated push-button mounting plate (battery included).



ACCESSORIES

READY TO FINISH ENCLOSURES

These units are unfinished to allow the customer to finish with stone, veneer, or stucco to match their surrounding. Units are available in round, octagon, square, and linear shapes. Housings take the guess work out of enclosure construction - especially with the difficult round and octagon

shapes. These are 18" tall and are constructed of sturdy 22 gauge galvanized steel material, welded frame, and a 1/2" hardiboard shell, and weigh 150 lbs.

Shape	Size	Models	Pan Size
Round	45"X45" X 18"h	FPE45-ROUND	25"
	54"X54" X 18"h	FPE54-ROUND	
Tapered Round	54"X54" X 18"h	FPE54-ROUNDTAP	25"
Square	45"X45" X 18"h	FPE45-SQUARE	25"
Tapered Square	60"X60" X 18"h	FPE60-SQUARETAP	
Octagon	45"X45" X 18"h	FPE45-OCTAGON	25"
	54"X54" X 18"h	FPE54-OCTAGON	
Rectangle	60"X24" X 18"h	FPE60X24-LINEAR	(See CHART A)
		FPE60X24-H-BURNER	
Tapered Box	60"X36" X 18"h	FPE60X36TAP	36" Trough

LINEAR FIRE PIT INSERT OPTIONS: FPE60X24-LINEAR

INTERLINK: 37X8" Fire Pit: FPE60x24-LINEAR/37X8
49X8" Fire Pit: FPE60x24-LINEAR/49X8

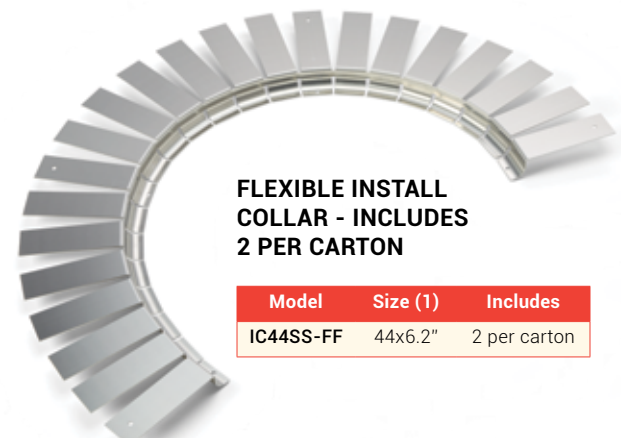
TROUGH: 36" Fire Pit: FPE60x24-LINEAR/36
48" Fire Pit: FPE60x24-LINEAR/48

RECTANGLE: 30x12" Fire Pit: FPE60x24-H-BURNER/30X12
36x14" Fire Pit: FPE60x24-H-BURNER/36X14



FLEX FORM INSTALLATION COLLARS

The flex form install collar merges the gap between the fire pit structure and the insert pan for easy installation and auto centering featured with a curved lip. This flexible install collar allows for an easy 3 step installation saving you time with our one size fits all product. The collar can be formed to fit any shaped fire pit.



FLEXIBLE INSTALL COLLAR - INCLUDES 2 PER CARTON

Model	Size (1)	Includes
IC44SS-FF	44x6.2"	2 per carton

FIRE PIT ACCESSORIES CHART

THIS CHART WILL HELP YOU DETERMINE WHAT SIZE AND HOW MUCH OF AN ACCESSORY IS NEEDED

CONTINUED ON
NEXT PAGE

Size	OPTIONAL COMPONENTS					MEDIA		
	Hardscape Install Kit (Pg. 47)	Vinyl Covers** (Pg. 46)	Outdoor Logs*** (Pg. 41)	Wind Guards**** (Pg. 44)	Install Collar IC44SS-FF 2 per box (Pg. 48)	Lava Rock or Rolled Lava (Pg. 42)	Decorative Glass (Pg. 43)	River Rock (Pg. 42)

ROUND BOWL INSERTS (PG. 14)

Size	HSBK-xx-1	FPC-35	FPL18xx	WG23-RD	1 Box	1 Bag ~ 1/2 cu. ft.	(Lbs)	(Box)
13"	HSBK-xx-1	FPC-35	FPL18xx	WG23-RD	1 Box	1 Bag	20	1
19"	HSBK-xx-1	FPC-45	FPL18xx	WG30-RD	1 Box	2 Bags	40	1
25"	HSBK-xx-1	FPC-45	FPL18xx	WG30-RD	1 Box	2 Bags	60	2
31"	HSBK-xx-1	FPC-53	FPL18xx	WG38-RD	1 Box	2 Bags	90	3
37"	HSBK-xx-2	FPC-53	FPL30xx	WG48-RD	2 Boxes	4 Bags	120	4
43"	HSBK-xx-2	FPC-64	FPL30xx	WG48-RD	2 Boxes	4 Bags	160	5

ROUND FLAT INSERTS (PG. 16)

Size	HSBK-xx-1	FPC-35	FPL18xx	WG23-RD	1 Box	1 Bag	30	1
14"	HSBK-xx-1	FPC-35	FPL18xx	WG23-RD	1 Box	1 Bag	30	1
18"	HSBK-xx-1	FPC-45	FPL18xx	WG23-RD	1 Box	2 Bags	30	1
24"	HSBK-xx-1	FPC-45	FPL18xx	WG30-RD	1 Box	2 Bags	50	2
30"	HSBK-xx-2	FPC-53	FPL18xx	WG38-RD	2 Boxes	2 Bags	80	3
36"	HSBK-xx-2	FPC-53	FPL30xx	WG38-RD	2 Boxes	4 Bags	110	4
42"	HSBK-xx-2	FPC-64	FPL30xx	WG48-RD	2 Boxes	4 Bags	150	5
54"	N/A	FPC-76	FPL30xx	N/A	3 Boxes	6 Bags	250	8

SQUARE BOWL INSERTS (PG. 18)

Size	HSBK-xx-1	FPC-48SQ	FPL18xx	WG25-SQ	1 Box	2 Bags	40	1
18"	HSBK-xx-1	FPC-48SQ	FPL18xx	WG25-SQ	1 Box	2 Bags	40	1
24"	HSBK-xx-2	FPC-48SQ	FPL18xx	WG31-SQ	2 Boxes	2 Bags	70	2
30"	HSBK-xx-2	FPC-60SQ	FPL18xx	WG37-SQ	2 Boxes	2 Bags	110	3
36"	HSBK-xx-2	FPC-60SQ	FPL30xx	WG43-SQ	2 Boxes	6 Bags	150	4
42"	HSBK-xx-2	FPC-60SQ	FPL30xx	WG49-SQ	2 Boxes	6 Bags	190	4

SQUARE FLAT INSERTS (PG. 20)

Size	HSBK-xx-1	FPC-48SQ	FPL18xx	WG25-SQ	1 Box	2 Bags	40	1
18"	HSBK-xx-1	FPC-48SQ	FPL18xx	WG25-SQ	1 Box	2 Bags	40	1
24"	HSBK-xx-2	FPC-48SQ	FPL18xx	WG31-SQ	2 Boxes	2 Bags	70	2
30"	HSBK-xx-2	FPC-60SQ	FPL18xx	WG37-SQ	2 Boxes	2 Bags	100	3
36"	HSBK-xx-2	FPC-60SQ	FPL30xx	WG43-SQ	2 Boxes	6 Bags	140	4
42"	HSBK-xx-2	FPC-60SQ	FPL30xx	WG49-SQ	2 Boxes	6 Bags	190	4

RECTANGLE BOWL INSERTS (PG. 22)

Size	HSBK-xx-1	FPC-62X30	FPL18xx	WG31X19-RECT	1 Box	2 Bags	40	1
24X12"	HSBK-xx-1	FPC-62X30	FPL18xx	WG31X19-RECT	1 Box	2 Bags	40	1
30X12"	HSBK-xx-1	FPC-62X30	FPL18xx	WG37X19-RECT	1 Box	2 Bags	40	2
36X14"	HSBK-xx-2	FPC-78X40	FPL30xx	WG43X21-RECT	2 Boxes	2 Bags	60	2
42X14"	HSBK-xx-2	FPC-78X40	FPL30xx	WG49X21-RECT	2 Boxes	2 Bags	70	3
54X16"	HSBK-xx-2	FPC-78X40	FPL30xx	WG61X23-RECT	2 Boxes	4 Bags	100	3
66X16"	HSBK-xx-2	FPC-90X40	FPL30xx	N/A	2 Boxes	6 Bags	120	4
78X16"	N/A	FPC-102X40	FPL30xx (2)	N/A	3 Boxes	6 Bags	140	4
90X16"	N/A	FPC-114X40	FPL30xx (2)	N/A	3 Boxes	8 Bags	160	5

S-FIRE BURNER INSERTS (PG. 24)

Size	HSBK-xx-2	FPC-78X40	FPL18xx	WG43X21-RECT	2 Boxes	2 Bags	60	2
36X14"	HSBK-xx-2	FPC-78X40	FPL18xx	WG43X21-RECT	2 Boxes	2 Bags	60	2
42X14"	HSBK-xx-2	FPC-78X40	FPL18xx	WG49X21-RECT	2 Boxes	2 Bags	70	3
54X16"	HSBK-xx-2	FPC-78X40	FPL30xx	WG61X23-RECT	2 Boxes	4 Bags	100	3
66X16"	HSBK-xx-2	FPC-90X40	FPL30xx	N/A	2 Boxes	6 Bags	120	4
78X16"	N/A	FPC-102X40	FPL30xx	N/A	3 Boxes	6 Bags	140	4

Notes: **Vinyl Covers: Part numbers listed are commonly used sizes- other vinyl sizes and Hard Covers available (Pg. 46).

***Outdoor Logs: Part numbers listed are commonly used sizes- other sizes available (Pg. 41).

****Wind Guards: Part numbers listed are commonly used sizes- For extra large fire pits, multiple wind guards can be combined to accommodate the larger size - other sizes available (Pg. 44).

FIRE PIT ACCESSORIES CHART

THIS CHART WILL HELP YOU DETERMINE WHAT SIZE AND HOW MUCH OF AN ACCESSORY IS NEEDED

CONTINUED FROM PREVIOUS PAGE

Size	OPTIONAL COMPONENTS					MEDIA		
	Hardscape Install Kit (Pg. 47)	Vinyl Covers** (Pg. 46)	Outdoor Logs*** (Pg. 41)	Wind Guards**** (Pg. 44)	Install Collar IC44SS-FF 2 per box (Pg. 48)	Lava Rock or Rolled Lava (Pg. 42)	Decorative Glass (Pg. 43)	River Rock (Pg. 42)

LINEAR TROUGH INSERTS (PG. 26)

24"	HSBK-xx-1	FPC-44X30	FPL18xx	WG31X15-L	1 Box	1 Bag	20	1
36"	HSBK-xx-2	FPC-62X30	FPL18xx	WG43X15-L	2 Boxes	2 Bags	30	1
48"	HSBK-xx-2	FPC-62X30	FPL30xx	WG55X15-L	2 Boxes	2 Bags	40	1
60"	HSBK-xx-2	FPC-94X30	FPL30xx	WG67X15-L	2 Boxes	2 Bags	40	1
72"	HSBK-xx-2	FPC-94X30	FPL30xx (2)	N/A	2 Boxes	2 Bags	50	2

LINEAR INTERLINK INSERTS (PG. 28)

25X8"	HSBK-xx-1	FPC-44X30	FPL18xx	WG31X15-L	1 Box	1 Bag	20	1
37X8"	HSBK-xx-2	FPC-62X30	FPL18xx	WG43X15-L	2 Boxes	2 Bags	30	1
49X8"	HSBK-xx-2	FPC-62X30	FPL30xx	WG55X15-L	2 Boxes	2 Bags	40	1
61X8"	HSBK-xx-2	FPC-94X30	FPL30xx	WG67X15-L	2 Boxes	2 Bags	40	2
73X8"	HSBK-xx-2	FPC-94X30	FPL30xx (2)	N/A	2 Boxes	4 Bags	50	2
97X8"	HSBK-xx-2	FPC-130X30	FPL30xx (3)	N/A	2 Boxes	4 Bags	60	2
121X8"	N/A	FPC-130X30	FPL30xx (3)	N/A	3 Boxes	6 Bags	80	3

Notes: **Vinyl Covers: Part numbers listed are commonly used sizes- other vinyl sizes and Hard Covers available (Pg. 46).

***Outdoor Logs: Part numbers listed are commonly used sizes- other sizes available (Pg. 41).

****Wind Guards: Part numbers listed are commonly used sizes- For extra large fire pits, multiple wind guards can be combined to accommodate the larger size - other sizes available (Pg. 44).

FIRE PIT COMPONENTS

UNASSEMBLED - NON-CERTIFIED

FIRE PIT KIT (FPS SERIES)

Includes everything needed to put together a match lit fire pit. Includes burner, a valve with polished chrome flange, flex line and fittings.

PENTA BURNER KITS- STAINLESS STEEL (#304)

Size	Gas Type	Model	Hub Size	Btu	Valve Size	Flex Line
12"	Natural Gas	FPS/PENTA12 KIT	1/2"	65k	1/2"	18"
	Liquid Propane	FPS/PENTA12LP KIT				
18"	Natural Gas	FPS/PENTA18 KIT	1/2"	125k	1/2"	18"
	Liquid Propane	FPS/PENTA18LP KIT				
24"	Natural Gas	FPS/PENTA24 KIT	1/2"	200k	1/2"	18"
	Liquid Propane	FPS/PENTA24LP KIT				
30"	Natural Gas	FPS/PENTA30 KIT	3/4"	250k	3/4"	24"
	Liquid Propane	FPS/PENTA30LP KIT				
36"	Natural Gas	FPS/PENTA36 KIT	3/4"	300k	3/4"	24"
	Liquid Propane	FPS/PENTA36LP KIT				
48"	Natural Gas	FPS/PENTA48 KIT	3/4"	300k	3/4"	24"
	Liquid Propane	FPS/PENTA48LP KIT				

Penta Burner



Features:

Burner Ports - 9 and 3 o'clock
Raised Hub Design
Patented Technology

Includes everything needed to put together a match lit fire pit. Includes burner, a valve with polished chrome flange, flex line and fittings.

ROUND BURNER KITS- STAINLESS STEEL (#304)

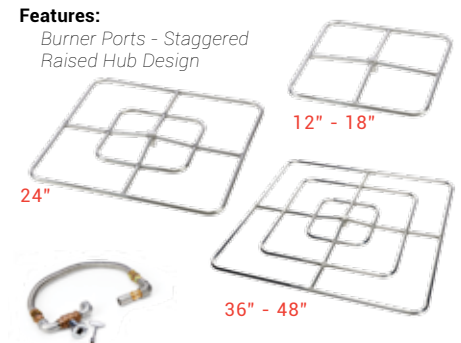
Size	Gas Type	Model	Hub Size	Btu	Valve Size	Flex Line
6"	Natural Gas	FPS6 KIT	1/2"	60k	1/2"	18"
	Liquid Propane	FPS6LP KIT				
12"	Natural Gas	FPS12 KIT	1/2"	90k	1/2"	18"
	Liquid Propane	FPS12LP KIT				
18"	Natural Gas	FPS18 KIT	1/2"	150k	1/2"	18"
	Liquid Propane	FPS18LP KIT				
24"	Natural Gas	FPS24 KIT	1/2"	150k	1/2"	18"
	Liquid Propane	FPS24LP KIT				
24" (HC)	Natural Gas	FPS24HC KIT	3/4"	300k	3/4"	18"
	Liquid Propane	FPS24HCLP KIT				
30"	Natural Gas	FPS30 KIT	1/2"	300k	1/2"	24"
	Liquid Propane	FPS30LP KIT				
30" (HC)	Natural Gas	FPS30HC KIT	3/4"	300k	3/4"	24"
	Liquid Propane	FPS30HCLP KIT				
36"	Natural Gas	FPS36HC KIT	3/4"	300k	3/4"	24"
	Liquid Propane	FPS36HCLP KIT				
48"	Natural Gas	FPS48HC KIT	3/4"	300k	3/4"	24"
	Liquid Propane	FPS48HCLP KIT				



Features:
Burner Ports - Staggered
Raised Hub Design

SQUARE BURNER KITS- STAINLESS STEEL (#304)

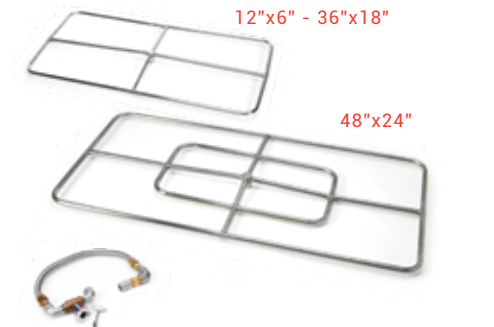
Size	Gas Type	Model	Hub Size	Btu	Valve Size	Flex Line
12"	Natural Gas	FPSSQ12 KIT	1/2"	90k	1/2"	18"
	Liquid Propane	FPSSQ12LP KIT				
18"	Natural Gas	FPSSQ18 KIT	1/2"	150k	1/2"	18"
	Liquid Propane	FPSSQ18LP KIT				
24"	Natural Gas	FPSSQ24 KIT	1/2"	150k	1/2"	18"
	Liquid Propane	FPSSQ24LP KIT				
36"	Natural Gas	FPSSQ36HC KIT	3/4"	300k	3/4"	24"
	Liquid Propane	FPSSQ36HCLP KIT				
48"	Natural Gas	FPSSQ48HC KIT	3/4"	300k	3/4"	24"
	Liquid Propane	FPSSQ48HCLP KIT				



Features:
Burner Ports - Staggered
Raised Hub Design

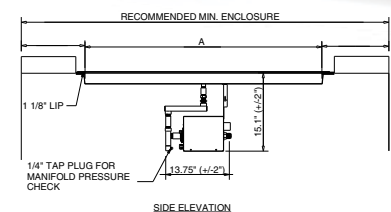
RECTANGLE BURNER KITS- STAINLESS STEEL (#304)

Size	Gas Type	Model	Hub Size	Btu	Valve Size	Flex Line
12"x 6"	Natural Gas	FPSR12X6 KIT	1/2"	90k	1/2"	18"
	Liquid Propane	FPSR12X6LP KIT				
18"x 9"	Natural Gas	FPSR18X9 KIT	1/2"	150k	1/2"	18"
	Liquid Propane	FPSR18X9LP KIT				
24"x 12"	Natural Gas	FPSR24X12 KIT	1/2"	150k	1/2"	18"
	Liquid Propane	FPSR24X12LP KIT				
36"x 18"	Natural Gas	FPSR36X18 KIT	1/2"	200k	1/2"	18"
	Liquid Propane	FPSR36X18LP KIT				
48"x 24"	Natural Gas	FPSR48X24HC KIT	3/4"	300k	3/4"	24"
	Liquid Propane	FPSR48X24HCLP KIT				



LINEAR BURNER KITS- TROUGH PAN & T-BURNER STAINLESS STEEL (#304)

Size (A")	Gas Type	Model	Hub Size	Btu	Valve Size	Flex Line
24"	Natural Gas	FPS/TRGH24 KIT	1/2"	50k	1/2"	18"
	Liquid Propane	FPS/TRGH24-LP				
36"	Natural Gas	FPS/TRGH36 KIT	1/2"	75k	1/2"	18"
	Liquid Propane	FPS/TRGH36-LP				
48"	Natural Gas	FPS/TRGH48 KIT	1/2"	100k	1/2"	18"
	Liquid Propane	FPS/TRGH48-LP				
60"	Natural Gas	FPS/TRGH60 KIT	1/2"	125k	1/2"	18"
	Liquid Propane	FPS/TRGH60-LP				
72"	Natural Gas	FPS/TRGH72 KIT	1/2"	150k	1/2"	18"
	Liquid Propane	FPS/TRGH72-LP				
96"	Natural Gas	FPS/TRGH96 KIT	1/2"	200k	1/2"	18"
	Liquid Propane	FPS/TRGH96-LP				



FIRE PIT COMPONENTS

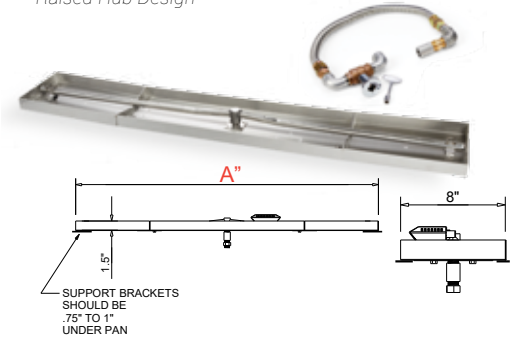
UNASSEMBLED -
NON-CERTIFIED

LINEAR BURNER KITS- INTERLINK PAN & T-BURNER, STAINLESS STEEL (#304)

Size (A")	Gas Type	Model	Hub Size	Btu	Valve Size	Flex Line
25"X 8"	Natural Gas	FPS/LINEAR25X8 KIT	1/2"	50k	1/2"	18"
	Liquid Propane	FPS/LINEAR25X8-LP				
37"X 8"	Natural Gas	FPS/LINEAR37X8 KIT	1/2"	75k	1/2"	18"
	Liquid Propane	FPS/LINEAR37X8-LP				
49"X 8"	Natural Gas	FPS/LINEAR49X8 KIT	1/2"	100k	1/2"	18"
	Liquid Propane	FPS/LINEAR49X8-LP				
61"X 8"	Natural Gas	FPS/LINEAR61X8 KIT	1/2"	125k	1/2"	18"
	Liquid Propane	FPS/LINEAR61X8-LP				
73"X 8"	Natural Gas	FPS/LINEAR73X8 KIT	1/2"	150k	1/2"	18"
	Liquid Propane	FPS/LINEAR73X8-LP				
97"X 8"	Natural Gas	FPS/LINEAR97X8 KIT	1/2"	200k	1/2"	18"
	Liquid Propane	FPS/LINEAR97X8-LP				
121"X 8"	Natural Gas	FPS/LINEAR121X8 KIT	1/2"	250k	1/2"	18"
	Liquid Propane	FPS/LINEAR121X8-LP				

Features:

Sidewalls add strength and hold media
Burner Ports - Staggered
Removable center section on some models
Raised Hub Design



S-FIRE BURNER KITS- STAINLESS STEEL (#304)

Size (A")	Gas Type	Model	Hub Size	Btu	Valve Size	Flex Line
30"x 8"	Natural Gas	FPS/SFIRE30 KIT	1/2"	65k	1/2"	18"
	Liquid Propane	FPS/SFIRE30LP KIT				
36"x 8"	Natural Gas	FPS/SFIRE36 KIT	1/2"	85k	1/2"	18"
	Liquid Propane	FPS/SFIRE36LP KIT				
48"x 10"	Natural Gas	FPS/SFIRE48 KIT	1/2"	110k	1/2"	18"
	Liquid Propane	FPS/SFIRE48LP KIT				
60"x 10"	Natural Gas	FPS/SFIRE60 KIT	1/2"	150k	1/2"	18"
	Liquid Propane	FPS/SFIRE60LP KIT				
72"x 10"	Natural Gas	FPS/SFIRE72 KIT	1/2"	150k	1/2"	18"
	Liquid Propane	FPS/SFIRE72LP KIT				

Features:

Burner Ports - Small Separation
for Distinctive S-Pattern Flame
Raised Hub Design



H-BURNER KITS- STAINLESS STEEL (#304)

Size	Gas Type	Model	Hub Size	Btu	Valve Size	Flex Line
18"x 6"	Natural Gas	FPS/HBSB18 KIT	1/2"	60k	1/2"	18"
	Liquid Propane	FPS/HBSB18LP KIT				
24"x 6"	Natural Gas	FPS/HBSB24 KIT	1/2"	90k	1/2"	18"
	Liquid Propane	FPS/HBSB24LP KIT				
30"x 8"	Natural Gas	FPS/HBSB30 KIT	1/2"	90k	1/2"	18"
	Liquid Propane	FPS/HBSB30LP KIT				
36"x 8"	Natural Gas	FPS/HBSB36 KIT	1/2"	150k	1/2"	18"
	Liquid Propane	FPS/HBSB36LP KIT				
48"x 10"	Natural Gas	FPS/HBSB48 KIT	1/2"	150k	1/2"	18"
	Liquid Propane	FPS/HBSB48LP KIT				
60"x 10"	Natural Gas	FPS/HBSB60 KIT	1/2"	250k	1/2"	18"
	Liquid Propane	FPS/HBSB60LP KIT				
72"x 10"	Natural Gas	FPS/HBSB72 KIT	1/2"	300k	1/2"	18"
	Liquid Propane	FPS/HBSB72LP KIT				
84"x 10"	Natural Gas	FPS/HBSB84 KIT	1/2"	300k	1/2"	18"
	Liquid Propane	FPS/HBSB84LP KIT				

Features:

Burner Ports - Point Inward
Raised Hub Design



ROUND BURNERS- COLD ROLLED STEEL (BLACK)

Size	Gas Type	Model	Hub Size	Btu	Valve Size	Flex Line
12"	Natural Gas	FP12 KIT	1/2"	90k	1/2"	18"
	Liquid Propane	FP12LP KIT				
18"	Natural Gas	FP18 KIT	1/2"	150k	1/2"	18"
	Liquid Propane	FP18LP KIT				
24"	Natural Gas	FP24 KIT	1/2"	150k	1/2"	18"
	Liquid Propane	FP24LP KIT				
30"	Natural Gas	FP30 KIT	1/2"	300k	1/2"	24"
	Liquid Propane	FP30LP KIT				
36"	Natural Gas	FP36 KIT	1/2"	300k	1/2"	24"
	Liquid Propane	FP36LP KIT				



NATURAL GAS/PROPANE BBQ AND APPLIANCE OUTLET (581)

Designed for Indoor/Outdoor Application
 Heavy Duty 20 Gauge Stainless Steel Outlet Cover
 CSA-AGA/CGA Approved to -40 Degrees F
 60k Btu Natural Gas, 90k Btu Propane Gas
 5 PSIG maximum operation pressure
 Lockable safety feature denies connect/disconnect while gas is flowing.
 Manual gas valve with appliance connection.

Models	Description
580	144"x3/8" with quick disconnect assembly
580-1	144x3/8" with Male Quick Disconnect Only
580-V	Female Quick Disconnect Fitting
581	Appliance Outlet

NATURAL GAS/LP QUICK DISCONNECT HOSE ASSEMBLY (580)

144" x 3/8" I.D.
 Gray PVC Galvanized Steel Hose
 CSA-AGA/CGA approved to -40 Degrees F
 Quick Disconnect Nipple and Socket dust cap
 Attached Hose and Quick Disconnect Installation Instructions



FLEX LINE

STANDARD CAPACITY FLEX LINE

All standard capacity flex lines are 1/2" OD and 3/8" ID with 1/2" female pipe threads on one end and 3/8" male pipe threads on the other.

Model	Length	Max BTU/HR (NG)	Max BTU/HR (LP)	Flare Size	Fittings Included (Two)
SSC6	6"	110,000	177,000	1/2"	3/8" MIP, 1/2" FIP
SSC12	12"	102,000	163,200	1/2"	3/8" MIP, 1/2" FIP
SSC18	18"	93,000	148,960	1/2"	3/8" MIP, 1/2" FIP
SSC24	24"	85,000	136,000	1/2"	3/8" MIP, 1/2" FIP
SSC30	30"	77,000	123,360	1/2"	3/8" MIP, 1/2" FIP
SSC36	36"	71,000	113,760	1/2"	3/8" MIP, 1/2" FIP
SSC48	48"	60,500	96,800	1/2"	3/8" MIP, 1/2" FIP



HIGH CAPACITY FLEX LINE

All high capacity flex lines are 5/8" OD and 1/2" ID with 1/2" female pipe threads on one end and 1/2" male pipe threads on the other.

Model	Length	Max BTU/HR (NG)	Max BTU/HR (LP)	Flare Size	Fittings Included (Two)
SSC-HC12	12"	180,000	288,000	3/4"	1/2" MIP, 1/2" FIP
SSC-HC18	18"	164,000	262,700	3/4"	1/2" MIP, 1/2" FIP
SSC-HC24	24"	150,000	240,000	3/4"	1/2" MIP, 1/2" FIP
SSC-HC30	30"	136,000	217,600	3/4"	1/2" MIP, 1/2" FIP



ULTRA HIGH CAPACITY FLEX LINE

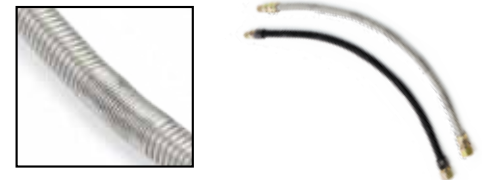
All high capacity flex lines are 1" OD and 3/4" ID with 3/4" female pipe threads on one end and 1" male pipe threads on the other.

Model	Length	Max BTU/HR (NG)	Max BTU/HR (LP)	Flare Size	Fittings Included (Two)
SSC-HHC24	24"	291,000	465,400	1"	3/4" MIP, 3/4" FIP
SSC-HHC36	36"	256,000	409,400	1"	3/4" MIP, 3/4" FIP

TRANQUIL WHISTLE-FREE FLEX LINE

HPC has been a long time supplier of reliable, maintenance-free flex lines. We offer our Tranquil Flex Line Series to eliminate the nuisance whistling found on those tough installs. Sizes available in standard capacity are 12", 18", 24", and 30" lengths. These are stainless steel with 3/8" ID and are in stock and ready for shipment.

Model	Length	Max BTU/HR (NG)	Max BTU/HR (LP)	Flare Size	Fittings Included (Two)
SSC-W12	12"	102,000	163,200	1/2"	3/8" MIP, 1/2" FIP
SSC-W18	18"	93,000	148,960	1/2"	3/8" MIP, 1/2" FIP
SSC-W24	24"	85,000	136,000	1/2"	3/8" MIP, 1/2" FIP
SSC-W30	30"	77,000	123,360	1/2"	3/8" MIP, 1/2" FIP



TRANQUIL WHISTLE-FREE, STANDARD CAPACITY (BLACK)

Model	Length	Max BTU/HR (NG)	Max BTU/HR (LP)	Flare Size	Fittings Included (Two)
SSCB-W18	18"	93,000	148,960	1/2"	3/8" MIP, 1/2" FIP
SSCB-W24	24"	85,000	136,000	1/2"	3/8" MIP, 1/2" FIP
SSCB-W30	30"	77,000	123,360	1/2"	3/8" MIP, 1/2" FIP

* Natural Gas maximum Btu/hr: Straight Length Capacity; 0.64 SG, 1,000 Btu per Cu. Ft. at .5 water column pressure drop
 ** Liquid Propane Maximum Btu/hr: Straight Length Capacity; 1.55 SG, 2,500 Btu per Cu. Ft. at .5 water column pressure drop

FIRE PIT COMPONENTS

UNASSEMBLED -
NON-CERTIFIED

FIRE PIT PANS May require use of FRSB-11 Burner Brackets - Sold Separately - All Gas Inlets are Welded Nipple

ROUND BOWL STYLE- STAINLESS STEEL (#304)

Size	Model	Gauge	Inlet	FRSB-11
13"	570-13	18g	1/2"	3
19"	570-19	18g	1/2"	3
25"	570-25	18g	1/2"	3
31"	570-31	18g	1/2"	3
31"	570-31HC	18g	3/4"	3
37"	570-37HC	18g	3/4"	3
43"	570-43HC	18g	3/4"	3



ROUND FLAT STYLE- STAINLESS STEEL (#304)

Size	Model	Gauge	Inlet	FRSB-11
7.75"	571-8	18g	1/2"	3
13.75"	571-14	18g	1/2"	3
17.75"	571-18	18g	1/2"	3
23.75"	571-24	18g	1/2"	3
29.75"	571-30	18g	1/2"	3
35.75"	571-36	18g	1/2"	3
35.75"	571-36HC	18g	3/4"	3
41.75"	571-42HC	18g	3/4"	3
53.75"	571-54HC	18g	3/4"	3



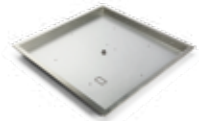
SQUARE FLAT STYLE- STAINLESS STEEL (#304)

Size	Model	Gauge	Inlet	FRSB-11
18"	571-18SQ	18g	1/2"	3
24"	571-24SQ	18g	1/2"	3
30"	571-30SQ	18g	1/2"	3
36"	571-36HCSQ	18g	3/4"	3
42"	571-42HCSQ	18g	3/4"	3



SQUARE BOWL STYLE- STAINLESS STEEL (#304)

Size	Model	Gauge	Inlet	FRSB-11
18"	570-18SQ	18g	1/2"	3
24"	570-24SQ	18g	1/2"	3
30"	570-30SQ	18g	1/2"	3
36"	570-36HCSQ	18g	3/4"	3
42"	570-42HCSQ	18g	3/4"	3



LINEAR TROUGH STYLE

Sold with T-Burner - See Pg. 58



LINEAR INTERLINK STYLE

Sold with T-Burner - See Pg. 58



RECTANGLE BOWL STYLE

Sold with H-Burner - See Pg. 58

FRSB-11 BRACKET

This unique bracket is universal to all HPC burners making them more rigid than competitive models.



REGULATORS



770-150

150k Btu pressure regulator
Natural Gas : 5 psi input
Liquid Propane: 2 psi input
1/2"x1/2", 4"-12" water column



770-300

300k Btu pressure regulator
Natural Gas : 5 psi input
Liquid Propane: 2 psi input
1"x1", 4"-12" water column



658

100k Btu LP pressure regulator
3/8" x 3/8", 4"-12" water column



770-13A15

MAXITROL Vent protector with a 1/8" inlet made for 770-150



770-13A15-5

MAXITROL Vent protector with a 3/8" inlet made for 770-300

GRILL REPAIR REGULATOR & HOSE - LP



658/90-18

18" Rubber Hose
90 degree Regulator
100k Btu, 3/8 Fitting

658/90-36

36" Rubber Hose
90 degree Regulator
100k Btu, 3/8 Fitting



658SS/90-36

36" Braided SS Hose
90 degree Regulator
100k Btu, 3/8 Fitting

PUSH BUTTON IGNITION KITS

This hard pipe unassembled kit include stainless steel pan and burner, push button ignition switch and igniter, chrome decorative key valve, fittings and flex line. **Natural Gas Only** (Not certified).

ROUND BOWL INSERTS / NON CERTIFIED

Size	Gas type	Model	Burner	Max BTU
19"	Natural Gas	PENTA19FPK-NG	12" Penta	90k
25"	Natural Gas	PENTA25FPK-NG	18" Penta	150k
31"	Natural Gas	PENTA31FPK-NG	24" Penta	150k

ROUND FLAT INSERTS

Size	Gas type	Model	Burner	Max BTU
18"	Natural Gas	PENTA18FPK-NG	12" Penta	90k
24"	Natural Gas	PENTA24FPK-NG	18" Penta	150k
30"	Natural Gas	PENTA30FPK-NG	24" Penta	150k

SQUARE FLAT INSERTS

Size	Gas type	Model	Burner	Max BTU
18"	Natural Gas	PENTA18FPK-SQ-NG	12" Penta	90k
24"	Natural Gas	PENTA24FPK-SQ-NG	18" Penta	150k
30"	Natural Gas	PENTA30FPK-SQ-NG	24" Penta	150k



Push Button Ignition



FLAME CONTROL SYSTEMS

DECORATIVE KEY VALVES

Key Valve Part Numbers: Key Valves are numbered as either Angled or Straight, and based off of color. For example, MAFB is described as Manual Angled Flat Black. MSFB would be Manual Straight Flat Black.

STANDARD CAPACITY VALVES (1/2")

1/4 Turn angle or straight manual ball valve with flange and key. 1/2" inlet and outlet. For floor or wall mounting.

Recommended for gas shut off of 150k Btu or less

HIGH CAPACITY VALVES (3/4")

1/4 Turn angle or straight manual ball valve with flange and key. 3/4" inlet and outlet. For floor or wall mounting.

Recommended for gas shut off of 400k Btu or less

DANTE VALVE



327-CH

CHROME FLANGE/ KEY

Valve	Inlet / Outlet	Models
Angle	1/2"	MACB
	3/4"	MACB-HC
Straight	1/2"	MSCB
	3/4"	MSCB-HC



BRASS FLANGE/ KEY

Valve	Inlet / Outlet	Models
Angle	1/2"	MABB
	3/4"	MABB-HC
Straight	1/2"	MSBB
	3/4"	MSBB-HC



FLAT BLACK FLANGE/ KEY

Valve	Inlet / Outlet	Models
Angle	1/2"	MAFB
	3/4"	MAFB-HC
Straight	1/2"	MSFB
	3/4"	MSFB-HC



PEWTER FLANGE/ KEY

Valve	Inlet / Outlet	Models
Angle	1/2"	MAPW
	3/4"	MAPW-HC
Straight	1/2"	MSPW
	3/4"	MSPW-HC



ANTIQU BRASS FLANGE/ KEY

Valve	Inlet / Outlet	Models
Angle	1/2"	MAAB
	3/4"	MAAB-HC
Straight	1/2"	MSAB
	3/4"	MSAB-HC



ANTIQU COPPER FLANGE/ KEY

Valve	Inlet / Outlet	Models
Angle	1/2"	MAAC
	3/4"	MAAC-HC
Straight	1/2"	MSAC
	3/4"	MSAC-HC



FLANGE AND KEY ONLY



KEYS



FLANGE ONLY

- 304 L Polished Chrome Flange
- 306 L Polished Brass Flange

FIRE PIT COMPONENTS

UNASSEMBLED -
NON-CERTIFIED

MANUAL SPARK, FLAME SENSING (FPPK) CONTROL SYSTEMS

This system utilizes a standing pilot with thermocouple sensing to safely control gas flow, manual flame height adjustment, manual switch spark igniter (battery operated), and a safety pilot valve mounted in a stainless steel box.



Size: 7.5"x6.5"x2.6"

Max BTU	Gas Type	Models
140k	Natural Gas	FPPK-HC-NG
	Liquid Propane	FPPK-HC-LP
90k	Natural Gas	FPPK-MC-NG
	Liquid Propane	FPPK-MC-LP

PILOT ASSEMBLY AND BLOWOUT BOX

See chart for recommended burner size.

Includes: Assembled stainless steel control box, 36" pilot assembly with spark igniter, and blowout box, flex line, hard pipe, and fittings.

Recommended FPPK Burner Size

Burner Type	Size w/ FPPK-HC	Size w/ FPPK-MC
Penta Series	18" ~ 30"	12" ~ 24"
Round Burner	18" ~ 30"	12" ~ 18"
H-Burner Series	30"X8" ~ 48"X10"	24"X6" ~ 30"X8"
Square Burner	18" ~ 24"	12" ~ 18"
T-Burner	50" ~ 72"	36" ~ 48"

NOTE: Burner too small could result in unsafe LP backpressure. Burner too large could result in small, undesirable flame height.

MATCH LIT, FLAME SENSING (FPSPK) CONTROL SYSTEM

Match lit safety pilot control system with flame recognition and manual flame height adjustment. Up to 90k Btu output.



FPSPK
Match Lit (4.75" x 3.5" x 2"), Flame Sense, 3/8" System, up to 90k Btu

When ordering, please specify gas type!

See chart for recommended burner size.

Includes: Assembled stainless steel control box, 48" pilot assembly and blowout box and flex line.

Recommended FPSPK Burner Size

Burner Type	Recommended Size
Penta Series	12" ~ 24"
Round Burner	12" ~ 18"
H-Burner Series	24"X6" ~ 30"X8"
Square Burner	12" ~ 18"
T-Burner	36" ~ 48"

NOTE: Burner too small could result in unsafe LP back pressure. Burner too large could result in small, undesirable flame height.

COMMERCIAL AUTOMATIC SHUTOFF TIMERS - 120VAC



694

2 Hour Timer

Stainless Steel Rotary Timer (SPDT, 20A) 1/2" deep. Double gang box recommended. For use with NEMA 3R box for mounting.

695

12 Hour Timer



694 NEMA

2 Hour Timer

NEMA 3R Box with 694 or 695 timer. Includes timer mounted into the NEMA 3R box for your convenience.

695 NEMA

12 Hour Timer



696

2, 4, 8 and 12 Hour Timer

Four preset switch for indoors. Can be set at 2, 4, 8, and 12 hours (SPDT, 20A). Fits single Gangbox

Available Now!!!



GT-ESTOP-2.5

2.5 Hour Timer

A combination of an "Emergency Stop" control switch, plus a Gas-turn-off timer that is adjustable up to 2-1/2 hours.

NG - 290,000 BTU/hr Max Capacity
LP - 430,000 BTU/hr Max Capacity

POWER SUPPLIES - FOR 24VAC & 12VAC MODELS

Input Primary - 120VAC, 60/50Hz, 1A max
Output Secondary - 24VAC & 12VAC, 60/50Hz, 4A



24VAC Model	Style	For use with
311-PS1	1 Output	24 VAC Inserts
311-PS3	3 Outputs	24 VAC Inserts
311-PS5	5 Outputs	24 VAC Inserts

12VAC Model	Style	For use with
313-PS1	1 Output	12 VAC Copper
313-PS3	3 Outputs	12 VAC Copper
313-PS5	5 Outputs	12 VAC Copper

COMMERCIAL EMERGENCY STOP - 120VAC, 24VAC OR 12VAC

Perfect for commercial applications of Evolution 360 or EI systems. Push button with keyed reset allows supervisor confirmation. Safely turns off up to 3 circuits plus one fail safe function.



311-ESTOP-3

Size: 2.8" x 2.8" x 4", Rated for 600VA, 10A
Rated IP65 - Protection against dust and low pressure water from all directions.

For replacement Keys use product number:

E-STOP-KEY

120 VAC OUTDOOR ON/OFF REMOTE CONTROL



578-C

Used with EI Fire Pit Systems. 120 VAC models only. CARLON in-line power control with 3 prong in/out.

OUTDOOR BURNERS

The LP Kit includes the burner, properly sized air mixer, and fittings.
The NG Kit includes the burner.

PENTA BURNERS- STAINLESS STEEL (#304)

Size	Gas Type	Model	Inlet (FPT)	Btu
12"	Natural Gas	PENTA12 KIT	1/2"	65k
	Liquid Propane	PENTA12LP KIT		
18"	Natural Gas	PENTA18 KIT	1/2"	125k
	Liquid Propane	PENTA18LP KIT		
24"	Natural Gas	PENTA24 KIT	1/2"	200k
	Liquid Propane	PENTA24LP KIT		
30"	Natural Gas	PENTA30 KIT	3/4"	250k
	Liquid Propane	PENTA30LP KIT		
36"	Natural Gas	PENTA36 KIT	3/4"	300k
	Liquid Propane	PENTA36LP KIT		
48"	Natural Gas	PENTA48 KIT	3/4"	300k
	Liquid Propane	PENTA48LP KIT		

5% DISCOUNT		
Model	Bulk Qty.	
PENTA12	10	BULK CARTON
PENTA18	10	
PENTA24	10	
PENTA30	5	
PENTA36	5	
PENTA48	5	
INCLUDES BURNERS ONLY		

Features:

Burner Ports - 9 and 3 o'clock
Raised Hub Design
Patented Technology

Penta Burner

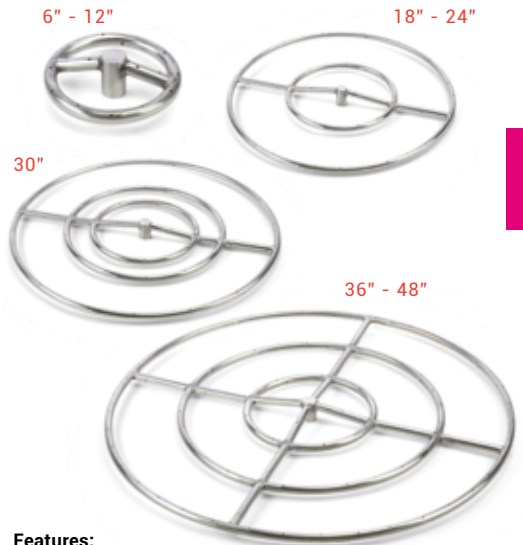


See Pg. 11 for Penta Burner Features

ROUND BURNER- STAINLESS STEEL (#304)

Size	Gas Type	Model	Inlet (FPT)	Btu
6"	Natural Gas	FRS-6 KIT	1/2"	60k
	Liquid Propane	FRS-6LP KIT		
12"	Natural Gas	FRS-12 KIT	1/2"	90k
	Liquid Propane	FRS-12LP KIT		
18"	Natural Gas	FRS-18 KIT	1/2"	150k
	Liquid Propane	FRS-18LP KIT		
24"	Natural Gas	FRS-24 KIT	1/2"	150k
	Liquid Propane	FRS-24LP KIT		
24" (HC)	Natural Gas	FRS-24HC KIT	3/4"	300k
	Liquid Propane	FRS-24HCLP KIT		
30"	Natural Gas	FRS-30 KIT	1/2"	300k
	Liquid Propane	FRS-30LP KIT		
30" (HC)	Natural Gas	FRS-30HC KIT	3/4"	300k
	Liquid Propane	FRS-30HCLP KIT		
36"	Natural Gas	FRS-36HC KIT	3/4"	300k
	Liquid Propane	FRS-36HCLP KIT		
48"	Natural Gas	FRS-48HC KIT	3/4"	300k
	Liquid Propane	FRS-48HCLP KIT		

5% DISCOUNT		
Model	Bulk Qty.	
FRS6	10	BULK CARTON
FRS12	10	
FRS18	10	
FRS24	10	
FRS24HC	10	
FRS30	5	
FRS30HC	5	
FRS36HC	5	
FRS48HC	5	
INCLUDES BURNERS ONLY		



Features:

Burner Ports - Staggered
Raised Hub Design

SQUARE BURNERS- STAINLESS STEEL (#304)

Size	Gas Type	Model	Inlet (FPT)	Btu
12"	Natural Gas	FRSSQ-12 KIT	1/2"	90k
	Liquid Propane	FRSSQ-12LP KIT		
18"	Natural Gas	FRSSQ-18 KIT	1/2"	150k
	Liquid Propane	FRSSQ-18LP KIT		
24"	Natural Gas	FRSSQ-24 KIT	1/2"	150k
	Liquid Propane	FRSSQ-24LP KIT		
36"	Natural Gas	FRSSQ-36HC KIT	3/4"	300k
	Liquid Propane	FRSSQ-36HCLP KIT		
48"	Natural Gas	FRSSQ-48HC KIT	3/4"	300k
	Liquid Propane	FRSSQ-48HCLP KIT		

5% DISCOUNT		
Model	Bulk Qty.	
FRSSQ12	10	BULK CARTON
FRSSQ18	10	
FRSSQ24	10	
FRSSQ36HC	5	
FRSSQ48HC	5	
INCLUDES BURNERS ONLY		

Features:

Burner Ports - Staggered
Raised Hub Design

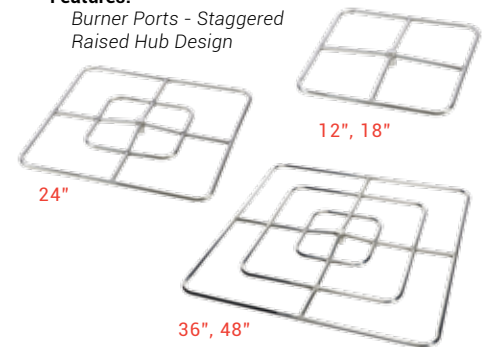


Photo courtesy of SE Designs - Pennsylvania

FIRE PIT COMPONENTS

RECTANGLE BURNERS- STAINLESS STEEL (#304)

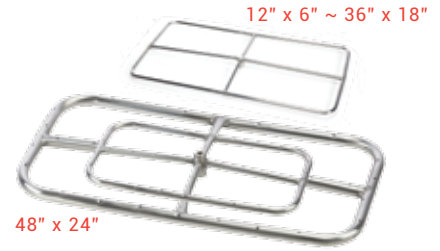
Size	Gas Type	Model	Inlet (FPT)	Btu
12"x 6"	Natural Gas	FRSR-12X6 KIT	1/2"	90k
	Liquid Propane	FRSR-12X6LP KIT		
18"x 9"	Natural Gas	FRSR-18X9 KIT	1/2"	150k
	Liquid Propane	FRSR-18X9LP KIT		
24"x 12"	Natural Gas	FRSR-24X12 KIT	1/2"	150k
	Liquid Propane	FRSR-24X12LP KIT		
36"x 18"	Natural Gas	FRSR-36X18 KIT	1/2"	200k
	Liquid Propane	FRSR-36X18LP KIT		
48"x 24"	Natural Gas	FRSR-48X24HC KIT	3/4"	300k
	Liquid Propane	FRSR-48X24HCLP KIT		

5% DISCOUNT	
Model	Bulk Qty.
FRSR12X6	10
FRSR18X9	10
FRSR24X12	10
FRSR36X18	5
FRSR48X24HC	5

BULK CARTON

INCLUDES BURNERS ONLY

Features:
 Burner Ports - Staggered
 Raised Hub Design

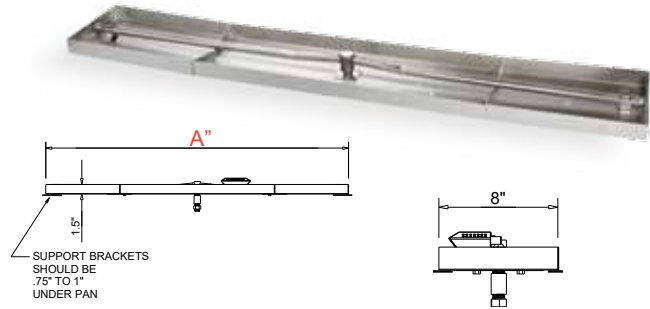


LINEAR BURNERS- INTERLINK PAN & T-BURNER, STAINLESS STEEL (#304)

Size (A")	Gas Type	Model	Inlet (MPT)	Btu
25"X 8"	Natural Gas	IL25X8SS	1/2"	50k
	Liquid Propane	IL25X8SS-LP		
37"X 8"	Natural Gas	IL37X8SS	1/2"	75k
	Liquid Propane	IL37X8SS-LP		
49"X 8"	Natural Gas	IL49X8SS	1/2"	100k
	Liquid Propane	IL49X8SS-LP		
61"X 8"	Natural Gas	IL61X8SS	1/2"	125k
	Liquid Propane	IL61X8SS-LP		
73"X 8"	Natural Gas	IL73X8SS	1/2"	150k
	Liquid Propane	IL73X8SS-LP		
97"X 8"	Natural Gas	IL97X8SS	1/2"	200k
	Liquid Propane	IL97X8SS-LP		
121"X 8"	Natural Gas	IL121X8SS	1/2"	250k
	Liquid Propane	IL121X8SS-LP		

Features:
 Sidewalls add strength and hold media
 Burner Ports - Staggered
 Removable center section on some models
 Raised Hub Design

Includes:
 Pan, Burner and Brackets

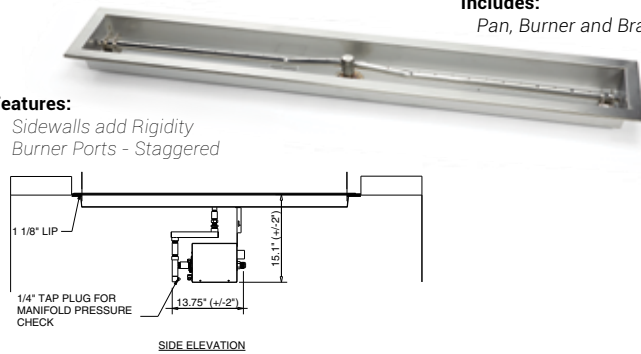


LINEAR BURNERS- TROUGH PAN & T-BURNER STAINLESS STEEL (#304)

Size (A")	Gas Type	Model	Inlet (MPT)	Btu
24"	Natural Gas	24SS TRGH	1/2"	50k
	Liquid Propane	24SS TRGH-LP		
36"	Natural Gas	36SS TRGH	1/2"	75k
	Liquid Propane	36SS TRGH-LP		
48"	Natural Gas	48SS TRGH	1/2"	100k
	Liquid Propane	48SS TRGH-LP		
60"	Natural Gas	60SS TRGH	1/2"	125k
	Liquid Propane	60SS TRGH-LP		
72"	Natural Gas	72SS TRGH	1/2"	150k
	Liquid Propane	72SS TRGH-LP		
96"	Natural Gas	96SS TRGH	1/2"	200k
	Liquid Propane	96SS TRGH-LP		

Features:
 Sidewalls add Rigidity
 Burner Ports - Staggered

Includes:
 Pan, Burner and Brackets

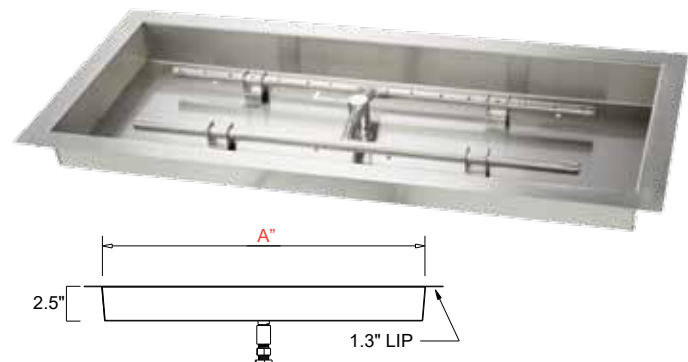


RECTANGLE BURNERS- STAINLESS STEEL (#304)

Size (A")	Gas Type	Model	Inlet (FPT)	Btu
24" x 12"	Natural Gas	24X12SS-H	1/2"	60k
	Liquid Propane	24X12SS-H-LP		
30" x 12"	Natural Gas	30X12SS-H	1/2"	90k
	Liquid Propane	30X12SS-H-LP		
36" x 14"	Natural Gas	36X14SS-H	1/2"	90k
	Liquid Propane	36X14SS-H-LP		
42" x 14"	Natural Gas	42X14SS-H	1/2"	150k
	Liquid Propane	42X14SS-H-LP		
54" x 16"	Natural Gas	54X16SS-H	1/2"	150k
	Liquid Propane	54X16SS-H-LP		
66" x 16"	Natural Gas	66X16SS-H	1/2"	250k
	Liquid Propane	66X16SS-H-LP		
78" x 16"	Natural Gas	78X16SS-H	1/2"	300k
	Liquid Propane	78X16SS-H-LP		
90" x 16"	Natural Gas	90X16SS-H	1/2"	300k
	Liquid Propane	90X16SS-H-LP		

Features:
 Burner Ports - Staggered
 Raised Hub Design
 Sidewalls add Structure and Hold Media

Includes:
 Pan, Burner and Brackets



58 **WARNING: California PROP 65:** This product can expose you to Lead & Chromium, which is known to the State of California to cause cancer and birth defects or other reproductive harm. For more information go to www.P65Warnings.ca.gov.

Inspired by safety. Innovated for your lifestyle.

LINEAR T-BURNERS- RAISED, STAINLESS STEEL (#304)

Size	Gas Type	Model	Inlet (FPT)	Btu
24"	Natural Gas	LTBSS24	1/2"	50k
	Liquid Propane	LTBSS24LP		
36"	Natural Gas	LTBSS36	1/2"	75k
	Liquid Propane	LTBSS36LP		
48"	Natural Gas	LTBSS48	1/2"	100k
	Liquid Propane	LTBSS48LP		
60"	Natural Gas	LTBSS60	1/2"	125k
	Liquid Propane	LTBSS60LP		
72"	Natural Gas	LTBSS72	1/2"	150k
	Liquid Propane	LTBSS72LP		
96"	Natural Gas	LTBSS96	1/2"	200k
	Liquid Propane	LTBSS96LP		
120"	Natural Gas	LTBSS120	1/2"	250k
	Liquid Propane	LTBSS120LP		

5% DISCOUNT	
Model	Bulk Qty.
LTBSS24	10
LTBSS36	10
LTBSS48	10
LTBSS60	10
LTBSS72	10
LTBSS96	5
LTBSS120	5

BULK CARTON

INCLUDES BURNERS ONLY

Features:

Burner Ports - Staggered
Raised Hub Design



S-FIRE BURNERS- STAINLESS STEEL (#304)

Size	Gas Type	Model	Inlet (MPT)	Btu
30"	Natural Gas	SFIRE30 KIT	1/2"	75K
	Liquid Propane	SFIRE30LP KIT		
36"	Natural Gas	SFIRE36 KIT	1/2"	85K
	Liquid Propane	SFIRE36LP KIT		
48"	Natural Gas	SFIRE48 KIT	1/2"	110K
	Liquid Propane	SFIRE48LP KIT		
60"	Natural Gas	SFIRE60 KIT	1/2"	135K
	Liquid Propane	SFIRE60LP KIT		
72"	Natural Gas	SFIRE72 KIT	1/2"	165K
	Liquid Propane	SFIRE72LP KIT		

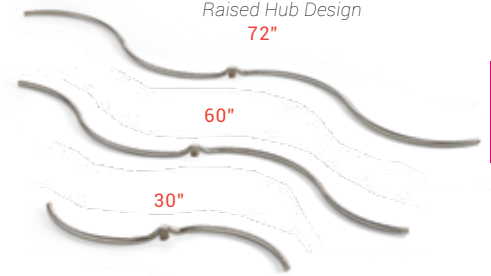
5% DISCOUNT	
Model	Bulk Qty.
SFIRE30	10
SFIRE36	10
SFIRE48	10
SFIRE60	10
SFIRE72	10

BULK CARTON

INCLUDES BURNERS ONLY

Features:

Burner Ports - Small Separation
for Distinctive S-Pattern Flame
Raised Hub Design



FIRE PIT H-BURNERS- STAINLESS STEEL (#304)

Size	Gas Type	Model	Inlet (FPT)	Btu
18"x 6"	Natural Gas	HBSB18 KIT	1/2"	60k
	Liquid Propane	HBSB18LP KIT		
24"x 6"	Natural Gas	HBSB24 KIT	1/2"	90k
	Liquid Propane	HBSB24LP KIT		
30"x 8"	Natural Gas	HBSB30 KIT	1/2"	90k
	Liquid Propane	HBSB30LP KIT		
36"x 8"	Natural Gas	HBSB36 KIT	1/2"	150k
	Liquid Propane	HBSB36LP KIT		
48"x 10"	Natural Gas	HBSB48 KIT	1/2"	150k
	Liquid Propane	HBSB48LP KIT		
60"x 10"	Natural Gas	HBSB60 KIT	1/2"	250k
	Liquid Propane	HBSB60LP KIT		
72"x 10"	Natural Gas	HBSB72 KIT	1/2"	300k
	Liquid Propane	HBSB72LP KIT		
84"x 10"	Natural Gas	HBSB84 KIT	1/2"	300k
	Liquid Propane	HBSB84LP KIT		

5% DISCOUNT	
Model	Bulk Qty.
HBSB18	10
HBSB24	10
HBSB30	10
HBSB36	10
HBSB48	10
HBSB60	10
HBSB72	10
HBSB84	10

BULK CARTON

INCLUDES BURNERS ONLY

Features:

Burner Ports - Point Inward
Raised Hub Design



Photo courtesy of SE Designs - Pennsylvania

FIRE PIT COMPONENTS



Photo - HPC Fire Inspired™

LOG LIGHTER BURNER- STAINLESS STEEL

Includes - stainless steel burner tube, LP air mixer or NG orifice, connector and end cap, El. Can be connected together in sections.

Custom Lengths Available

Model #	Size in inches	Gas
SS17N	17"	NG
SS17P	17"	LP



MISCELLANEOUS PARTS

SPARK IGNITER COMPONENTS



690-AA

Mounts easily with 2 screws. Use with external switch.
AA batteries easy to replace.
Sealed battery compartment.
Dual ignition outlets
(Replaces #690)



691AA-HPC

Screw-in cap holds unit in place.
Uses 1 AA battery. Sealed battery chamber. Easy Battery Replacement



130

Snap-in Type
One spark per button push.

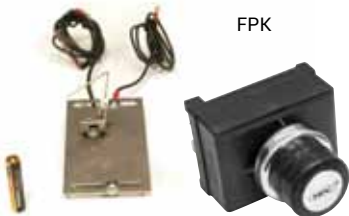


131

Electrode to use with the 130 Spark Igniter pictured to the left

FPK PUSH BUTTON SPARK IGNITION KIT

Includes Spark Generator, Ignition, Mounting Plate and AA Battery



FPK

FPLP SERIES SMALL LP TANK CONVERSION KIT

Includes Regulator, Air Mixer, 12' Hose with quick disconnect, shut off valve, and fittings.

Minimum Burner Size: 12"

Minimum T-Burner Size: 48"

IMPORTANT: If using glass media, glass application to burner must be minimal to avoid backpressure. Read instructions carefully.

Not for use with HPC **Certified** Inserts



FPLP40 - 40k Btu
FPLP90 - 90k Btu

REPLACEMENT COMPONENTS

EI SERIES REPLACEMENT COMPONENTS

Item	Model
On/Off & High/Low Models	
Hot Surface Igniter	312-IGNITER
Thermocouple- 36"	311-T/C
Electronic Module	312-EIMOD
Transformer	576-75VA
Fuse (5A)	See Note*

Item	Model
On / Off Models Only	
Gas Valve	210-EI415

*Commonly found fast acting 5A Fuse

Item	Model
High / Low Models Only	
Remote- Handheld	312-REMOTE
Remote- Transceiver	312-W/T
Antenna	312-ANTENNA
Antenna Bracket	312-AB
Antenna Extension Cable - 60"	AEK-60HI/LO
Gas Valve- 2 Stage	312-2STAGE415

EI SERIES REPLACEMENT PILOT ASSEMBLIES - ON/OFF & HI/LO MODELS

Gas	Btu Rating (Main)	Model	Length
NG	50K ~ 275k	HSIP-36SS	36"
NG	300k Btu	HSIP-36SS-300NG	36"
NG	400k	HSIP-36SS-400NG	36"
LP	50K ~ 225k Btu	HSIP-36SS-50 / 225LP	36"
LP	250k ~ 400k Btu	HSIP-36SS-250 / 400LP	36"

REPLACEMENT COMPONENTS

HWI SERIES REPLACEMENT COMPONENTS

PLEASE NOTE: FOR MVK-HWI Control box we require the box be returned for repair. Please call use for support!



120-HWI
Burner Mount Clamp



311-T/C
36" Thermocouple



311-T/C 72
72" Thermocouple



311-T/C EXT
36" Extension



598HWI
Blowout Box



HWI-913
Igniter Repair Kit

HWI SERIES REPLACEMENT PILOT ASSEMBLIES



Gas	Btu Rating (Main)	Model	Length
NG	50K ~ 275k	HWIP-36SS	36"
NG	300k Btu	HWIP-36SS-300NG	36"
NG	400k	HWIP-36SS-400NG	36"

Gas	Btu Rating (Main)	Model	Length
LP	50K ~ 225k Btu	HWIP-36SS-50 / 225LP	36"
LP	250k ~ 400k Btu	HWIP-36SS-250 / 400LP	36"

FPPK SERIES REPLACEMENT COMPONENTS



108-C
Safety Pilot Valve
(90k), FPPK-NG



109-C
Safety Pilot Valve (90k),
Rear Inlet Valve, 2010
FPPK Model



110
Safety Pilot Valve
(90k), Side Inlet, used
in FPPK-MC Box



691AA-HPC
Igniter Switch



FPPK-P36 NG
FPPK-P36 LP
36" Pilot Tube, T/C



598HWI
Blowout Box



111
Black Knob



902
Valve Face Plate
Nut (For 108-C
Valve)



100-HC
High Capacity Valve
(140k) used in
FPPK-HC Box



693
Igniter

FPK SERIES REPLACEMENT COMPONENTS



131
Spark Electrode



691AA-HPC
Igniter Switch

OTHER ELECTRONIC IGNITION COMPONENTS



576-40VA
24VAC Transformer - 40VA



576-100VA
24VAC Transformer - 100VA



210-EI
Honeywell 150k Valve



210-EIHC
Honeywell 270k Valve



210-EI415
Honeywell 415K Valve



210-EI MOD
Honeywell IPI Module

POP DISPLAYS

HPC DISPLAY KIOSK



HPC offers a very appealing and educational kiosk for your store front. It is constructed of long-lasting steel and powder coated for a professional look- and is very simple to assemble. The kiosk explains in Layman terms how to select and construct the style, shape, and technology of their fire pit with the help of the Dealer while using HPC fire pit inserts. The Kiosk Kit includes the kiosk stand, burners with placards, a laminated flip-book and several take-home brochures (replenished at no cost).



Flip Book Cover



Open Flip Book



Take-Home Brochures

Model	Name
KIOSK KIT	7' X 3'



LITERATURE



Style	Name
LIT-BROCHURE OUTDOOR	Night Impressions
LIT- CATALOG OUTDOOR	Outdoor Product Catalog
LIT- WATER BROCHURE OUTDOOR	Fire Meets Water Brochure
LIT- KIOSK BROCHURE	Ignite the Night Brochure

HPC DISPLAY STANDS

FOR DISPLAY ONLY! NOT FOR OUTDOOR INSTALLATION

Need to display your fire pit inserts? Our steel display stands give full access to the insert for your customer to look at every detail!

The fire pit insert displays are available as follows:

- 1) Push Button / Spark Ignition (FPPK) Display Kit- includes applicable FPPK fire pit insert, match lit insert control valve (327-CH) and the display stand.
- 2) Electronic Ignition (EI) Display Kit- includes applicable EI fire pit insert and the display stand.
- 3) Stand Only

Style	Round	Rectangle	Linear Trough	Linear- Interlink	Description
	DS25-ROUND-FPPK	DS30X12-HBURNER-FPPK	DS36-TRGH-FPPK	DS49X8-LINEAR-FPPK	Includes Push Button / Spark Ignition fire pit insert match lit valve, mounting sleeve & stand.
	DS25-ROUND-EI	DS30X12-HBURNER-EI	DS36-TRGH-EI	DS49X8-LINEAR-EI	Includes Electronic Ignition fire pit insert and display stand.
Stand Only	DS25-ROUND	DS30X12-HBURNER	DS36-TRGH	DS49X8-LINEAR	Includes stand only.



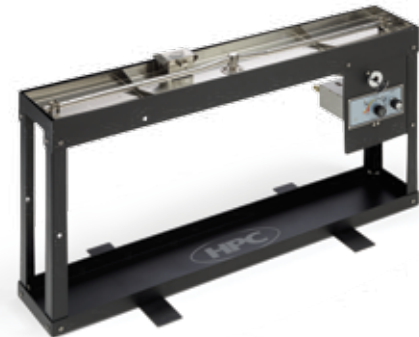
DS25-ROUND-FPPK
For use with 25" Round Insert



DS30x12-HBURNER-FPPK
For use with 30x12" H-Burner Insert



DS36-TRGH-FPPK
For use with 36" Trough Insert



DS49X8-LINEAR-FPPK
For use with 49"x8" Interlink Insert

POINT OF PURCHASE BANNER



BANNER KITS

48"x30" Banner for storefront display

Model	Description
BANNER KIT	Coroplast (Rigid Plastic Board)
BANNER KIT-OUTDOOR	Vinyl Outdoor Banner with grommets in the corners

BANNER KIT and BANNER KIT-OUTDOOR

A photograph of a modern outdoor patio area. In the foreground, a large, rectangular fire pit is built into a stone wall, with bright orange and yellow flames rising from it. The patio is paved with dark grey tiles. In the background, there is a multi-story brick building with large windows and a dark wooden pergola structure. The sky is a clear, light blue, suggesting a bright day.

**Inspired by safety.
Innovated for your lifestyle.**



FIRE INSPIRED™