



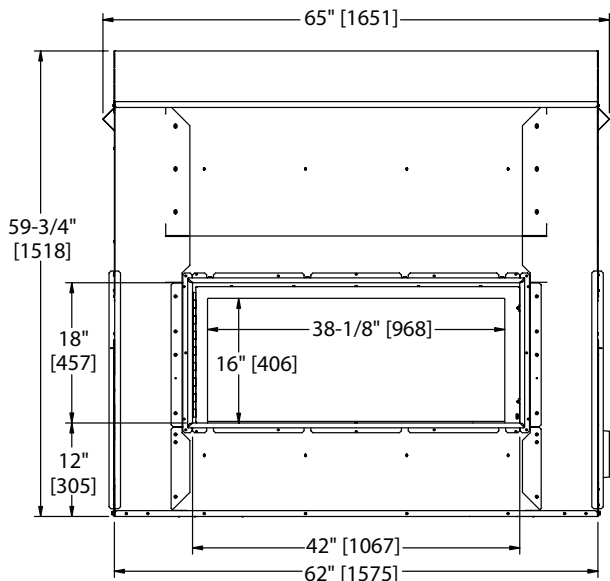
Please consult the manufacturer's installation manual for all details and requirements before making a final design layout decision.

Longmire

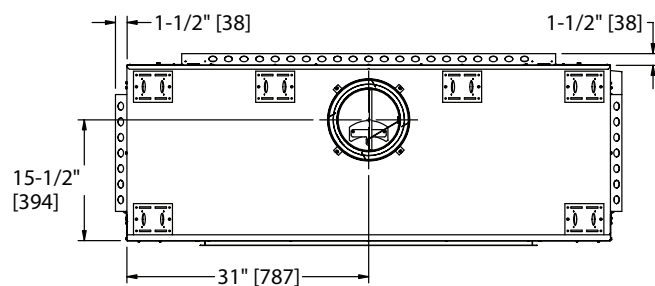
Linear Wood-Burning Fireplace

MODEL	FRONT WIDTH		BACK WIDTH		HEIGHT		DEPTH		VIEWING AREA
	Actual	Framing	Actual	Framing	Actual	Framing	Actual	Framing	
LM42-SS	65" [1651]	65-1/2" [1664]	65" [1651]	65-1/2" [1664]	59-3/4" [1518]	60-1/4" [1530]	24" [610]	24" [610]	38-1/8" x 16" [968 x 406]

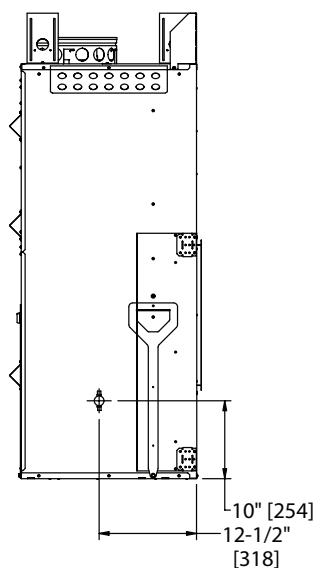
Front View



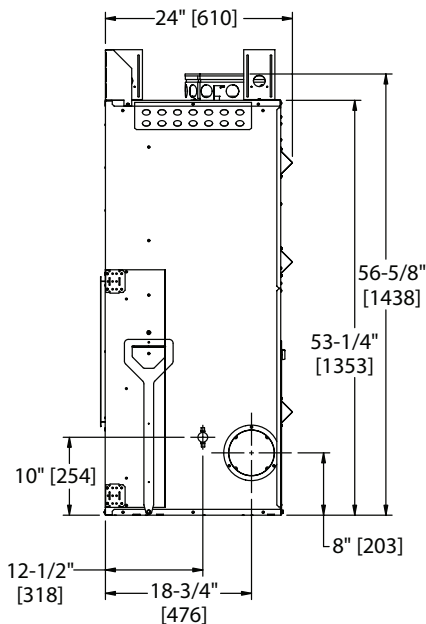
Top View



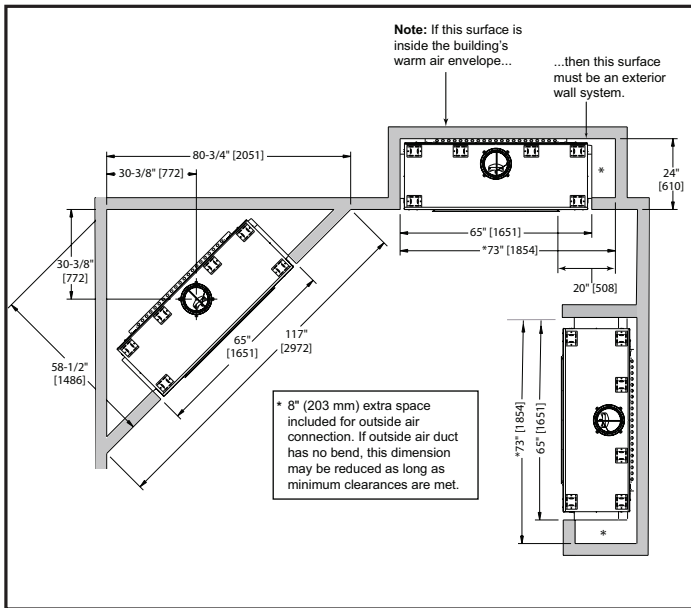
Left Side View



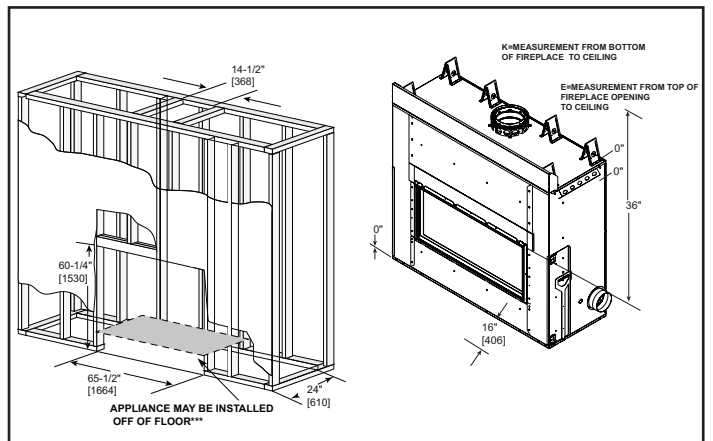
Right Side View



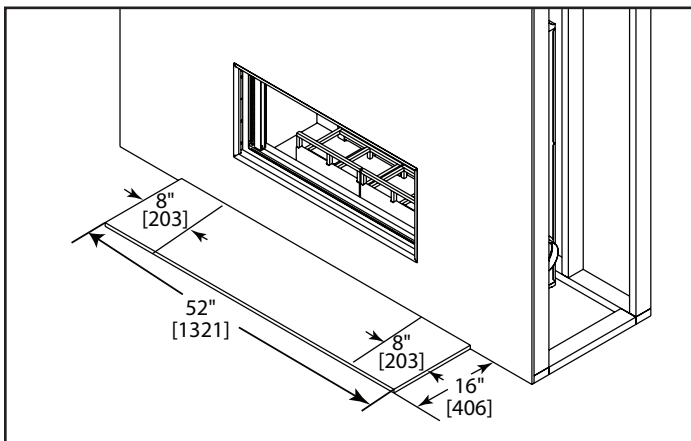
APPLIANCE LOCATION



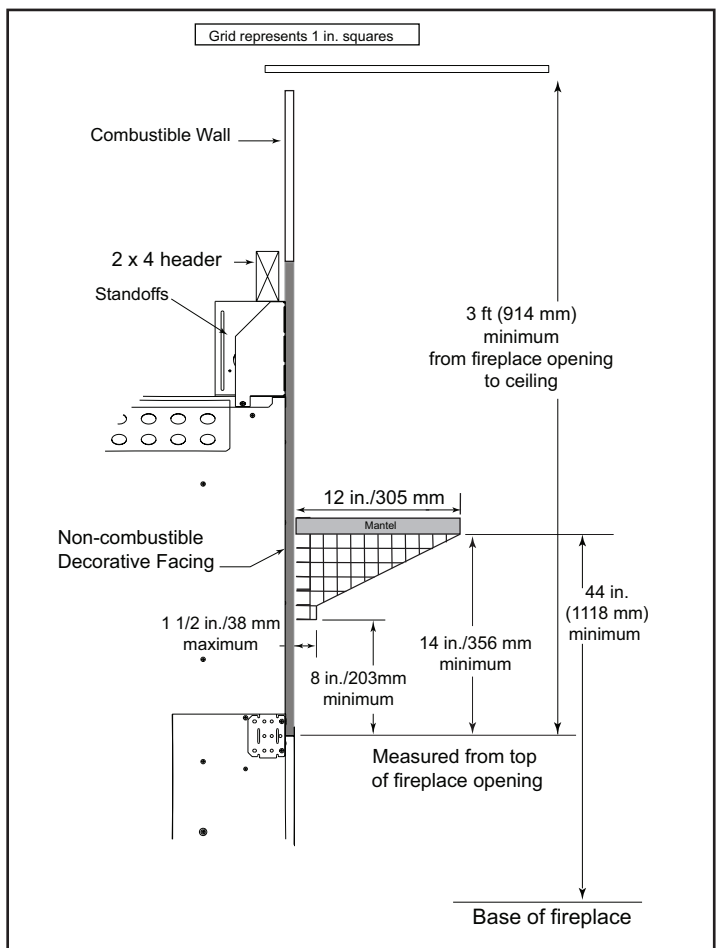
FRAMING DIMENSIONS



HEARTH PAD EXTENSION



MANTEL AND WALL PROJECTIONS



PRODUCT LISTING CODES	
US	UL 127
CAN	ULC-S610

Product information provided is not complete and is subject to change without notice. Product installation must adhere strictly to instructions accompanying product to avoid risk of fire and potential injury.

Additional information can be found online at www.heatilator.com