

INSTALLER:

Leave this manual with the appliance.

CONSUMER:

Retain this manual for future reference.

⚠ WARNING

If the information in this manual is not followed exactly, a fire or explosion may result causing property damage, personal injury or loss of life.

- Do not store or use gasoline or other flammable vapors and liquids in the vicinity of this or any other appliance.
- **WHAT TO DO IF YOU SMELL GAS**
 - Do not try to light any appliance.
 - Do not touch any electrical switch; do not use any phone in your building.
 - Immediately call your gas supplier from a neighbor's phone. Follow the gas supplier's instructions.
 - If you cannot reach your gas supplier, call the fire department.
- Installation and service must be performed by a qualified installer, service agency or the gas supplier.

This is an unvented gas-fired heater. It uses air (oxygen) from the room in which it is installed. Provisions for adequate combustion and ventilation air must be provided. Refer to pages 15.

CONTEMPORARY LINEAR VENT-FREE GAS FIREPLACE MODEL

VFLL60SP90L(N,P)-1



This appliance may be installed in an aftermarket, permanently located, manufactured (mobile) home, where not prohibited by local codes.

This appliance is only for use with the type of gas indicated on the rating plate. This appliance is not convertible for use with other gases.

GAS-FIRED



UL FILE NO. MH46389

This series is design certified in accordance with American National Standard Institute (ANSI) Z21.11.2 by the Canadian Standards Association Laboratories (CSA) as an Unvented Room Fireplace and should be installed according to these instructions.

**NATIONAL
FIREPLACE
INSTITUTE®**



CERTIFIED

www.nficertified.org

We suggest that our gas hearth products be installed and serviced by professionals who are certified in the U.S. by the National Fireplace Institute® (NFI) as NFI Gas Specialists.

⚠ WARNING



**HOT GLASS WILL
CAUSE BURNS.
DO NOT TOUCH GLASS
UNTIL COOLED.
NEVER ALLOW CHILDREN
TO TOUCH GLASS.**

TABLE OF CONTENTS

SECTION	PAGE
Before You Start	3 - 4
Carton Contents	5
Hardware Pack.....	6
Important Soot Prevention Steps	7
Product Specifications.....	8
Homeowner Reference Information	8
Accessories.....	9
Introduction	10
Important Safety Information.....	11
Safety Information for Users of LP Gas	12
Important Installation Guidelines.....	13
Water Vapor: A By-Product of Unvented Room Heaters	13
Provisions for Adequate Combustion & Ventilation Air.....	14
Fireplace Dimensions.....	15 - 16
Clearances	17
Framing Options.....	18 - 19
Adding Nailing Flanges & Standoff Brackets	20 - 22
Utility Installation	23 - 28
Installation OPTION 1 - Clean Face	29
OPTION 1 - Clean Face (Non - Combustible Board Installation).....	30 - 31
Installation OPTION 2 - Flush Mount	32
OPTION 2 - Flush Face (Non - Combustible Board Installation)	33 - 34
Installation OPTION 3 - Finishing Exterior Decorative Front	35
Decorative Glass Installation.....	36 - 37
Lighting Instructions	38
Pilot Flame Characteristics	39
Proflame - IP Control System.....	40
Trouble Shooting.....	41 - 43
Exploded View	44
Parts List	45
Service Technician Notes	46
Master Parts Distributor List.....	47
How To Order Repair Parts	47
Warranty.....	48

BEFORE YOU START

UNPACKING THE FIREPLACE

1. Remove the screws securing the plywood top to the corner supports. Remove the plywood top and discard.
2. Remove the screws securing each corner support to the pallet. Remove and discard the corner supports.
3. Cut the banding securing the fireplace to the pallet. Discard the banding.

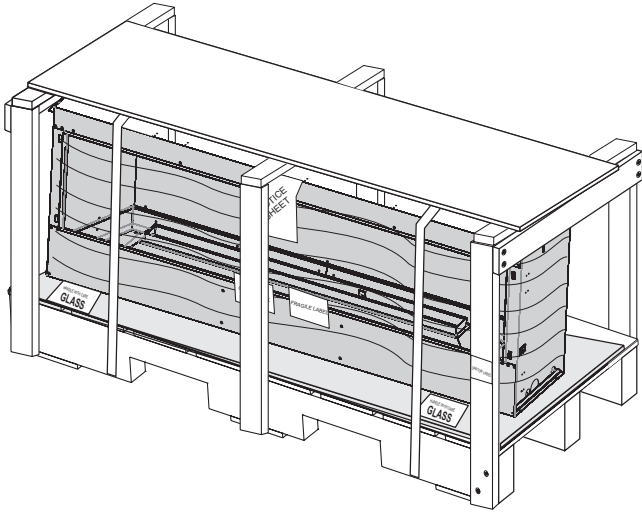


Figure 1

4. Remove the plastic wrap securing the instruction packet and the hardware box to the fireplace.

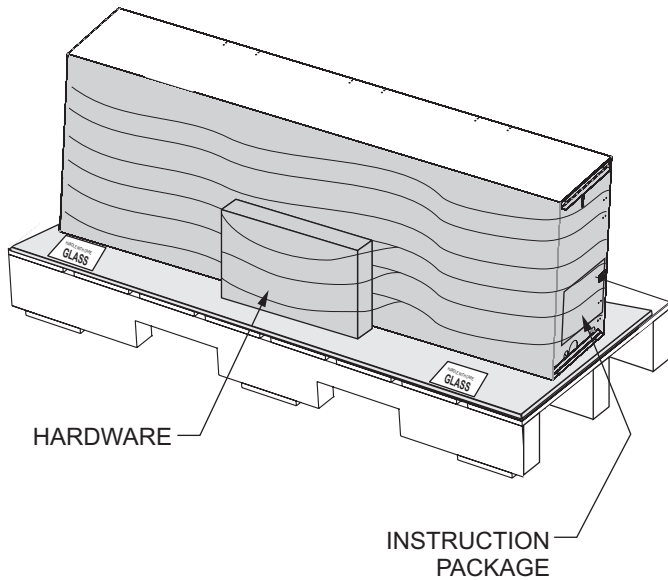


Figure 2

5. Carefully remove the bundle from inside the fireplace. This bundle contains two center glass supports and the burner deflector glass panels. Put the bundle in an out-of-the-way place to avoid damage.
6. Lift the fireplace from the pallet and place it near the installation site. If the fireplace must be placed on a hand truck, remove all loose components from inside the fireplace. Lift the fireplace from the left end where the junction box is located.
7. Remove the top cardboard bundle and the non-combustible boards from the pallet.
8. Carefully open the cardboard bundle remaining on the pallet. This bundle contains the optional inner top deflectors and the front glass barriers. Set components aside to avoid damaging them.

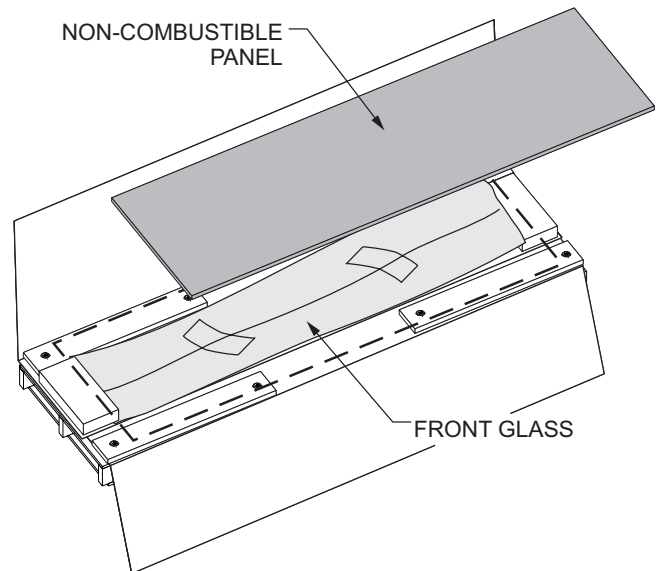


Figure 3

BEFORE YOU START

SAMPLE WARNINGS AND DEFINITIONS:

DANGER

Indicates a hazardous situation which, if not avoided, will result in death or serious injury.

WARNING

Indicates a hazardous situation which, if not avoided, could result in death or serious injury.

CAUTION

Indicates a hazardous situation which, if not avoided, could result in minor or moderate injury.

NOTICE: Addresses practices not related to personal injury.

INSTALLATION INFORMATION

1. Read the soot prevention information on page 7.
2. Read the safety information on pages 11 - 12.
3. Frame the opening. See pages 18 and 22.
4. Install the gas lines. See pages 25 - 26.
5. Install the wiring. See pages 27 - 30.
6. Install the remote system. See pages 28 - 41.
7. Light the fireplace. See page 39.
8. For detailed instructions on operating the Proflame - IP Control System see page 41 and homeowner manual.
9. For detailed instructions for the LED Controls. (See homeowner manual)
10. Show the homeowner how to operate the fireplace. (See homeowner manual)
11. Show the homeowner how to do the basic maintenance. (See homeowner manual)

FIREPLACE INSTALLATION GUIDELINES

Determine where to install the fireplace. The fireplace can be mounted on any of these surfaces:

1. A flat hard combustible or non-combustible surface.
2. A raised platform of combustible or non-combustible material.

If the fireplace is installed directly on carpeting, tile or other combustible material other than wood flooring, it must be installed on a metal or wood panel extending the full width and depth of the fireplace.

This fireplace is designed to be installed in a zero-clearance enclosure. This means combustible material such as framing lumber can come in contact with the top and side standoff spacers, and secured to combustible framing using the framing brackets provided.

Optional inner top deflectors are included with the fireplace. These can help distribute the heat more evenly across the fireplace opening. This does not change the requirements for non-combustible material above the fireplace opening.

This fireplace requires an easily accessible gas shutoff valve be installed in the gas supply line prior to its entry to the fireplace.

Determine the following before installation:

- Any desired accessories
- Gas supply piping (left side entrance).
- Electrical connections
- Electrical supply requirements for lights. (120V, 60Hz, 1 Amp) (left side entrance)

A shutoff valve containing a flange and key is recommended.

FINISHING OPTIONS

Choose from three finishing options.

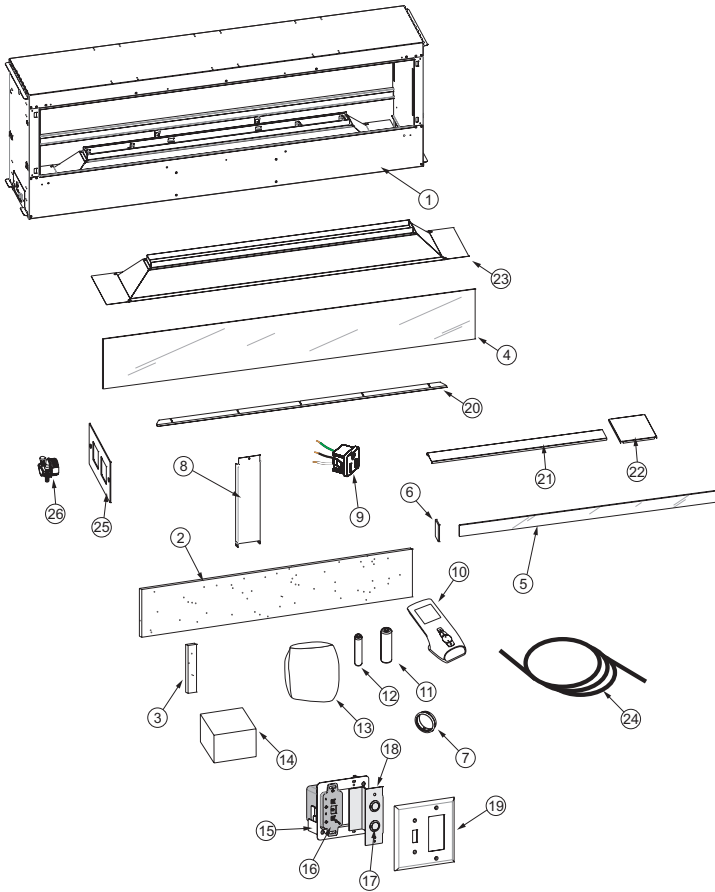
Option 1 - Clean Face: This type of installation starting on (pages 29, 30 and 31) will allow for finishing around the fireplace opening with high temperature paint.

Option 2 - Flush Mount: This type of installation starting on (pages 32, 33 and 34) will allow you to apply tile, marble, stone or other non-combustible material over the face of the fireplace cabinet, up to the fireplace opening flange.

Option 3 - Exterior Decorative Front: This stainless steel outdoor kit is designed to be installed on an exterior wall of your residence. The fireplace flame will be visible on a porch or area outside of the residence. The other side will be inside the residence. Glass panels will close off the exterior side of the fireplace and will act like an exterior window. The heat from the fireplace will be projected into the residence. This type of installation starts on pages 36 and 37.

CARTON CONTENTS

CARTON CONTENTS



Items not shown to scale.

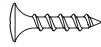
Index No.	Description	Quantity Supplied
1	Fireplace	1
2	Non-combustible Board - Top	2
3	Non-combustible Board - Side	4
4	Front Glass	2
5	Burner Glass	2
6	Side Burner Glass	2
7	Bushing	3
8	Standoff Bracket	6
9	Receptacle	2
10	Remote	1
11	AA Battery	4
12	AAA Battery	3
13	Hardware Pack	1
14	AC Adaptor	1
15	Wall Mounted Control Box	1
16	Remote Receiver	1
17	Button Switch	2
18	Mounting Bracket	1
19	Wall Plate	1
20	Inner Top Deflector (Optional Installation)	2
21	Glass Support Center	2
22	Glass Support Side	2
23	Center Reflector Assembly	1
24	Extension Receive Harness	1
25	Junction Box Cover	1
26	Romex Connector	1

For hardware pack contents, see page 6.

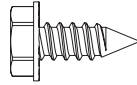
See Parts Lists on page 46 for ordering replacement parts. Do not order batteries, bolts, screws, washers or nuts. They are standard hardware items and can be purchased at any local hardware store.

HARDWARE PACK

HARDWARE PACK CONTENTS



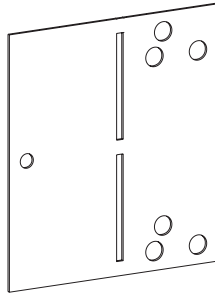
#4 X 1/2" PHILLIPS SCREW



#10 X 1/2" HEX HEAD SCREW



#8 X 1 1/2" PHILLIPS SCREW



NAILING FLANGE
(Not to scale)

Description	Quantity Supplied
4 x 1/2 Phillips Screw	4
10 X 1/2 Hex Head Screw	28
#8 x 1 1/2 Inch Screw	18
Nailing Flange	8

See Parts Lists on page 46 for replacement parts. Do not order batteries, bolts, screws, washers or nuts. They are standard hardware items and available at any local hardware store.

IMPORTANT SOOT PREVENTION STEPS

IMPORTANT NOTICE

INSTALLER - SERVICE PERSON - HOMEOWNER

SOOT MAY BE CREATED IF THE FOLLOWING DIRECTIONS ARE NOT FOLLOWED

A vent-free fireplace or burner draws room air to support combustion. Lightweight particles suspended in the air – including dust, carpet fibers, candle or tobacco smoke, and pet hair – will be drawn toward the fireplace. These can lead to soot build-up on logs, fireplace walls, and even walls of the room. To prevent malfunctions and sooting, have your dealer inspect and clean each year – before the heating season. If you have pets or excessive dust, more frequent cleaning may be necessary. See cleaning and service section in this manual.

1. Ensure the air shutter is set to the specification. **See Figures 4 to 6** on this page and **Tables 1 and 2 on page 8**.
2. Ensure burner, venturi, and air shutter are free of dirt, lint, animal hair (i.e. cat and dog) or anything that may block the needed air flow. See cleaning and service in homeowner manual.
3. Do not place debris, additional logs or other articles on the burner during operation.
4. Do not use scented air fresheners or candles while the fireplace is in operation. They produce residue which may cause soot.
6. Do not place glass media on burner or burner ports. The glass media should only be placed as shown in **Figure 55**.
7. Do not use rock wool (embers) or lava rock.
8. Avoid the use of decorative or scented candles while the fireplace is in operation. Soot may be produced from the by-products of a burning candle. Some candles also produce soot.
9. Annual inspection and cleaning by your dealer or a qualified service technician is recommended to prevent malfunction and/or sooting.
10. Install optional logs according to the installation instructions. Only use Empire Logs made for this fireplace.
11. Verify the venturi tube is not bent or distorted. The main burner orifice must be centered in the venturi tube to ensure proper combustion and to prevent sooting.

⚠ WARNING

Do not allow fans to blow directly into or at the fireplace. Avoid any drafts that alter burner flame patterns. Avoid any drafts that alter burner flame patterns. Pay particular attention to ceiling fans and exhaust fans.

Verify the air shutter for the correct setting. Refer to page 8 for specific air shutter settings of each model.

Test air shutter setting with a round object like a drill bit. The object should barely slide between the opening. **(See Figure 4)**

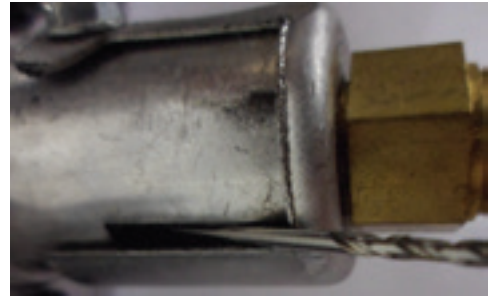


Figure 4 (Measure opening using drill bit)

LP Gas Models - The air shutter setting must be 1/4 inch. **(See Figure 5 and Table 2 on Page 8)**



Figure 5 (1/4-inch opening for LP models)

NAT Gas Models - The air shutter setting must be 1/16 inch. **(See Figures 5, 6 and Table 1 on Page 8)**



Figure 6 (1/16-inch opening for natural gas models)

PRODUCT SPECIFICATIONS

	VFLL60SP90LP (LP GAS)	VFLL60SP90LN (NAT GAS)
Input BTU/HR Maximum	38,500	40,000
Input BTU/HR Minimum	29,000	25,000
Orifice	1.8mm	#32

NOTICE: Air shutter settings are factory set and may not be altered.

GAS SUPPLY PRESSURES (inches water column)			
GAS TYPE	MAXIMUM	MINIMUM	MANIFOLD
NAT	10.5	7.0	3.5
LP	13.0	11.0	10.0

Table 1 - Air Shutter Opening - Natural Gas Models	
Model	Air Shutter Opening
VFLL60SP90LN	1/16 inch

Table 2 - Air Shutter Opening - LP Gas Models	
Model	Air Shutter Opening
VFLL60SP90LP	1/4 inch

HOMEOWNER REFERENCE INFORMATION

We recommend that you record the following information about your fireplace.

Model Number: _____

Date purchased: _____

Serial Number: _____

Location of fireplace: _____

Dealer Name: _____

Dealer Phone: _____

Notes: _____

ACCESSORIES

REQUIRED ACCESSORIES

PART NUMBER VFLL60	DESCRIPTION
DG1CLF	Decorative Glass, Crushed - Clear Frost (One kit per one square foot) Recommended
DG1BKP	Decorative Glass, Crushed - Black Polished (One kit per one square foot)
DG1BUC	Decorative Glass, Crushed - Blue Clear (One kit per one square foot)
DG1BCR	Decorative Glass, Crushed - Copper Reflective (One kit per one square foot)
DG1BZR	Decorative Glass, Crushed - Bronze Reflective (One kit per one square foot)

NOTICE: Four square feet of decorative crushed glass is required for installation. Clear Frost is recommended. Decorative Glass Droplets cannot be substituted for crushed glass. One box of crushed glass covers 1 sq. ft. Glass colors are mixed, and transparent and translucent crushed glass makes LED lights visible.

NOTICE: Never place decorative media material on or next to the burner.

OPTIONAL ACCESSORIES

PART NUMBER VFLL60	DESCRIPTION
DFL601BL	Decorative Front, Beveled, 3/4 inch, Black
DFL602BL	Decorative Front, Beveled, 1 1/2 inch, Black
DFL602NB	Decorative Front, Beveled, 1 1/2 inch, Brushed Nickel
VBP60SLKR	Liner - Black Glass
DFEV60SS	Decorative Front For External Installation (Screen Assembly Included)
LS60SHF	Log Set - 22 Piece
DG1AB	Decorative Glass Droplets - 1/2 inch Aqua Blue
DG1GC	Decorative Glass Droplets - 1/2 inch Glacier Ice
DG1SL	Decorative Glass Droplets - 1/2 inch Sangria Luster
DG1NXS	Decorative Glass Drops - 1 inch Onyx Solid
DG1TZC	Decorative Glass Drop - 1 inch Topaz Clear
DRFPA	Decorative Rock, Ceramic Fiber - Pebble

NOTICE: If installing a decorative front, an offset between the finishing materials and fireplace opening is required. Refer to page 32 and 35 as well as the installation instructions provided with the decorative front for more information.

INTRODUCTION

INSTRUCTIONS TO INSTALLER

1. Leave instruction manual with owner after installation.
2. Have owner register online or fill out and mail the Product Registration Card supplied with the unvented fireplace.
3. Fill out Homeowner Reference Information on page 8.
4. Show homeowner how to start and operate the fireplace.
5. Show homeowner basic maintenance.

Consult your local Building Department regarding regulations, codes or ordinances which apply to the installation of an unvented fireplace.

This fireplace may be installed in an aftermarket* manufactured (mobile) home, where not prohibited by state or local codes.

*Aftermarket: Completion of sale, not for purpose of resale, from the manufacturer.

WELL HEAD GAS INSTALLATIONS

Some natural gas utilities use “well head” gas. This may affect the Btu output of the unit and promote sooting. Units shall not be converted to use well head gas.

This appliance is only for use with the type of gas indicated on the rating plate. This appliance is not convertible for use with other gases.

WARNING

Any change to this fireplace or its controls can be dangerous. Improper installation or use of the fireplace can cause serious injury or death from fire, burns, explosion or carbon monoxide poisoning.

This fireplace is intended for supplemental heating.

Any alteration of the original design, installed other than as shown in these instructions or use with a type of gas not shown on the rating plate is the responsibility of the person and company making the change.

IMPORTANT

All correspondence should refer to complete Model Number, Serial Number and type of gas. (See page 8)

WARNING

This appliance is equipped for natural or propane gas. Field conversion is not permitted.

During manufacture, this fireplace is treated with oils, films and bonding agents. These are not harmful but may produce smoke and odor as they burn off during initial operation. This is normal. Open window to vent any smoke or odor.

INSTALLATION ON RUGS AND TILE

If this fireplace is installed directly on carpeting, tile or other combustible material other than wood flooring the fireplace shall be installed on a metal or wood panel extending the full width and depth of the fireplace.

QUALIFIED INSTALLING AGENCY

Installation and replacement of gas piping, gas utilization equipment or accessories and repair and servicing of equipment shall be performed only by a qualified agency.

The term qualified agency means any individual, firm, corporation or company which either in person or through a representative is engaged in and is responsible for (a) the installation or replacement of gas piping or (b) the connection, installation, repair or servicing of equipment, who is experienced in such work, familiar with all precautions required and has complied with all the requirements of the authority having jurisdiction.

Commonwealth of Massachusetts: The installation must be made by a licensed plumber or gas fitter in the Commonwealth of Massachusetts.

Sellers of unvented propane or natural gas-fired supplemental fireplaces shall provide to each purchaser a copy of 527 CMR 30 upon sale of the unit.

In the Commonwealth of Massachusetts, unvented propane and natural gas-fired space heaters shall be prohibited in bedrooms and bathrooms.

The installation must conform with local codes or, in the absence of local codes, with the National Fuel Gas Code, ANSI Z223.1.*/ NFPA 54.

*Available from the American National Standards Institute, Inc.
1430 Broadway, New York, N.Y. 10018.

WARNING

Failure to keep the primary air opening(s) of the burner(s) clean may result in sooting and property damage.

FOR THE INSTALLER

- Installation and repair should be done by a qualified service person. The fireplace should be inspected before use and at least annually by a qualified service person. More frequent cleaning might be required due to excessive lint from carpeting, bedding material, etc. It is imperative that control compartments, burners and circulating air passageways of the fireplace be kept clean. Keep burner and control compartment clean.
- An unvented room fireplace having an input rating of more than 6,000 Btu per hour shall not be installed in a bathroom
- An unvented room fireplace having an input rating of more than 10,000 Btu per hour shall not be installed in a bedroom or bathroom.
- Use Non-Combustible Materials where indicated for the fireplace installation. Non-combustible material do not ignite or burn as a result of using the fireplace. These include metal, brick, ceramic, concrete, slate, glass, and plaster. Adhesives must be rated for high temperatures. Any mechanical fasteners used to install material must also be non-combustible, including wall anchors and tile spacers. Materials that pass the ASTM E 136 test (Standard Test Method for Behavior of Materials in a Vertical Tube Furnace at 750C) are considered non-combustible.
- Install the fireplace out of household traffic and away from furniture and draperies. The high temperatures produced by the fireplace create an ignition risk.

IMPORTANT SAFETY INFORMATION

WARNING

When used without adequate combustion and ventilation air, appliance may give off CARBON MONOXIDE, an odorless, poisonous gas.

Do not install appliance until all necessary provisions are made for combustion and ventilation air. Consult the written instructions provided with the appliance for information concerning combustion and ventilation air. In the absence of instructions, refer to the National Fuel Gas Code, ANSI Z223.1/NFPA 54, Air for Combustion and Ventilation, or applicable local codes.

This appliance is equipped with a PILOT LIGHT SAFETY SYSTEM designed to turn off the appliance if not enough fresh air is available.

The pilot light safety system senses the depletion of oxygen at its location. If this fireplace is installed in a structure having a high vertical dimension, the possibility exists that the oxygen supply at the higher levels will be less than that at the fireplace. In this type of application, a fan to circulate the structure air will minimize this effect. The use of this fan will also improve the comfort level in the structure. When a fan is used to circulate air, it should be located so that the air flow is not directed at the burner.

DO NOT TAMPER WITH PILOT LIGHT SAFETY SYSTEM!

If fireplace shuts off, do not relight until you provide fresh air.

If fireplace keeps shutting off, have it serviced. Keep burner and control compartment clean. See installation and operating instructions.

WARNING

CARBON MONOXIDE POISONING MAY LEAD TO DEATH.

Early signs of carbon monoxide poisoning resemble the flu, with headache, dizziness and/or nausea. If you have these signs, fireplace may not be working properly. Get fresh air at once! Have fireplace serviced.

Some people — pregnant women, persons with heart or lung disease, anemia, those under the influence of alcohol, those at high altitudes — are more affected by carbon monoxide than others.

DANGER

The installer is responsible for the verifying the correct position of the air shutter and adjusting it if required. If not adjusted to the proper opening, a fire, explosion, or production of carbon monoxide may result causing property damage, personal injury or loss of life.

DANGER

The installer of is responsible for testing all connections for gas leaks. A gas leak will create a situation where a fire, explosion, or production of carbon monoxide may result causing property damage, personal injury or loss of life.

WARNING

Do not use a blower insert, heat exchanger insert or other accessory not approved for use with this heater. The use of accessories not tested and approved for use with this fireplace will create a situation where a fire, explosion, or production of carbon monoxide may result causing property damage, personal injury or loss of life.

WARNING

This fireplace needs fresh air for ventilation to run properly. Inadequate air supply may create a situation where a fire, explosion, or production of carbon monoxide may result causing property damage, personal injury or loss of life. This fireplace has an ODS (oxygen depletion sensor) which will shut down the fireplace if adequate fresh air is not available. See troubleshooting section in the instructions.

WARNING

Do not operate this fireplace unless all components including burners and controls are in good working condition. Never operate this fireplace if any optional log or twig is broken. Replacement components are available through your local dealer as indicated in the How to Order Repair Parts section of the fireplace manual. See Page 47.

SAFETY INFORMATION FOR USERS OF LP GAS

Propane (LP Gas) is a flammable gas which can cause fires and explosions. In its natural state, propane is odorless and colorless. You may not know all the following safety precautions which can protect both you and your family from an accident. Read them carefully now, then review them point by point with the members of your household. Someday when there may not be a minute to lose, everyone's safety will depend on knowing exactly what to do. If, after reading the following information, you feel you still need more information, please contact your gas supplier.

LP GAS WARNING ORDER

If a gas leak happens, you should be able to smell the gas because of the odorant put in by the gas supplier. That's your signal to go into immediate action!

- Do not operate electric switches, light matches, or use your phone. Do not do anything that could ignite the gas.
- Get everyone out of the building, vehicle, trailer, or area. Do that IMMEDIATELY.
- Close all gas tank or cylinder supply valves.
- LP Gas is heavier than air and may settle in low areas such as basements. When you have reason to suspect a gas leak, keep out of basements and other low areas. Stay out until firefighters declare them to be safe.
- Use your neighbor's phone and call a trained LP Gas service person and the fire department. Even though you may not continue to smell gas, do not turn on the gas again. Do not re-enter the building, vehicle, trailer, or area.
- Finally, let the service man and firefighters check for escaped gas. Have them air out the area before you return. Properly trained LP Gas service people should repair the leak, then check and relight the gas fireplace for you.

NO ODOR DETECTED - ODOR FADE

Some people cannot smell well. Some people cannot smell the chemical put into the gas. You must find out if you can smell the odorant in propane. Smoking can decrease your ability to smell. Being around an odor for a time can affect your sensitivity or ability to detect that odor. Sometimes other odors in the area mask the gas odor. People may not smell the gas odor or their minds are on something else. Thinking about smelling a gas odor can make it easier to smell.

The odorant in LP Gas is colorless, and it can fade under some circumstances. For example, if there is an underground leak, the movement of the gas through soil can filter the odorant. The odorants is subject to oxidation. Fading can occur if there is rust inside the storage tank or in iron gas pipes.

The odorant in escaped gas can adsorb or absorb onto or into walls, masonry and other materials and fabrics in a room. That will take some of the odorant out of the gas, reducing its odor intensity.

LP Gas may stratify in a closed area, and the odor intensity could vary at different levels. Since it is heavier than air, there may be more odor at lower levels. Always be sensitive to the slightest gas odor. If you detect any odor, treat it as a serious leak.

Immediately go into action as instructed earlier.

SOME POINTS TO REMEMBER

- Learn to recognize the odor of LP Gas. Your local LP Gas Dealer can give you a Scratch and Sniff pamphlet. Use it to find out what the propane odor smells like. If you suspect that your LP Gas has a weak or abnormal odor, call your LP Gas Dealer.
- If you are not qualified, do not light pilot lights, perform service, or make adjustments to fireplaces on the LP Gas system. If you are qualified, consciously think about the odor of LP Gas prior to and while lighting pilot lights or performing service or making adjustments.
- Sometimes a basement or a closed-up house has a musty smell that can cover up the LP Gas odor. Do not try to light pilot lights, perform service, or make adjustments in an area where the conditions are such that you may not detect the odor if there has been a leak of LP Gas.
- Odor fade, due to oxidation by rust or adsorption on walls of new cylinders and tanks, is possible. Therefore, people should be particularly alert and careful when new tanks or cylinders are placed in service. Odor fade can occur in new tanks, or reinstalled old tanks, if they are filled and allowed to set too long before refilling. Cylinders and tanks which have been out of service for a time may develop internal rust which will cause odor fade. If such conditions are suspected to exist, a periodic sniff test of the gas is advisable. If you have any question about the gas odor, call your LP Gas dealer. A periodic sniff test of the LP Gas is a good safety measure under any condition.
- If, at any time, you do not smell the LP Gas odorant and you think you should, assume you have a leak. Then take the same immediate action recommended above for the occasion when you do detect the odorized LP Gas.
- If you experience a complete gas out, (the container is under no vapor pressure), turn the tank valve off immediately. If the container valve is left on, the container may draw in some air through openings such as pilot light orifices. If this occurs, some new internal rusting could occur. If the valve is left open, then treat the container as a new tank. Always be sure your container is under vapor pressure by turning it off at the container before it goes completely empty or having it refilled before it is completely empty.

IMPORTANT INSTALLATION GUIDELINES

PROPER PRIMARY AIRFLOW INTO BURNER

For proper burner operation and flame appearance, the flow of primary air into the venturi tube, located at the gas inlet of the burner, must not be reduced. This flow of air is reduced if dirt, lint or other obstructions build-up around or inside the venturi. Any obstruction in the venturi tube area must be removed. The flow of air into the venturi is also reduced if the gas orifice isn't centered in the venturi inlet and/or is not aligned with the venturi. Any misalignment of the burner orifice may be corrected by bending the shutter cap holding the orifice to the inlet of the venturi tube.

CEILING FANS, PORTABLE FANS OR LOGS INSTALLED NEAR COLD AIR RETURNS

Ceiling fans or oscillating floor type fans need to be monitored during the operation of a vent-free fireplace. If the air blows directly into the flame causing it to disrupt the flame, it should be turned off or redirected. Ceiling fans could be reversed to possibly eliminate flame impingement, and the floor fan should be redirected. Upon installation, be aware of any cold air returns or vents in the proximity of the fireplace. Any draft created around a vent-free fireplace can cause the flame to impinge on the logs or decorative media and create a sooting situation.

TELEVISION CONSIDERATIONS

Installing a television above a fireplace has become increasingly popular; however, the area above any fireplace gets hot and most TV manufacturers recommend against placing their products near a heat source.

If you install a television above this fireplace, Empire Comfort Systems accepts no responsibility for damage or injuries. Follow the television manufacturer's installation instructions, including any recommendations regarding proximity to heat sources. If you have a TV above your fireplace, turn off the fireplace and let it cool completely before servicing or touching any buttons on the TV.

WATER VAPOR: A BY-PRODUCT OF UNVENTED ROOM HEATERS

Water vapor is a by-product of gas combustion. An unvented room heater produces approximately one ounce (30ml) of water for every 1,000 BTU (.3KW's) of gas input per hour.

Unvented room heaters are recommended as supplemental heat (a room) rather than a primary heat source (an entire house). In most supplemental heat applications, the water vapor does not create a problem, but helps correct the low humidity atmosphere experienced during cold weather.

The following steps will help ensure that water vapor does not become a problem.

1. Be sure the heater is sized properly for the application, including ample combustion air and circulation air.
2. If high humidity is experienced, a dehumidifier will help lower the water vapor content of the air.
3. Do not use an unvented room heater as the primary heat source.

PROVISIONS FOR ADEQUATE COMBUSTION & VENTILATION AIR

This heater shall not be installed in a confined space unless provisions are provided for adequate combustion and ventilation air.

The National Fuel Gas Code defines a confined space as a space whose volume is less than 50 cubic feet per 1,000 Btu per hour (4.8 m³ per kw) of the aggregate input rating of all appliances installed in that space and an unconfined space as a space whose volume is not less than 50 cubic feet per 1,000 Btu per hour (4.8 m³ per kw) of the aggregate input rating of all appliances installed in that space. Rooms communicating directly with the space in which the appliances are installed, through openings not furnished with doors, are considered a part of the unconfined space.

UNUSUALLY TIGHT CONSTRUCTION

The air that leaks around doors and windows may provide enough fresh air for combustion and ventilation. However, in buildings of unusually tight construction, you must provide additional fresh air.

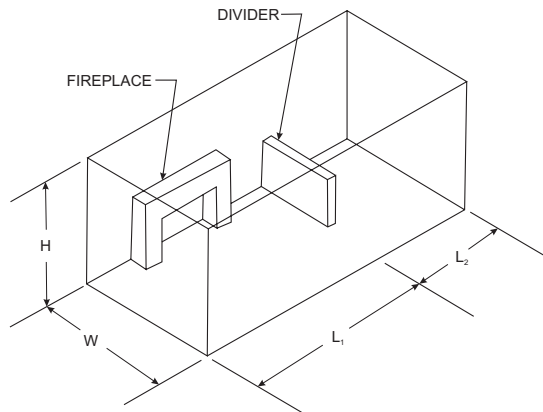
Unusually tight construction is defined as construction where:

- Walls and ceilings exposed to the outside atmosphere have a continuous water vapor retarder with a rating of one perm or less with any openings gasketed or sealed, and
- Weatherstripping has been added on openable windows and doors, and
- Caulking or sealants are applied to areas such as joints around window and door frames, between sole plates and floors, between wall-ceiling joints, between wall panels, at penetrations for plumbing, electrical, and gas lines, and at other openings.

If your home meets all of the three criteria above, you must provide additional fresh air.

WARNING

If the area in which the heater may be operated is smaller than that defined as an unconfined space or if the building is of unusually tight construction, provide adequate combustion and ventilation air by one of the methods described in the *National Fuel Gas Code, ANSI Z223.1/NFPA 54, Air for Combustion and Ventilation*, or applicable local codes.



Example of Large Room with 1/2 Wall divider.

Figure 7

The following formula can be used to determine the maximum heater rating per the definition of unconfined space:

$$\text{Btu/Hr} = \frac{(L_1 + L_2)\text{FT} \times (W)\text{FT} \times (H)\text{FT}}{50} \times 1000$$

If the area in which the heater may be operated is smaller than that defined as an unconfined space, provide adequate combustion and ventilation air by one of the methods described in the National Fuel Gas Code, ANSI Z223.1, NFPA54.

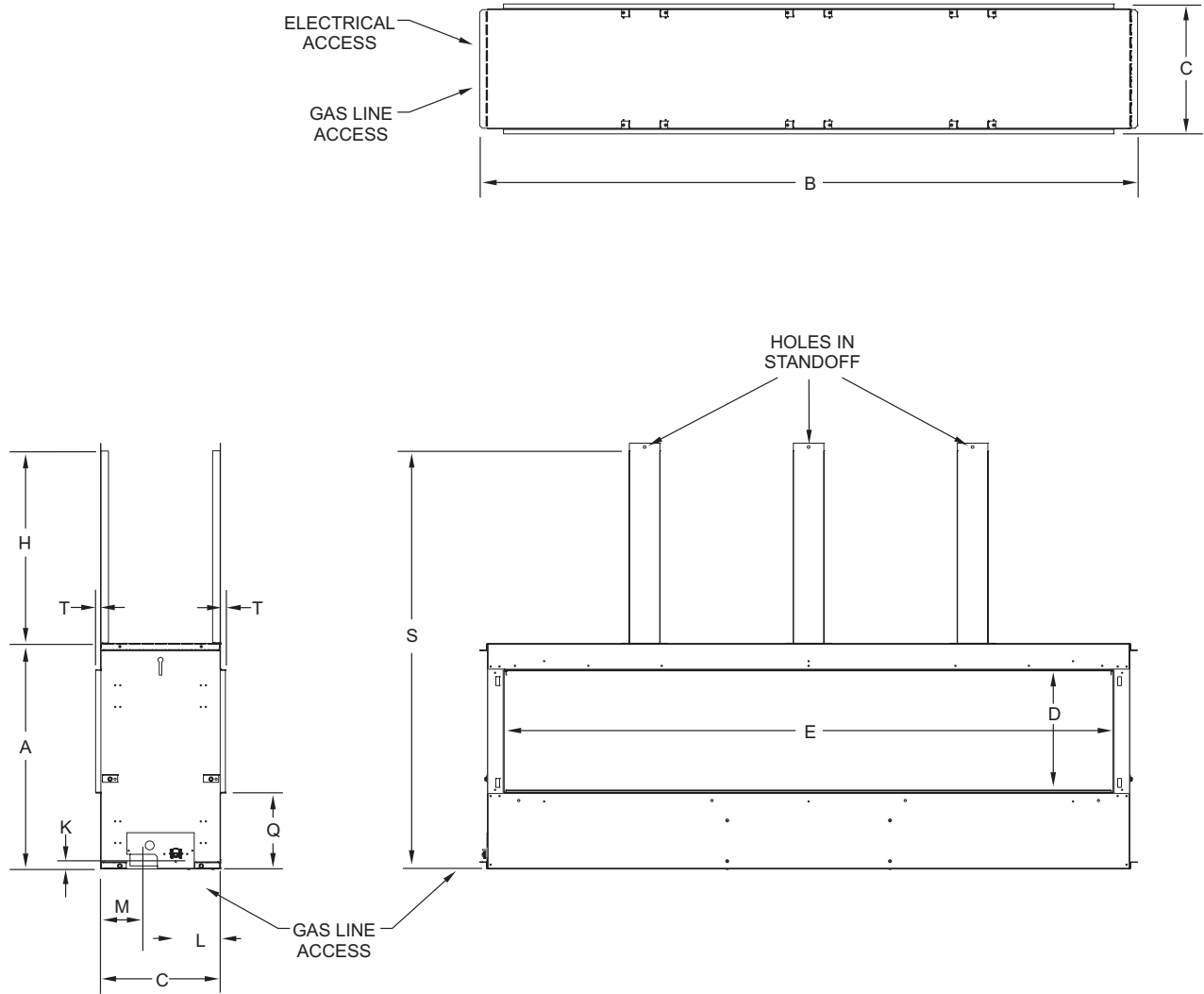
Adhere to all codes, or in their absence, the latest edition of THE NATIONAL FUEL GAS CODE ANSI Z223.1/NFPA54 which can be obtained from:

American National Standards Institute National Fire Protection Association, Inc.

11 West 42nd St.
New York, NY 10018

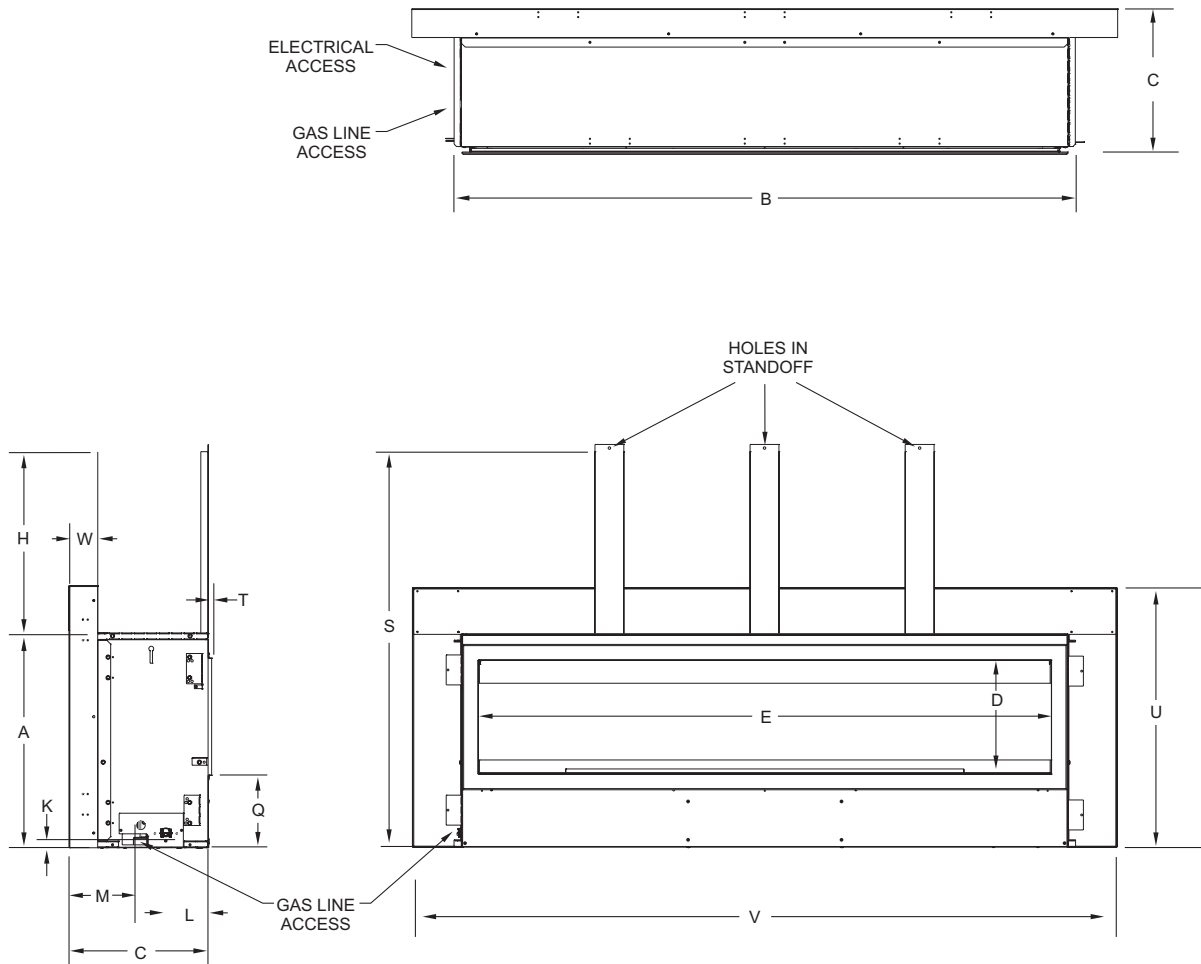
Batterymarch Park
Quincy, MA 02269

FIREPLACE DIMENSIONS



INDEX LETTER	DIMENSION DESCRIPTION	VFLL60SP
		DIMENSION INCHES
A	The maximum height of firebox face (excluding standoffs)	22-1/4
B	The maximum width of the firebox face (excluding nailing flanges)	64-3/4
C	The maximum depth of the firebox	11-3/4
D	The height of the firebox opening	12-1/16
E	The width of the firebox opening	60
H	The height to the firebox standoffs	18-15/16
K	Height from the bottom of the firebox to the gas line opening	3/4
L	Depth from the front of the firebox to gas line opening	7-13/16
M	Depth from rear of firebox to gas line opening	4-1/8
N	Glass height (not shown)	8
O	Glass width (not shown)	61-1/4
Q	Distance from fireplace bottom to fireplace opening	7-9/16
S	Overall height to header	41-3/16
T	Opening Lip	1/2

FIREPLACE DIMENSIONS



INDEX LETTER	DIMENSION DESCRIPTION	VFLL60SP
		DIMENSION INCHES
A	The maximum height of firebox face (excluding standoffs)	22-1/4
B	The maximum width of the firebox face (excluding nailing flanges)	64-3/4
C	The maximum depth of the firebox	14-7/16
D	The height of the firebox opening	12-1/16
E	The width of the firebox opening	60
H	The height to the firebox standoffs	18-15/16
K	Height from the bottom of the firebox to the gas line opening	3/4
L	Depth from the front of the firebox to gas line opening	7-13/16
M	Depth from rear of firebox to gas line opening	6-3/4
N	Glass height (not shown)	8
O	Glass width (not shown)	61-1/4
Q	Distance from fireplace bottom to fireplace opening	7-9/16
S	Overall height to header	41-3/16
T	Opening Lip	1/2
U	Height of the outdoor kit	27-1/16
V	Width of outdoor kit	73-1/2
W	Thickness of outdoor kit	3

FRAMING OPTIONS

READ THIS BEFORE YOU BEGIN FRAMING

This versatile fireplace can be installed in a variety of ways. Finishing **Options 1 and 2** are for the fireplace face that opens to an interior wall. **Option 3** is only for units installed on an exterior wall.

The three options create different looks on the faces of the fireplace. Because this is a see-through fireplace, you can select different looks for **Faces A and B** – such as clean-face on one side and tile on the other. The framing depth will vary, depending on which finishing option(s) you select.

Unlike a single-sided fireplace, you can not scoot the unit forward or back in the opening. Getting the precise framing depth is critical. See framing depths in the table below and see the descriptions for the three finishing option after the table.

		Framing Dimensions (inches)				
Face A	Face B	A	B	C*	D	E
OPTION 1	OPTION 1	41-1/2	67-1/2	11-3/4	NA	NA
OPTION 2	OPTION 2	41-1/2	67-1/2	10-3/4	NA	NA
OPTION 1	OPTION 2	41-1/2	67-1/2	11-1/4	NA	NA
OPTION 1	OPTION 3	41-1/2	67-1/2	14	27-1/2	74-1/4
OPTION 2	OPTION 3	41-1/2	67-1/2	13-1/2	27-1/2	74-1/4

* See Figure 18 on page 19.

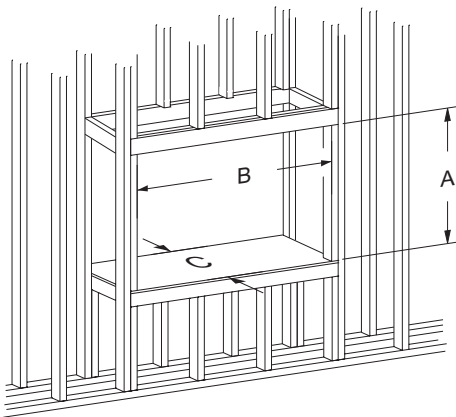


Figure 13 - Rough Opening for Elevated Installation

If this fireplace will be installed on an outside wall, see instructions provided with DFEV60SS decorative front for exterior walls.

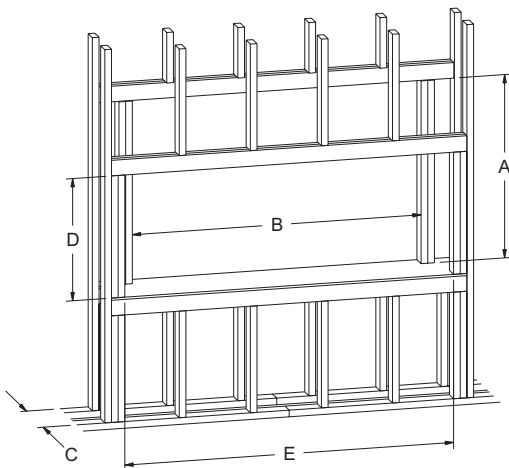


Figure 14 - Rough Opening for Elevated Installation

OPTION 1 allows you to install the non-combustible board to within 1/16 inch of the flange around the fireplace opening. By taping the joints between the non-combustible board and the surrounding wallboard and then expertly finishing the wall with plaster or high-temp paint you can create a Clean Face look like the photo below. (If you plan to install a decorative front increase the gap around the fireplace opening flange to 7/8 inch). **See Figure 15.**

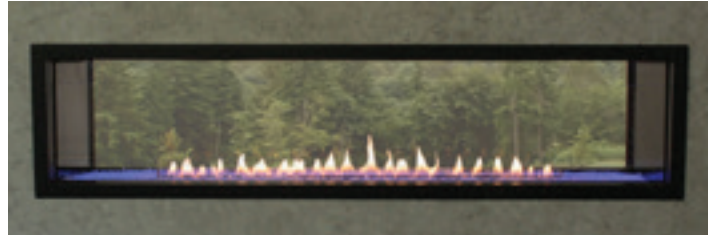


Figure 15

OPTION 2 allows you to install the non-combustible board flush with the fireplace face and then install tile, stone, or other non-combustible materials to with 1/16 inch of the fireplace opening—or 7/8 inch, if you purchased a decorative front. (See photo below. Shown with decorative front). **See Figure 16.**



Figure 16

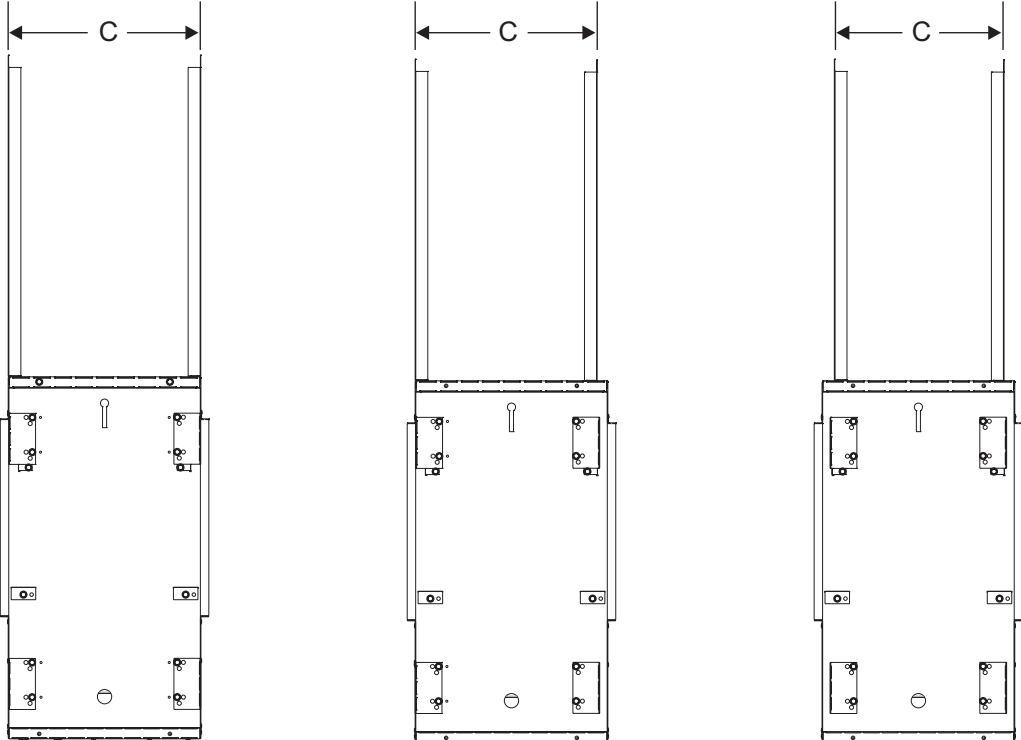
OPTION 3 is only for installation on an exterior wall where the fireplace will be visible from inside and outside the home. This installation requires the Exterior Frame with Glass and Barrier Screen (DFEV60SS) and special framing for the exterior wall to accommodate the frame kit. Before you begin the installation see instruction manual 37831, included with the kit. **See Figure 17.**



Figure 17

1. Frame in rough opening.
 - This fireplace is designed to be mounted on a hard, flat surface or raised platform.
 - Use **Figure 13** for installation on interior wall and **Figure 17** for installation on exterior wall. Provide support to the bottom of the fireplace.
2. Refer to Junction Box Wiring Section on pages 27 - 30 for details on electrical requirements.
3. Verify gas and electrical lines are ready for fireplace installation. (See gas supply pages 25 - 26).

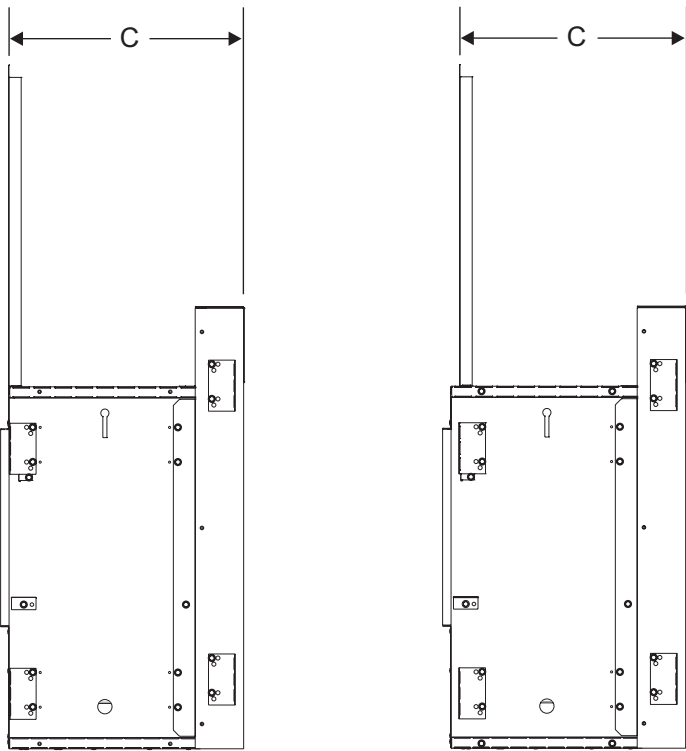
FRAMING OPTIONS (CONT'D)



OPTION 1 - OPTION 1

OPTION 1 - OPTION 2

OPTION 2 - OPTION 2



OPTION 1 - OPTION 3

OPTION 2 - OPTION 3

Figure 18 - Framing Dimensions A

ADDING NAILING FLANGES & STANDOFF BRACKETS

1. At the top and bottom of the fireplace, use pliers to bend each side standoff 90 degrees away from the cabinet. See **Figure 19**.

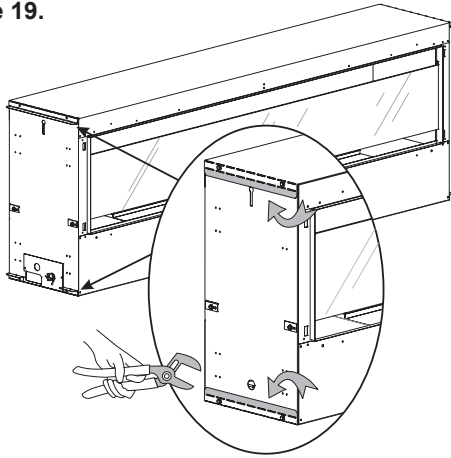


Figure 19

Locate the nailing flanges and standoff brackets supplied with the fireplace inside the hardware box.

2. The holes in the nailing flanges allow for different thickness boards and depths of wall boards. See **Figure 20**. Install nailing flanges with two 10 x 12 screws (each) in pair of holes closer to the face of the fireplace. Leave the nailing flanges flat until after you lift the fireplace into the framing. See **Figure 24**.

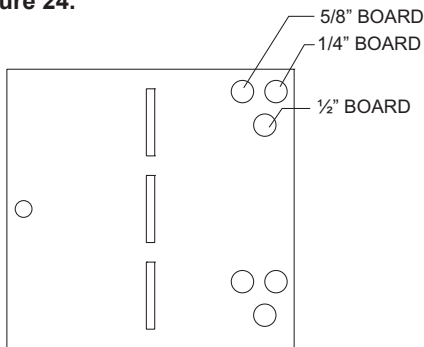


Figure 20

- 3a. **If installing an Exterior Decorative Front:**
 - Modify fireplace using instructions provided with Front.
- 3b. Remove the plastic covering the stainless.
- 3c. Slide the outer glass and frame over the top and sides of the fireplace. See **Figure 19**.

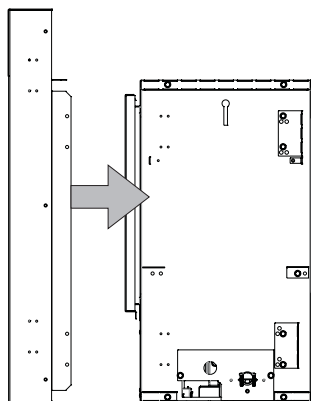


Figure 21

- 3d. Secure the outer glass and frame to the top of the fireplace. See **Figure 22**.

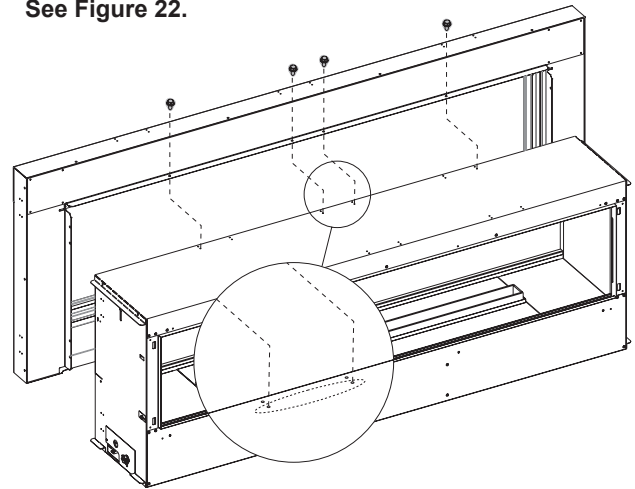


Figure 22

- 3e. Secure the outer glass and frame to the side of the fireplace. See **Figure 23**.

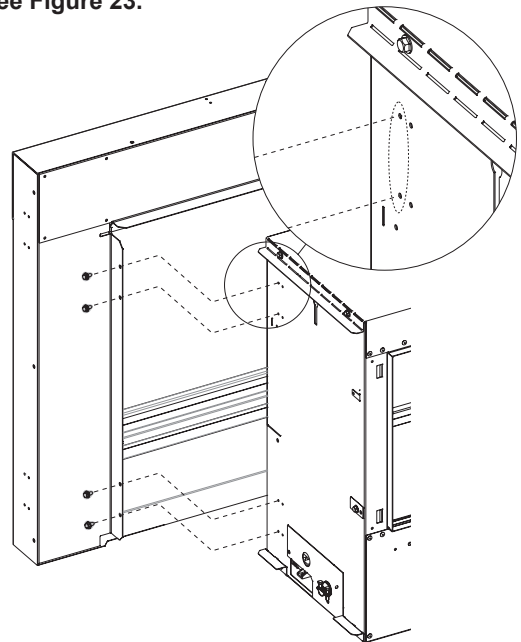


Figure 23

ADDING NAILING FLANGES & STANDOFF BRACKETS

3f. Repeat for the other side.

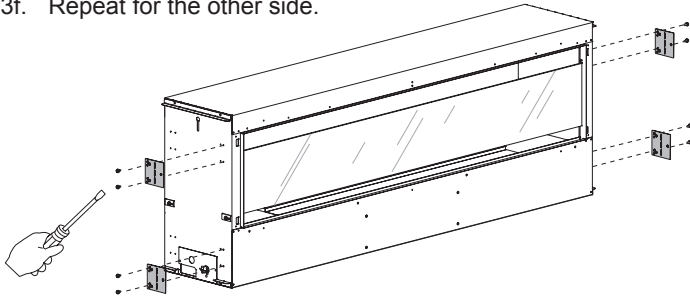


Figure 24 - Option 1

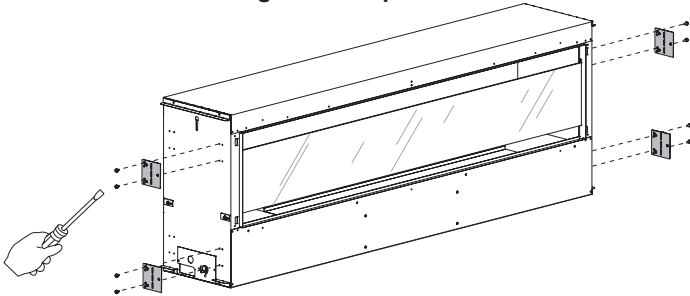


Figure 25 - Option 2

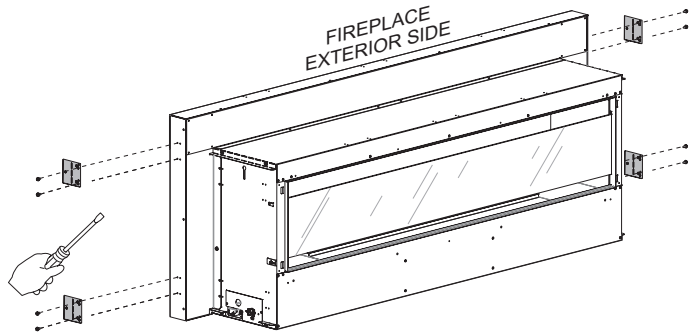


Figure 26 - Option 3



TWO MAN LIFT RULE!

4. Insert fireplace into enclosure.
5. Level fireplace.
6. Bend nailing flanges over side frames and attach.
7. Locate the steel standoff brackets inside the hardware box. See Figure 27.

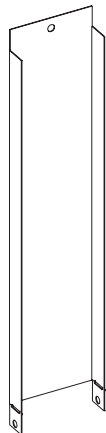


Figure 27

8. The brackets have a perforation at the bottom of each side. Bend them at the perforation. See Figure 28.

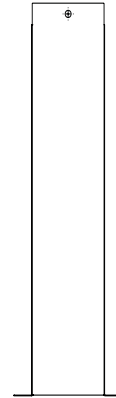


Figure 28

- 9a. **OPTION 1** - Secure the brackets to the fireplace top with screws. There are holes located in the top of the fireplace for each standoff bracket. The holes closer to the front edge of the fireplace are for mounting non-combustible board around the opening. (Finishing Option 1). See Figure 29.

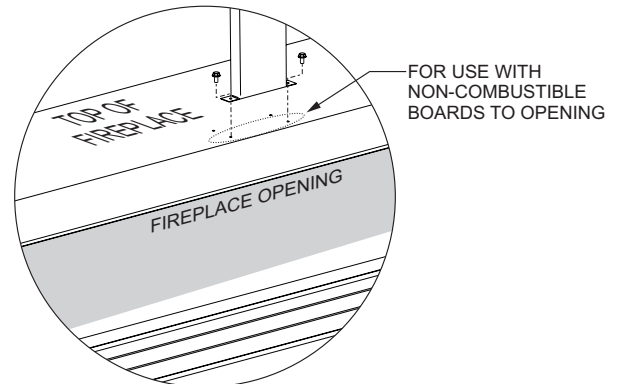


Figure 29 - OPTION 1

- 9b. **OPTION 2** - Secure the brackets to the fireplace top with screws. There are holes located in the top of the fireplace for each standoff bracket. The holes closer to the front edge of the fireplace are for mounting non-combustible board to the top of the fireplace so that tile or stone can cover the face. (Finishing Option 2). See Figure 30.

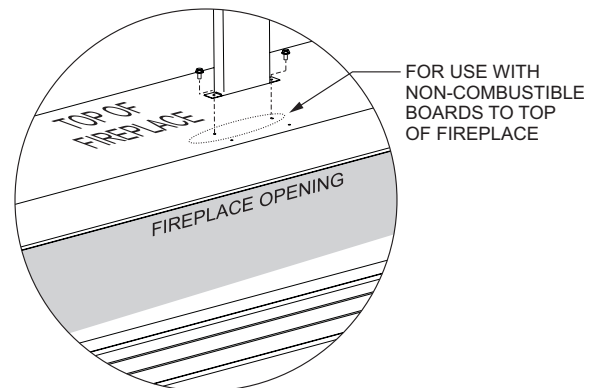


Figure 30 - OPTION 2

CLEAN FACE - NAILING FLANGES & STANDOFF BRACKETS

10a. **OPTION 1** - Secure standoff brackets with drywall screws to the framed opening above the fireplace as shown in **Figure 31**.

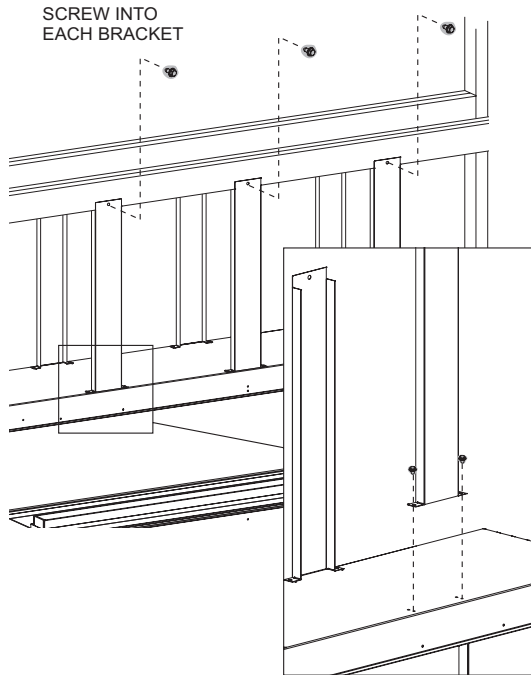


Figure 31 - OPTION 1

10b. **OPTION 2** - Secure 6 standoff brackets with drywall screws to the framed opening above the fireplace as shown in **Figure 32**.

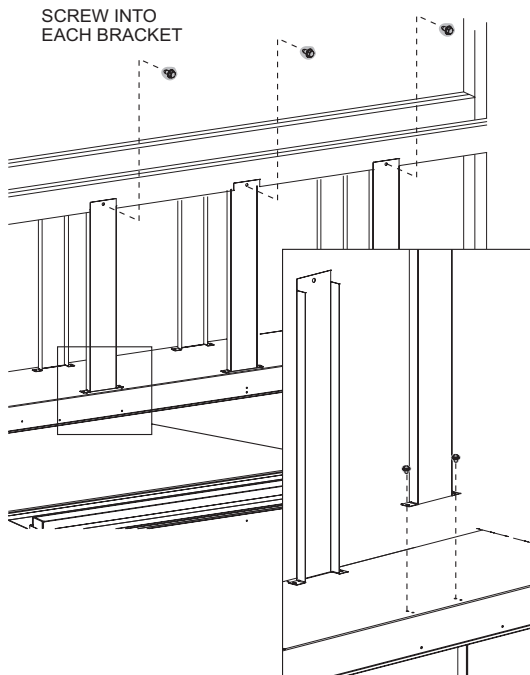


Figure 32 - OPTION 2

UTILITY INSTALLATION

Bring the gas supply through the left side of the fireplace to connect to the burner. See Figures 33 and 34. Consult the current National Fuel Gas Code, ANSI Z223.1 CAN/CGA-B149 (.1 or .2) installation code.

RECOMMENDED GAS PIPE DIAMETER				
Pipe Length (Dimensions in feet)	Schedule 40 Pipe Inside Diameter		Tubing, Type L Outside Diameter	
	(Dimensions in Inches)			
	NAT	LP	NAT	LP
0-10	1/2	3/8	1/2	3/8
11-40	1/2	1/2	5/8	1/2
41-100	1/2	1/2	3/4	1/2
101-150	3/4	1/2	7/8	3/4

CAUTION
Never use plastic pipe. Check to confirm whether your local codes allow copper or galvanized tubing.

NOTICE: Since some municipalities have additional local codes, it is always best to consult your local authority and installation code.

The use of the following gas connectors is recommended:

- ANSI Z21.24 Fireplace Connectors of Corrugated Metal Tubing and Fittings.
- ANSI Z21.45 Assembled Flexible Fireplace Connectors of Other Than All-Metal Construction

The above connectors may be used if acceptable by the authority having jurisdiction. The Commonwealth of Massachusetts requires that a flexible fireplace connector cannot exceed three feet in length.

FLEXIBLE GAS LINE CONNECTION

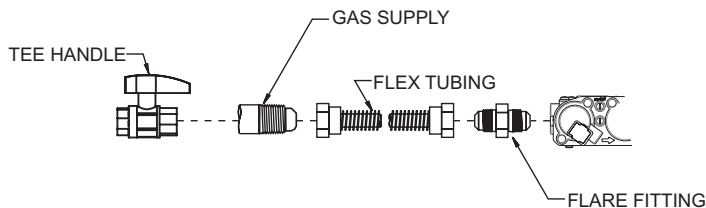


Figure 33

INSTALLING THE MAIN GAS SHUT-OFF

Each fireplace should have its own manual gas shut-off. Locate the manual main gas shut-off in the vicinity of the fireplace easily accessible after assembly. Contact your local authorized installer for installation or relocation when no shutoff exists or the location is not adequate.

Compounds used on threaded joints of gas piping are resistant to the action of liquefied petroleum gases. Gas lines must be checked for leaks by the installer. A leak testing solution or soap should be used for testing leaks on all exposed connections. After testing is complete, all solutions should be cleaned off. On unexposed connections, a pressure test should be made.

Never use an exposed flame to check for leaks. Fireplace must be disconnected from piping at inlet of control valve and pipe capped or plugged for pressure test. Never pressure test with fireplace connected; control valve will sustain damage. When using copper or flex connector use only approved fittings. The fireplace and its individual shut-off valve must be disconnected from supply piping system during any pressure testing of that system at test pressures in excess of 1/2 psig (3.5kPa). The fireplace must be isolated from the gas supply piping system by closing its individual manual shut-off valve during any pressure testing of the gas supply piping system at test pressures equal to or less than 1/2 psig (3.5kPa).

TESTING GAS SUPPLY PRESSURE

NOTICE: The gas controls are equipped with a captured screw-type pressure test point. It is not necessary to provide a 1/8-inch test point up stream of the control.

Natural gas will have a manifold pressure approximately 10.0 inches w.c. at the pressure regulator outlet with the inlet pressure to the pressure regulator from a minimum of 11.0 inches w.c. for the purpose of input adjustment to a maximum of 13.0 inches w.c.

A test gage connection is located on the gas valve for measuring gas pressure. The connections are two contained screws inside tapered hose slip connections.

GAS PRESSURE (Inches Water Column)			
Gas Type	Maximum	Minimum	Manifold
NAT	10.5	7.0	3.5
LP	13.0	11.0	10.0

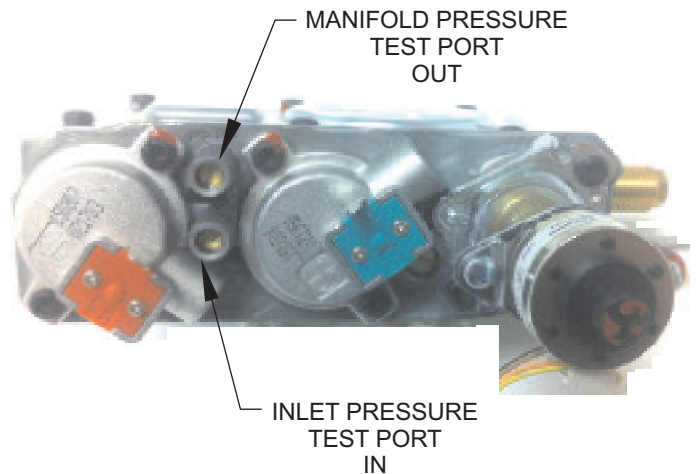


Figure 34

WARNING
If one of the procedures results in pressures in excess of 1/2 psig (14 inches w.c.) (3.5 kPa) on the fireplace gas valve, it will result in a hazardous condition.

UTILITY INSTALLATION (CONT'D)

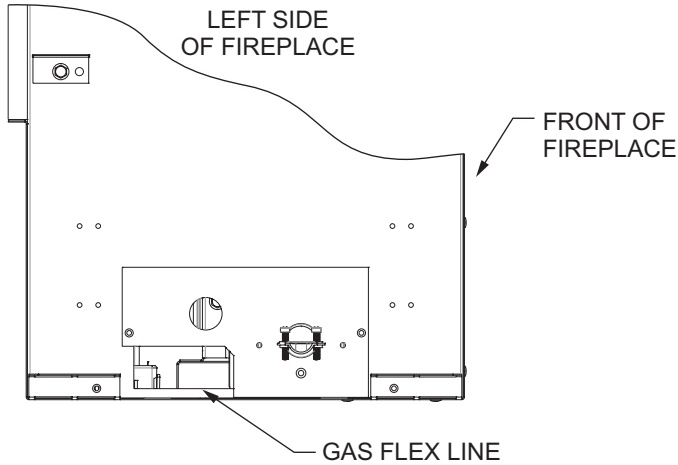


Figure 35

Shut-off valve must be accessible after installation.

A gas valve and ground joint union should be installed in the gas line upstream of the gas control to aid in servicing. The National Fuel Gas Code requires that a drip leg be installed near the gas inlet. **See Figure 36.** This should consist of a vertical length of pipe tee connected into the gas line that is capped on the bottom in which condensation and foreign particles may collect.

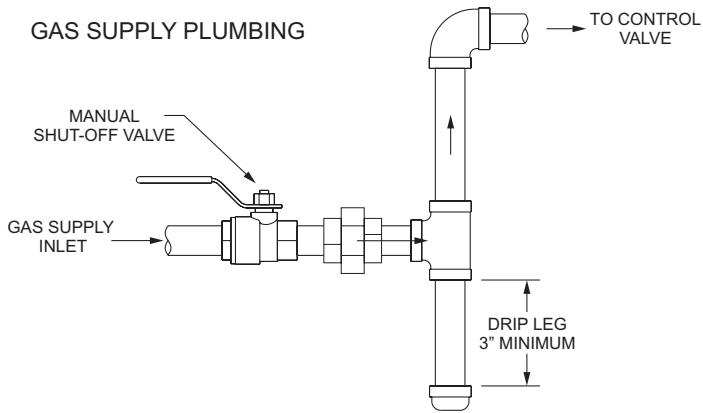


Figure 36

Empire recommends using a flange and key shutoff valve.

UTILITY INSTALLATION (CONT'D)

JUNCTION BOX WIRING INSTALLATION

A factory-installed junction box is located at the lower left corner inside the firebox. For 120V electrical requirements install the electrical receptacles into the junction box.

1. Remove burner box from fireplace. **See Figure 37.**

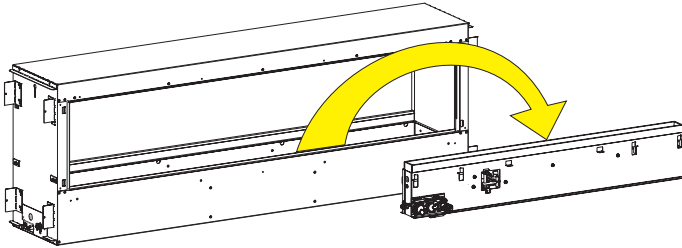


Figure 37

All wiring must be done by a qualified electrician and shall be in compliance with all local, city and state building codes. Before making the electrical connection, make sure the main power supply is disconnected. The fireplace, when installed, must be electrically grounded in accordance with local codes or, in the absence of local codes, with the National Electrical Code ANSI/NFPA 70 (latest edition).

NOTICE: Observe orientation of snap-in plug.

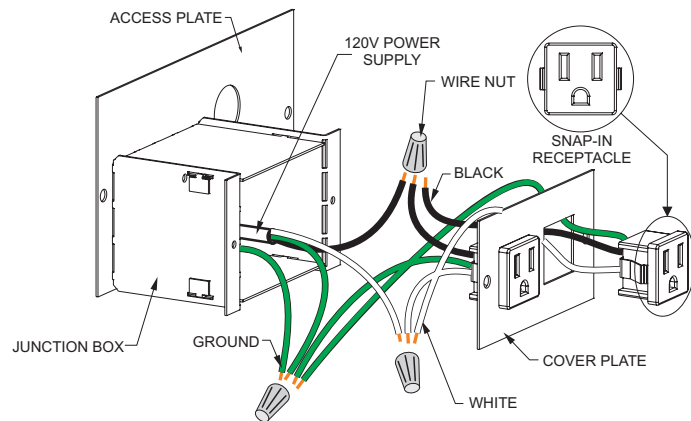


Figure 38

2. Remove the electrical access cover panel from the left end of the fireplace. **See Figure 39.**

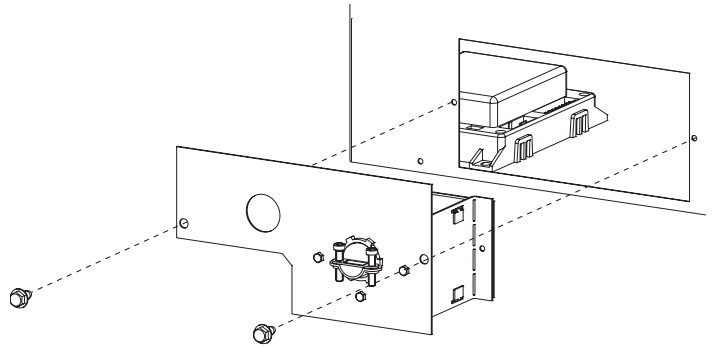


Figure 39

3. Snap in the receptacles to the cover plate as shown in **Figure 38.**
4. Run 14/2 NM-B with ground or 12/2 NM-B with ground wire through the electrical access panel into the Junction box. Secure wiring with the wire connector as required and install the two receptacles as shown in **Figure 38.** Attach the black wires with a wire nut, and the white wires with a wire nut. Secure the incoming ground wire and green receptacle ground wires under the green ground screw provided in the junction box. Install the Junction box cover.
5. Re-install the junction box into the firebox using the screws removed in step 2. **See Figure 39.**
6. Connect flexline in burner box to inlet gas line.
7. Re-install burner box with screws removed earlier.
8. Check gas lines for leaks.
9. Plug AC adapter and LED transformer to junction box.

UTILITY INSTALLATION (CONT'D)

10. Install the wall-mounted control box within 6 feet to the right side or 4 feet from the left. See Figure 40.

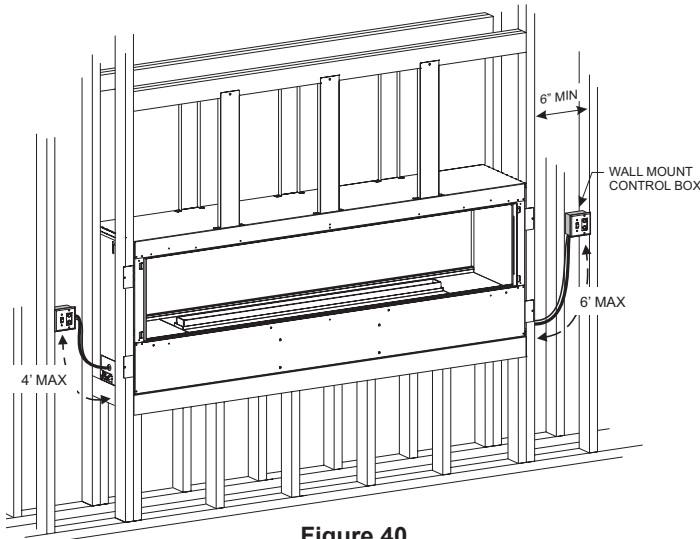


Figure 40

11. Install the provided plastic bushing in the opening where the wires exit the fireplace. See Figure 41 (left side), or Figure 42 (right side).

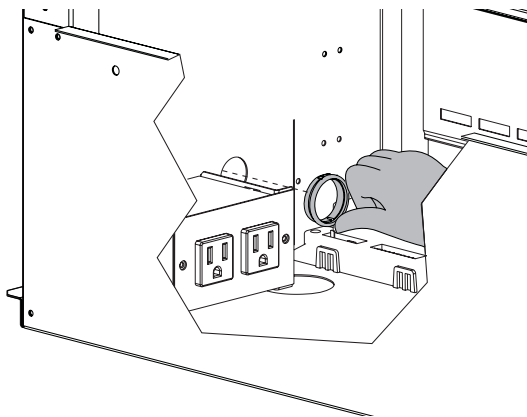


Figure 41

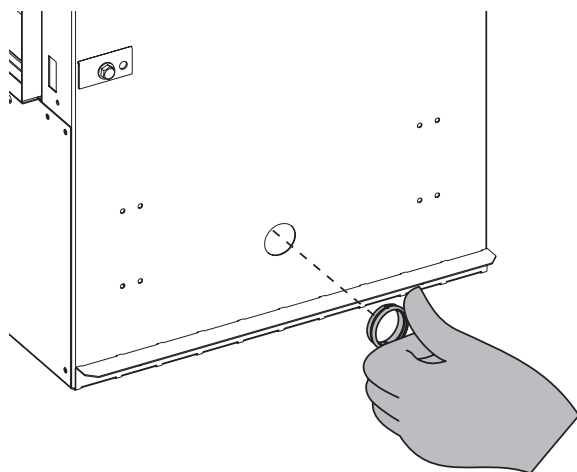


Figure 42

12. Route the yellow LED wire harness with a gray remote receiver harness through the bushing. Mount the controls and connect the wiring. See Figure 43.

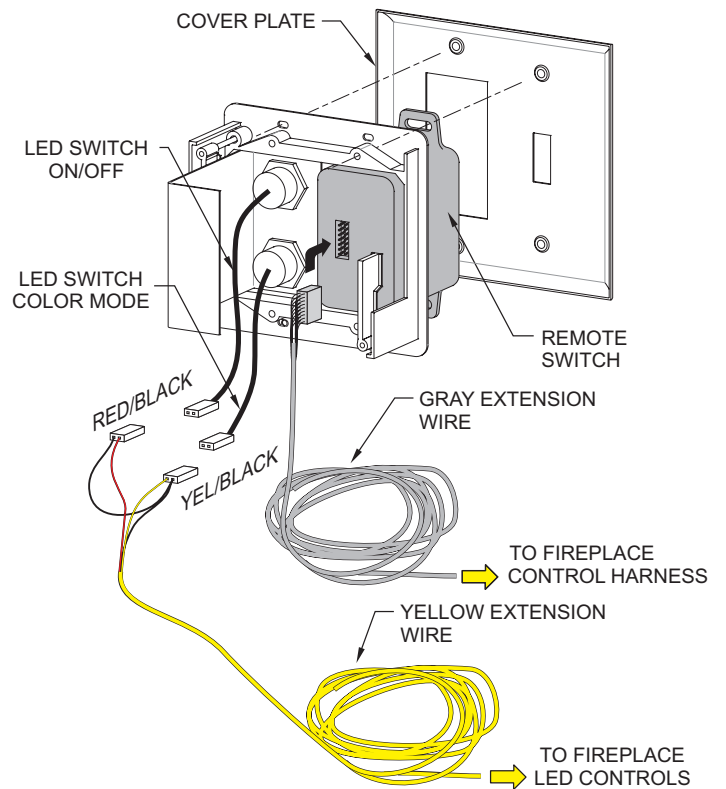


Figure 43

13. Place batteries in remote receiver and in the remote control using instructions provided. Place the switch slider to the remote switch.
14. Set the remote switch in wall box to remote. (center position) See Figure 44.

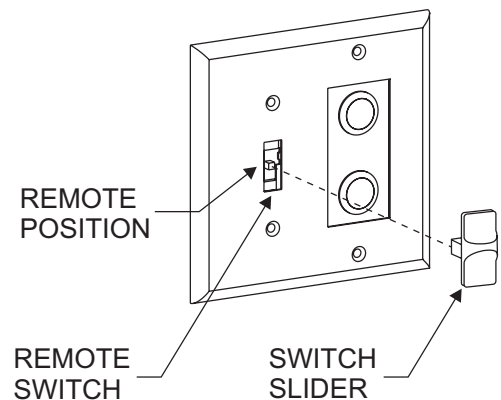


Figure 44

15. Verify remote is communicating with receiver. (See Proflame control system page 41).

UTILITY INSTALLATION (CONT'D)

16. Set IPI/CPI switch located under the burner box on the left side below the valve. **See Figure 45.**

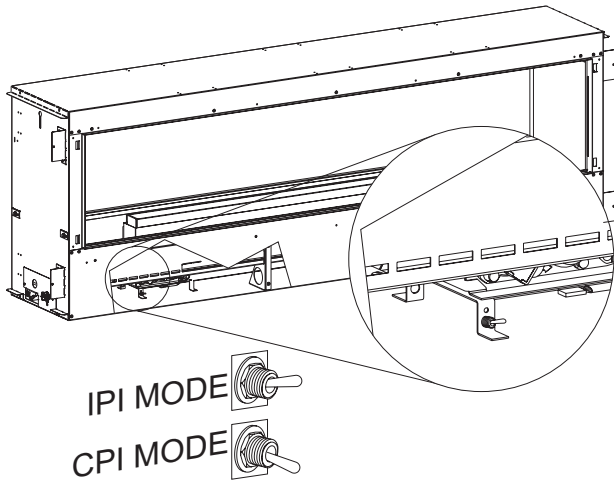


Figure 45

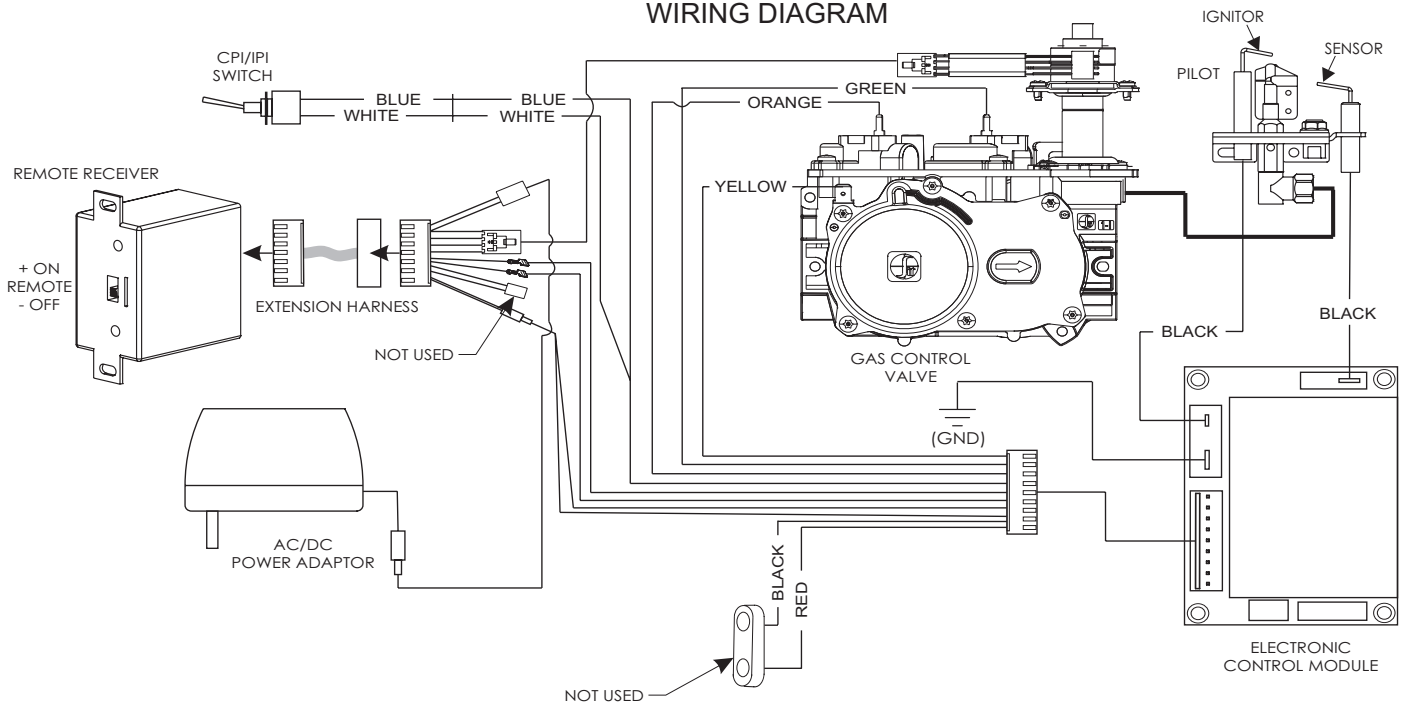
The electronic control valve system includes the ability to switch the pilot from a standing pilot mode to an intermittent pilot mode.

- **IPI Mode** - In the Intermittent Pilot Mode, when the fireplace is turned ON, it will cause spark to the pilot. Light the pilot, then allow the burner to light. When the fireplace is turned to OFF, both the burner and pilot will be OFF.
- **CPI Mode** - In the Continuous Pilot Mode, the pilot remains ON continuously even when the burner is turned OFF.

17. Test LEDs.
18. Test burner for ignition. See lighting instructions on page 37.

UTILITY INSTALLATION (CONT'D)

WIRING DIAGRAM



Replace any damaged wiring with original wiring supplied by Empire Comfort Systems.

⚠ CAUTION

Label all wires prior to disconnection when servicing controls. Wiring errors can cause improper and dangerous operation.

Verify proper operation after servicing.

The wire terminals shown in **Figure 46** are not connected.



Figure 46

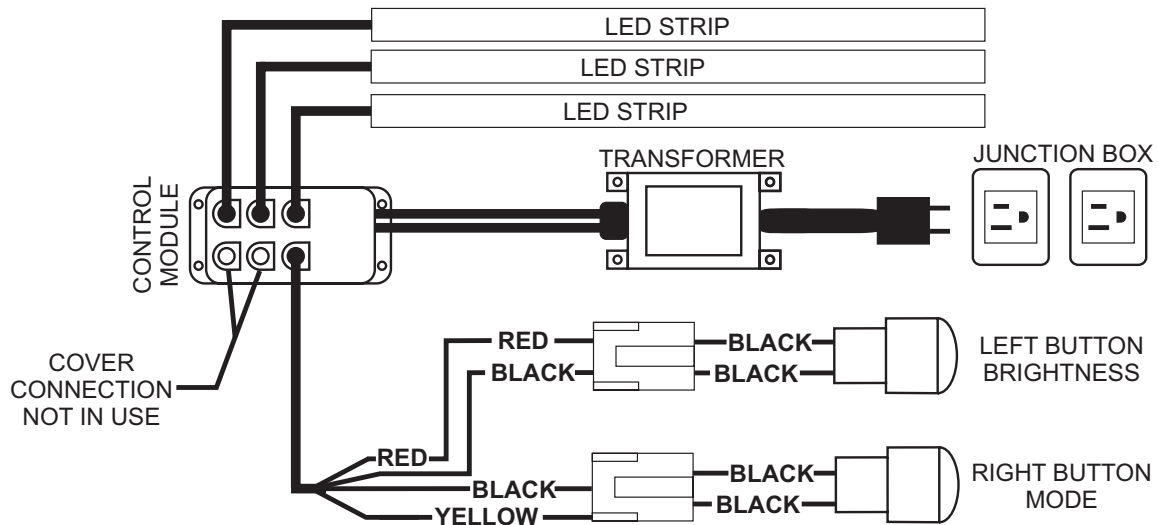


Figure 47

INSTALLATION OPTION 1 - CLEAN FACE

NOTICE:

The steps on pages 29, 30 and 31 are for installation OPTION 1 - Clean Face.

This type of installation will allow for finishing around the fireplace face with high-temperature paint.

See pages 32, 33 and 34 for installing the fireplace for installation OPTION 2 - Flush Mount.

See pages 36 - 37 for installing OPTION 3 - Exterior Decorative Front.

OPTION 1 - CLEAN FACE (NON-COMBUSTIBLE BOARD INSTALLATION)

NOTICE: If installing a decorative front, an offset between the finishing materials and fireplace opening is required. Refer to the installation instructions provided with the decorative front before framing the opening.

- For installation of the DFL601BL-1 and DFL602BL kits, 1/2 inch unfinished space is required on both sides of the fireplace.

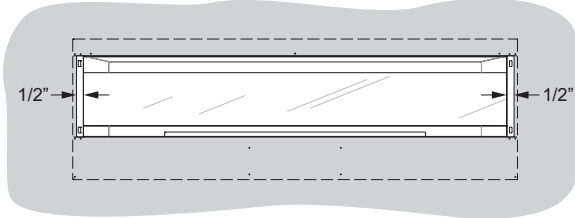


Figure 48

- For installation of the DFL602NB kit, 7/8-inch unfinished space is required on all four sides of the fireplace opening.

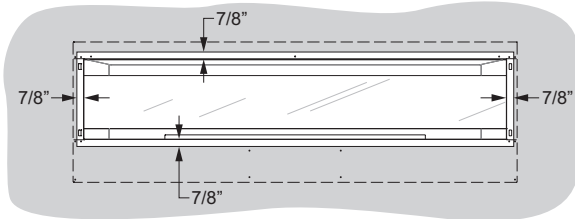


Figure 49

- Screws are allowed in framing and top mounting brackets. No screws are allowed into the fireplace. **See Figure 50.**

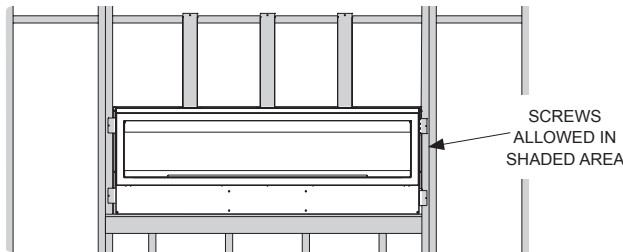


Figure 50

- Place upper non-combustible board above fireplace opening to required height, and secure with screws in approved area,
- Place side non-combustible boards to the side of each opening to required gap and secure with screws in approved area.

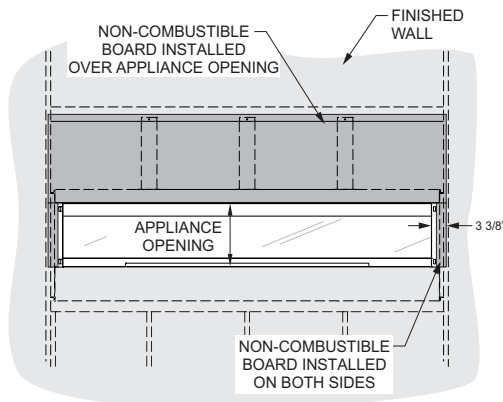


Figure 51

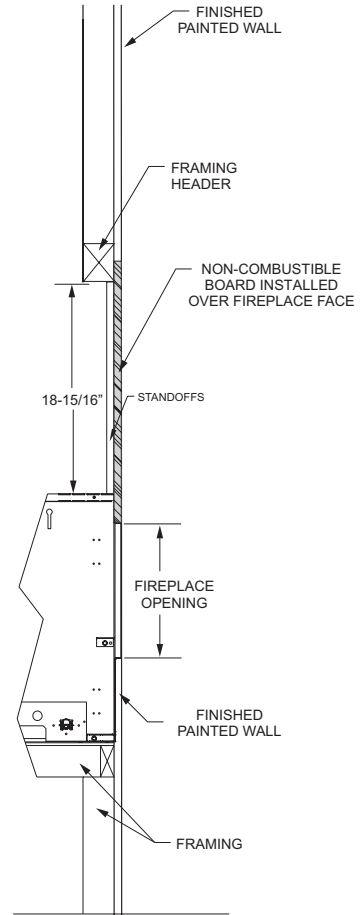


Figure 52

NOTICE: Standoffs and non-combustible board shown for reference.

OPTION 1 - CLEAN FACE (NON-COMBUSTIBLE BOARD INSTALLATION)

4. Install non-combustible board provided with the fireplace.
See Figure 51.
 - Do not attach non-combustible board to the fireplace. Attach non-combustible board only to framing and standoffs.
 - Space non-combustible board 1/16 inch off of fireplace opening flanges to allow for expansion during operation.
 - Predrill holes into non-combustible board and counter-sink.
 - For best results treat non-combustible board and area around the board with Kilz primer prior to applying adhesive or sealing compound.
 - Apply adhesive in joints between non-combustible board panels.
 - Use only high-temperature adhesive and high-temperature paints rated for minimum 300° F with the non-combustible board.
5. Finish Wall.
 - Use woven fiberglass joint tape and Durabond 45 joint compound for best results when finishing non-combustible panel and drywall joints around fireplace.
 - Tile or non-combustible materials can be applied on top of the non-combustible board and finished wall as their instructions require.

NOTICE FOR FINISHING MATERIALS

The wall above the fireplace will become hot. Install the non-combustible board supplied with the fireplace before adding paint, tile or stone. Attach tile or other non-combustible products to the fireplace face and to the non-combustible area using adhesives designed for high-temperature applications. Follow the manufacturer's instructions for application and curing times. Heat from the fireplace may cause incorrectly installed materials to fail. If you are painting above the fireplace, use a coating designed for high temperature environments and follow the manufacturer's instructions for surface preparation, application and curing. Heat from the fireplace may cause incorrectly applied coatings to fail or discolor.

CAUTION

Failure to use a 300°F minimum adhesive may allow the finishing material to fall.

INSTALLATION OPTION 2 - FLUSH MOUNT

NOTICE:

The steps on pages 32, 33, and 34 are for installation OPTION 2 - Flush Mount.

This type of installation will allow for applying tile, marble, stone or other non-combustible materials over the face of the fireplace cabinet up to the flange opening.

See pages 29, 30 and 31 for installation OPTION 1 - Clean Face.

See pages 36 - 37 for installing OPTION 3 - Exterior Decorative Front.

OPTION 2 - FLUSH FACE (NON-COMBUSTIBLE BOARD INSTALLATION)

NOTICE: If installing a decorative front, an offset between the finishing materials and fireplace opening is required. Refer to the installation instructions provided with the decorative front before framing the opening.

- For installation of the DFL601BL-1 and DFL602BL kits, 1/2-inch unfinished space is required on both sides of the fireplace.

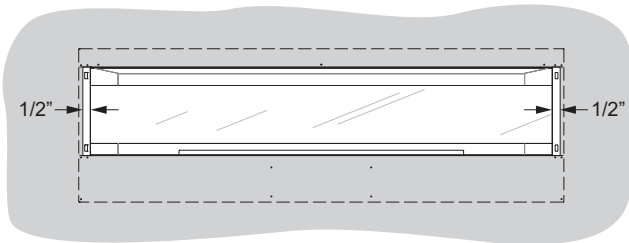


Figure 53

- For installation of the DFL602NB kit, 7/8 inch unfinished space is required on all four sides of the fireplace opening.

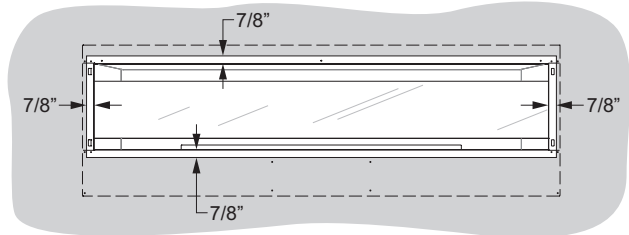


Figure 54

- Screws are allowed in framing and top mounting brackets. No screws are allowed into the fireplace face. **See Figure 55.**

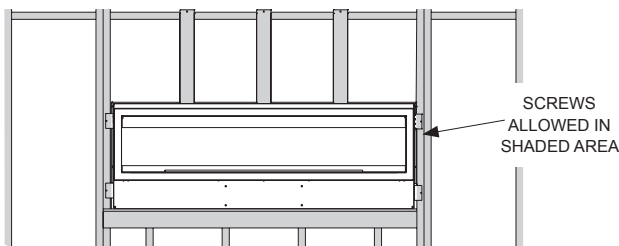


Figure 55

- Place the non-combustible board above fireplace opening to required height, and secure with screws in approved area,
- Side non-combustible boards not used in this application.

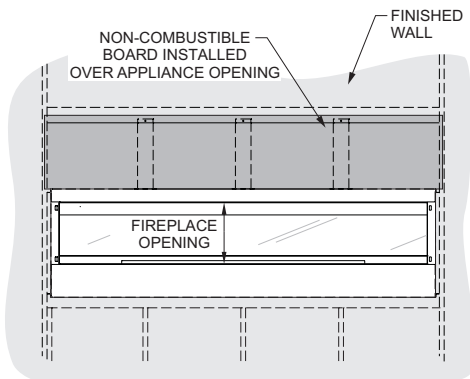


Figure 56

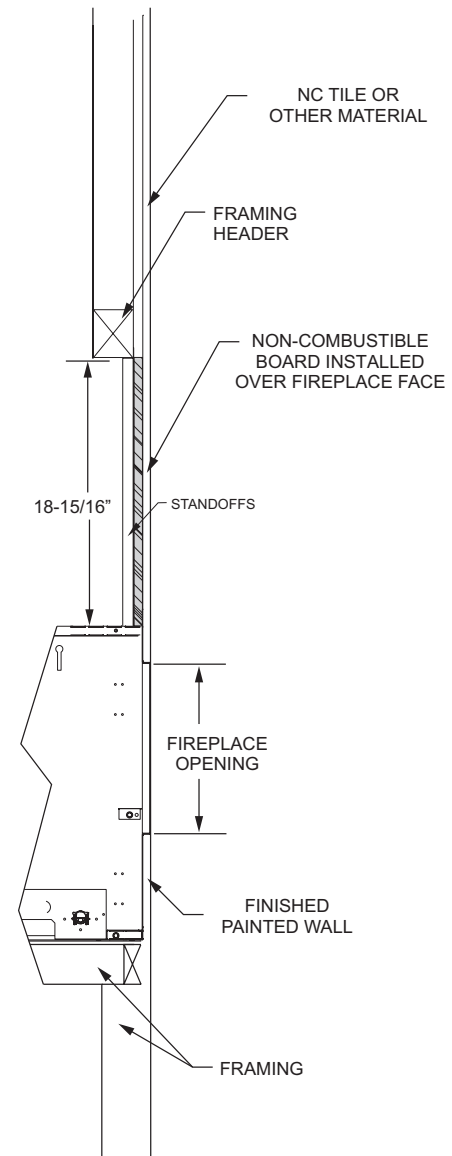


Figure 57

NOTICE: Standoffs and non-combustible board shown for reference.

OPTION 2 - FLUSH FACE (NON-COMBUSTIBLE BOARD INSTALLATION)

4. Install non-combustible board provided with the fireplace.
See Figure 56.
 - Do not attach non-combustible board to the fireplace face. Attach non-combustible board only to the framing and standoffs.
 - Space non-combustible board 1/16 inch off of fireplace opening flanges to allow for expansion during operation.
 - Predrill holes into non-combustible board and counter-sink.
 - For best results treat non-combustible board and area around the board with Kilz primer prior to applying adhesive or sealing compound.
 - Apply adhesive in joints between non-combustible board panels.
 - Use only high-temperature adhesive and high-temperature paints rated for minimum 300° F with the non-combustible board.
5. Finish Wall.
 - Use woven fiberglass joint tape and Durabond 45 joint compound for best results when finishing non-combustible panel and drywall joints around fireplace.
 - Tile or non-combustible materials can be applied on top of the non-combustible board and finished wall as their instructions require.

NOTICE FOR FINISHING MATERIALS

The wall above the fireplace will become hot. Install the non-combustible board supplied with the fireplace before adding paint, tile or stone. Attach tile or other non-combustible products to the fireplace face and to the non-combustible area using adhesives designed for high-temperature applications. Follow the manufacturer's instructions for application and curing times. Heat from the fireplace may cause incorrectly installed materials to fail. If you are painting above the fireplace, use a coating designed for high temperature environments and follow the manufacturer's instructions for surface preparation, application and curing. Heat from the fireplace may cause incorrectly applied coatings to fail or discolor.

CAUTION

Failure to use a 300°F minimum adhesive may allow the finishing material to fall.

INSTALLATION OPTION 3 (FINISHING EXTERIOR DECORATIVE FRONT)

NOTICE: The fireplace must be protected during finishing. Do not allow acid wash to get onto the fireplace.

1. The stainless may be covered in full or in part by a non-combustible stone, tile or other finishing material. It is recommended that the outer perimeter face of the outdoor kit be covered with non-combustible finishing material. See Figure 58.

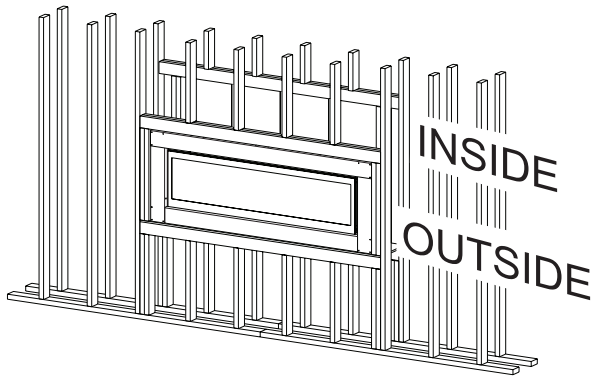


Figure 58

2. Sheathing and framing may be placed to the stainless top, bottom and side surfaces. The back side of the outdoor kit and the top surface of the fireplace are non-combustible zones. See Figure 59.

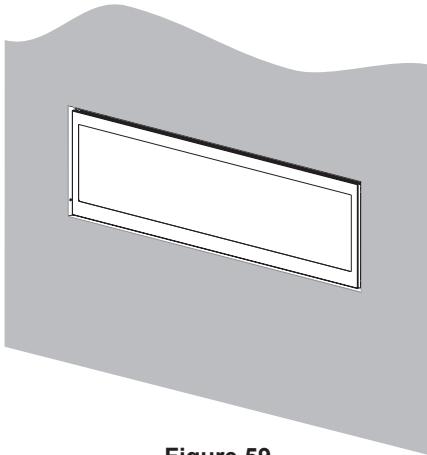


Figure 59

- 3a. Figure 60 shows minimum recommended coverage over the face of the outdoor kit. This covers rivets exposed on the outside of the fireplace. The non-combustible facing may be placed to the opening. See Figure 60.

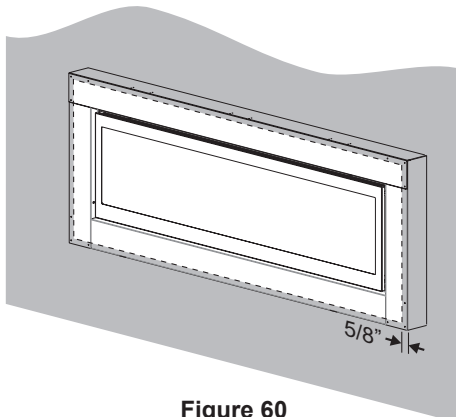


Figure 60

- 3b. Exterior non-combustible finishing material is placed over the face of the outdoor kit. See Figure 61.

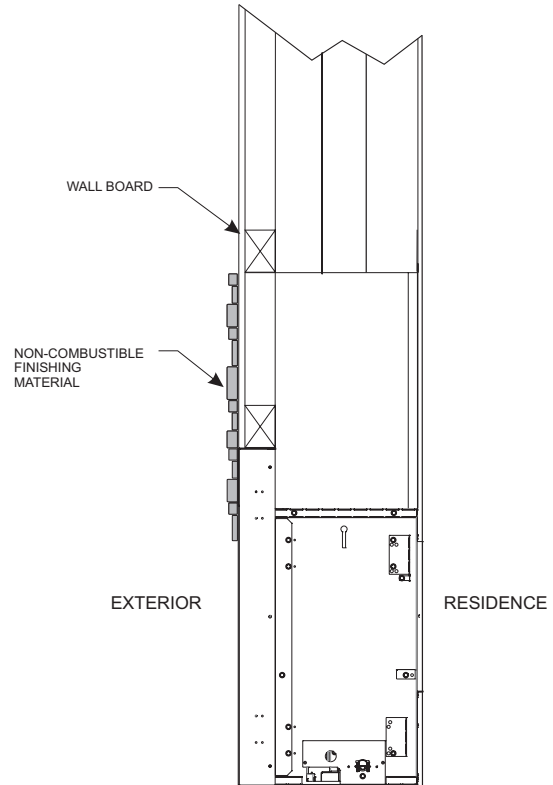


Figure 61

4. Insert the screen assembly into the top of the outer glass frame. Bring the bottom of the screen assembly against the face. Lower the screen assembly to catch the lip of the flange at the bottom of the glass. See Figure 62.

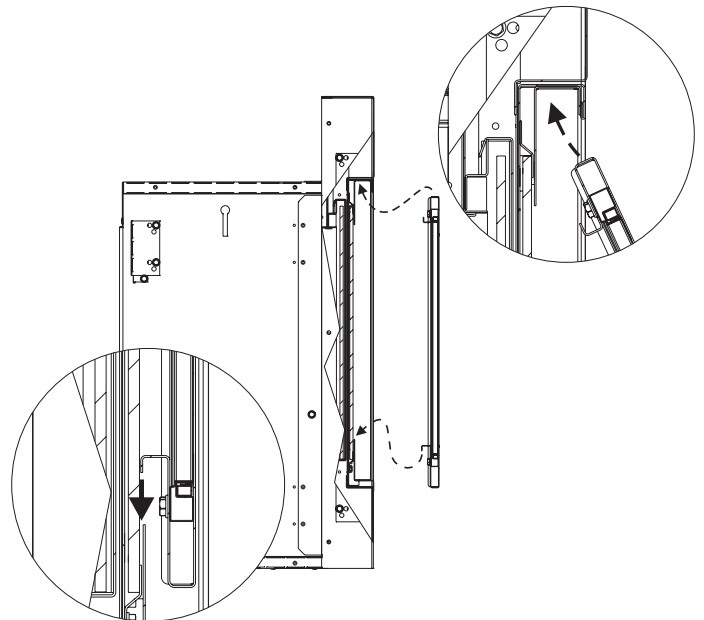


Figure 62

DECORATIVE GLASS INSTALLATION

⚠ WARNING

Failure to position the parts in accordance with the diagrams and instructions below or failure to use only parts specifically approved for use with this fireplace may result in property damage or personal injury.

NOTICE: During setup the burner may be operated with or without the Decorative accessory options.

NOTICE: VFLL60SP will accept 4 square feet of Decorative Glass.

DECORATIVE GLASS AND ROCKS ACCESSORY PLACEMENT

⚠ WARNING

Crushed glass must not be more than a single layer. Do not use more glass than recommended. Using excess glass may cause injury or property damage.

⚠ WARNING

Use only decorative rocks and glass designed for use in a fireplace. Using other materials may cause a situation where injury or property damage may occur.

⚠ WARNING

Never place media materials on or next to the burner.

The Decorative Glass options are available in various colors and package sizes. Choose the size appropriate for your fireplace. See list on page 9.

⚠ CAUTION

To prevent injury, use gloves and eye protection while applying the decorative glass or droplets.

Application of the Decorative Glass or Rocks should only be performed after the burner has been fully installed, secured and tested for leaks.

1. Apply the crushed glass to the shaded area only. **See Figure 63.** Use enough to cover the area of the fireplace, but do not allow the media to reach higher than the flange surrounding the burner. Never place decorative media inside the flange surrounding the burner itself.

This fireplace uses crushed glass. Accent glass droplets (1/2 inch) or glass drops (1 inch), and ceramic fiber rocks and pebbles may be added. Mix colors and glass types, but do not exceed the recommended amount of decorative media.

⚠ CAUTION

Glass or rocks must not be placed around the ends or over the front edge of the burner assembly. Do not restrict air flow.

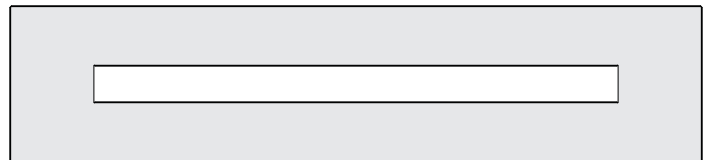


Figure 63

QUANTITY OF GLASS

Model	Amount
VFLL60SP	4 square feet

DECORATIVE GLASS INSTALLATION (CONT'D)

2. Replace the glass front into the fireplace by placing the right side into the slots in the firebox. Carefully angle in the left side of the glass and then slide the glass to the left. Settle the glass into the slots by gently lowering it.
See Figures 64 - 67.

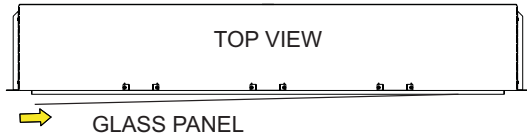


Figure 64

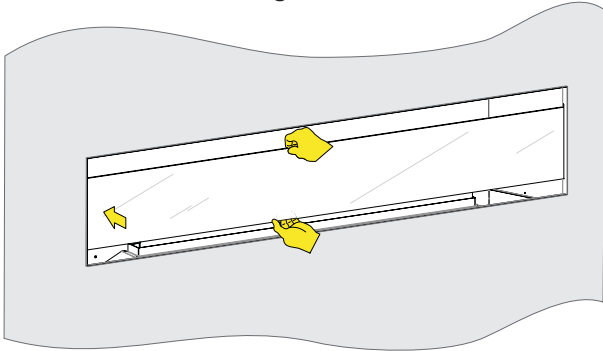


Figure 65

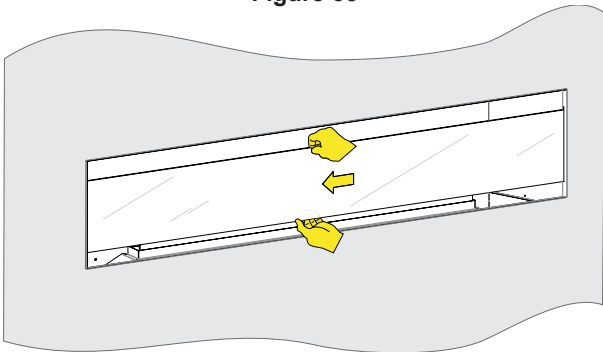


Figure 66

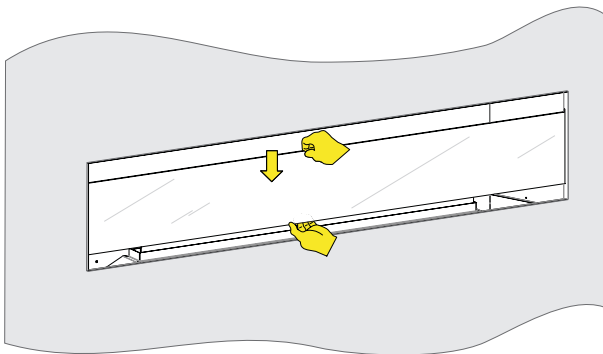


Figure 67

LIGHTING INSTRUCTIONS


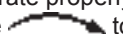
FOR YOUR SAFETY READ BEFORE LIGHTING

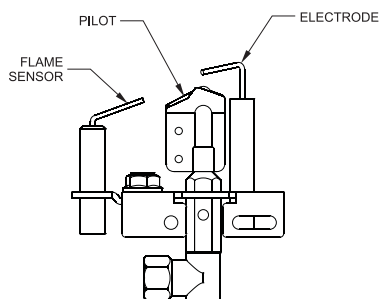
⚠ WARNING

If you do not follow these instructions exactly, a fire or explosion may result causing property damage, personal injury or loss of life.

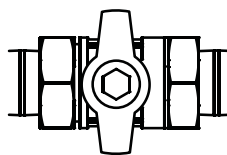
- A. This appliance has a pilot which can be lit by hand or by switching the remote receiver switch to the "ON" position. When lighting the pilot, follow these instructions exactly.
- B. Before lighting smell all around the appliance area for gas. Be sure to smell next to the floor because some gas is heavier than air and will settle on the floor.
- What To Do If You Smell Gas
- Do not try to light any appliance.
 - Do not touch any electrical switch;
 - Do not use any phone in your building.
 - Immediately call your gas supplier from a neighbor's phone. Follow the gas supplier's instructions.
 - If you cannot reach your gas supplier, call the fire department.
- C. If applicable, use only your hand to turn the gas shutoff valve handle. Never use tools. If the handle will not turn by hand, don't try to repair it; call a qualified service technician. Force or attempted repair may result in a fire or explosion.
- D. Do not use this appliance if any part has been under water. Immediately call a qualified service technician to inspect the appliance and to replace any part of the control system and any gas control which has been under water.

LIGHTING INSTRUCTIONS

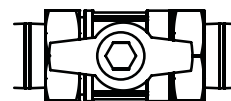
1. STOP! Read the safety information above.
2. Turn OFF electric power to the appliance.
3. Turn gas shutoff valve counterclockwise  to On position.
4. Wait ten (10) minutes to clear out any gas. Then smell for gas, including near the floor. If you smell gas, STOP! Follow B in the safety information above on this page. If you do not smell gas, go to the next step.
5. Turn ON electric power to the appliance.
6. Find pilot. The pilot is next to the burner.
7. Turn main flame to on. If the pilot does not light within 60 seconds, stop and go to Step 5.
8. Refer to remote control instructions for detailed information, control features, and operation. **NOTICE:** There is a CPI/ IPI switch for a continuous standing pilot mode or an intermittent pilot mode. See appliance manual for location of this switch. If the pilot or burner does not stay lit (in the standing pilot mode), stop and immediately call a qualified service technician or gas supplier.
9. If the burner or pilot does not operate properly after several tries, turn the gas valve clockwise  to OFF and call your service technician or gas supplier.
10. Operation of the gas valve is controlled by a manual on/off switch or a hand held remote control. Refer to remote instructions for detailed operation information.



GAS SHUTOFF VALVE




OFF



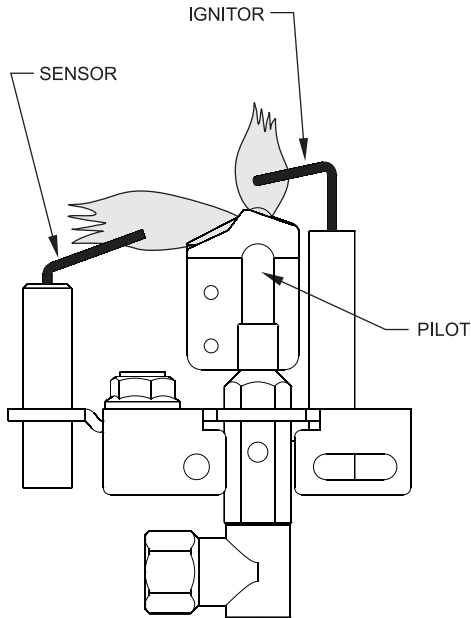
ON

TO TURN OFF GAS TO FIREPLACE

1. Set REMOTE/OFF/ON switch to OFF.
2. Turn off all electric power to the appliance if service is to be performed (if applicable).
3. Turn gas shutoff clockwise  to OFF. Do not force.

PILOT FLAME CHARACTERISTICS

Figure 68 shows a correct pilot flame pattern. The correct flame will be blue and will extend beyond the flame sensor. The flame will surround the flame sensor just below the tip. A slight yellow flame may occur where the pilot flame and main burner flame meet. **Figure 69** shows an incorrect pilot flame pattern. The incorrect pilot flame is not touching the flame sensor. This will cause the flame sensor to cool. When the flame sensor cools, the fireplace will shut down.

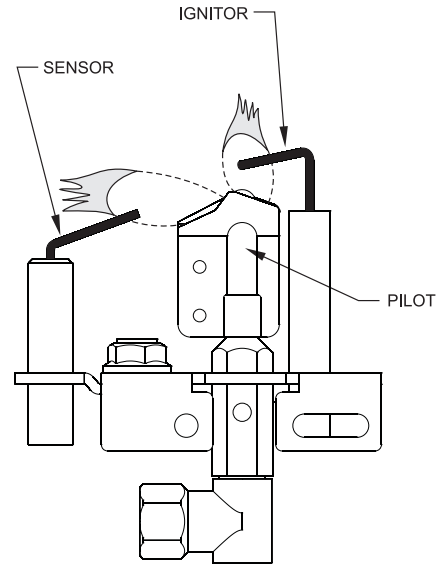


Correct Pilot Flame Pattern - **Figure 68**

Flames from the pilot (front center of burner) as well as the main flame should be visually checked as the fireplace is installed.

In normal operation at full rate after 10 to 15 minutes, the flame appearance should be sets of yellow flames.

NOTICE: All flames will be random by design, flame height will go up and down.



Incorrect Pilot Flame Pattern - **Figure 69**

If pilot flame pattern is incorrect, as shown in **Figure 69**:

- See IP Troubleshooting, pages 42 - 44.

PROFLAME - IP CONTROL SYSTEM

TECHNICAL DATA	
Remote Control	
Supply voltage	4.5 V (three 1.5 V AAA batteries)
Ambient temperature ratings	0-50°C (32 - 122°F)
Radio frequency	315 MHz

RECEIVER	
Supply voltage	6.0 V (four 1.5 V AA batteries)
Ambient temperature ratings	0-60°C (32 - 140°F)
Radio frequency	315MHz

⚠ WARNING

The transmitter and receiver are radio frequency devices. Placing the receiver in or near metal may severely reduce the signal range.

ATTENTION

- Turn off the main gas supply of the fireplace during installation or maintenance of the receiver.
- Place the receiver's 3-position slider switch in the off (down) position during installation or maintenance.
- Turn off main gas supply to the fireplace prior to removing or reinserting the batteries in the receiver.

TRANSMITTER (REMOTE CONTROL WITH LCD DISPLAY)

The Proflame Transmitter uses a streamline design with a simple button layout and informative LCD display. See Figure 62. The Transmitter is powered by 3 AAA type batteries. A Mode Button is provided to Index between the features and a Thermostat Button is used to turn on/off or index through thermostat functions. See Figures 62 and 63.

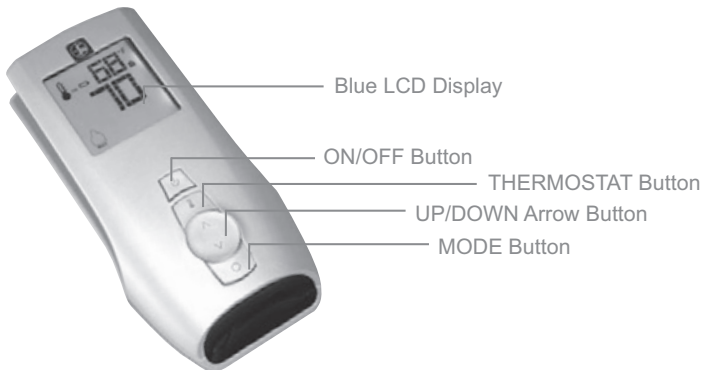


Figure 62 - Proflame Transmitter

The receiver may need to learn the transmitter. Press "learn" button on the remote receiver followed by the power ON/OFF button on the transmitter. A series of beeps will signal communication has been made.

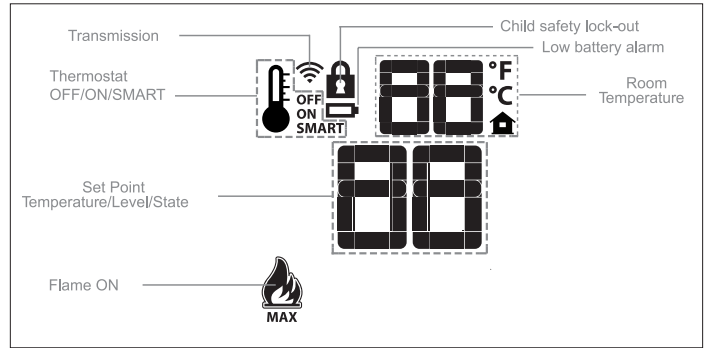


Figure 63 - Transmitter LCD display

RECEIVER

The Proflame Receiver (Figures 64 and 65) connects directly to the gas valve and stepper motor with a wiring harness. The Receiver is powered by 4 AA type batteries. The Receiver accepts commands via radio frequency from the Transmitter to operate the fireplace in accordance with the particular Proflame system configuration. The Receiver three position slider switch can be set to one of three positions: Up for ON (Manual Override), middle for Remote (Remote control) or down for OFF.

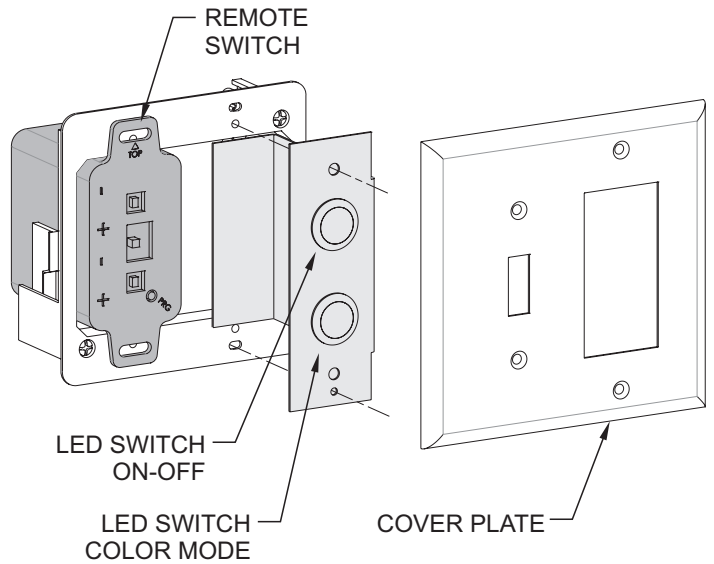


Figure 64 - Proflame Receiver Body Front

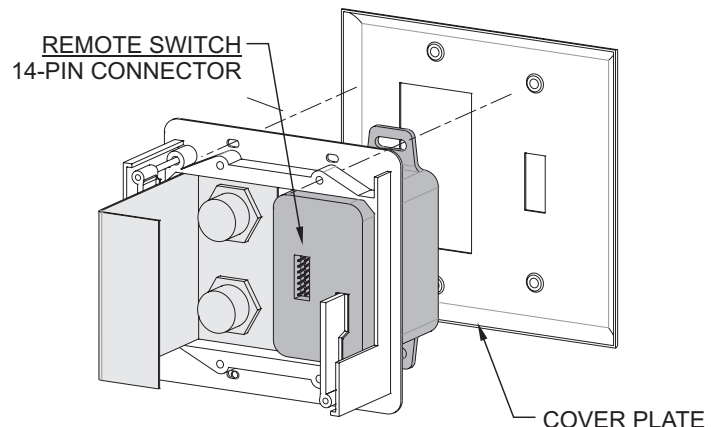


Figure 65 - Proflame Receiver Body Back

TROUBLESHOOTING

BRIEF DESCRIPTION OF THE COMPONENTS

The Digital Fireplace Control (DFC) is an automatic gas ignition system based on a single micro-controller core. This control manages all functions related to ignition, flame sensing and supervision for atmospheric applications.

The DFC can be set to provide continuous or intermittent ignition control sequences and flame monitoring with safety shutdown in case of failure.

The DFC is set up as a stand alone (AC powered system with battery back up). See IP Lighting Instructions on page 38 and Wiring Diagram on page 28.

TROUBLESHOOTING

Before proceeding with the procedures in the following troubleshooting table, verify that the power supply (AC/DC adapter) is present and that the batteries inside the remote switch and remote control are fresh and installed with correct polarity. Make sure all the connections between the wire harnesses and system components are proper and positive.

Verify that the static inlet pressure meets the manufacturer's recommended inlet pressure. If necessary adjust the line pressure regulator.

If the recommended actions for the following troubleshooting chart do not help to address the problem consider replacing wiring harnesses.

WARNING

Any actions performed on the gas valve must be performed in accordance with this instruction manual. Likewise, any actions performed on the DFC or other system components must be done in accordance with the individual component instructions. Replacement of components must be performed in accordance with this instructions manual.

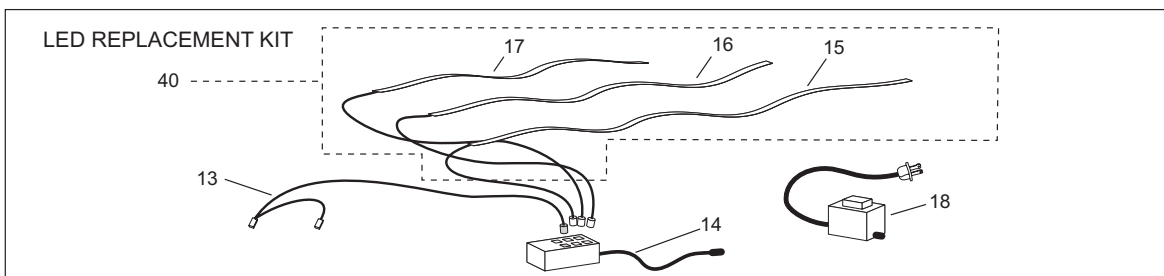
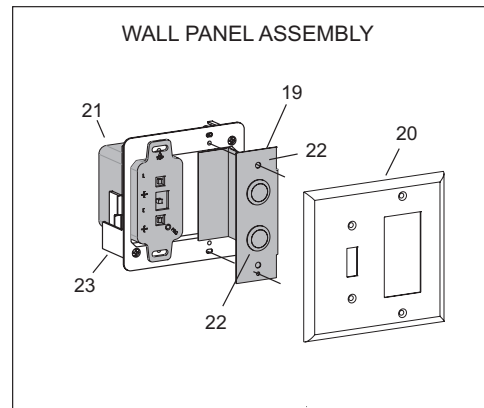
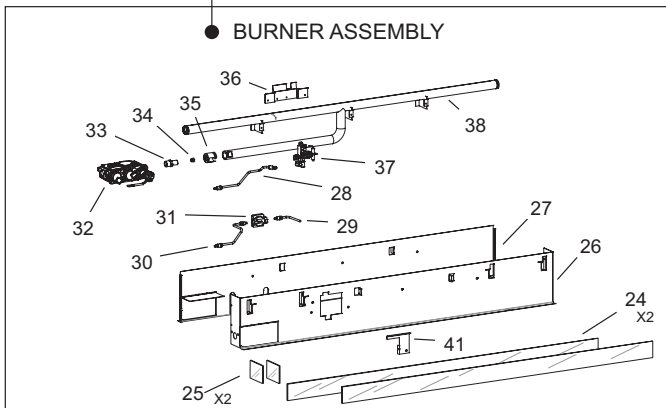
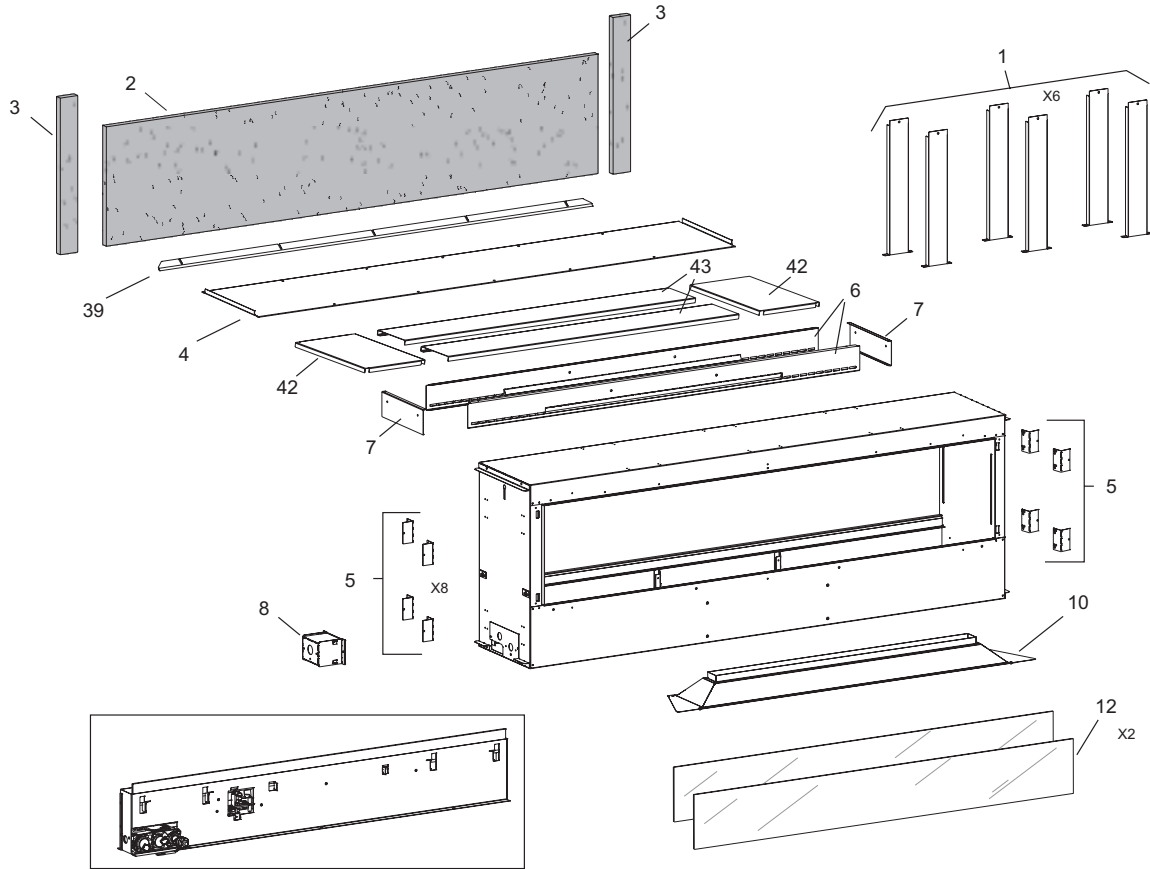
TROUBLESHOOTING (CONT'D)

PROBLEM OBSERVED	POSSIBLE CAUSE	CORRECTIVE MEASURE
Gas odor during setup	Gas Leak	What To Do If You Smell Gas Do not try to light any appliance. Do not touch any electrical switch; Do not use any phone in your building. Immediately call your gas supplier from a neighbor's phone. Follow the gas supplier's instructions. If you cannot reach your gas supplier, call the fire department.
Gas odor before first ignition	Gas Leak	
Fireplace is on but no flame and pilot is not trying to light	Gas Line Valve turned off	Turn shutoff valve to open position
	Control module in lockout	Turn power to fireplace off and then back on
Pilot continues to spark when pilot is lit.	Not enough gas to pilot	Wait for pilot flame to strengthen
	Low Gas Pressure	Check pressures. See page 25.
	Pilot igniter/sensor is dirty	Clean pilot. See maintenance homeowner manual.
	Pilot not grounded well	Check ground connections
	Draft in firebox	Redirect draft from room or wall
	Pilot sensor has been bent	Replace pilot
Pilot will not ignite, or will not stay lit	Pilot igniter/sensor is dirty	Clean flame sensor and pilot igniter. See maintenance homeowner manual.
	Pilot not grounded well	Check ground connections
	Sensor Wire loose	Check sensor wire terminals
	Gas pressure incorrect	Adjust gas pressure
	Pilot Gas Line bent or kinked	Replace pilot tube
	Faulty pilot, Sensor bent	Replace Pilot
	Faulty valve	Replace Valve
Burner takes too long to fully light	Low gas pressure	Check gas supply pressure
	Clogged or dirty carryover/burner ports	Clean ports
	Blocked orifice	Check orifice opening
	Faulty valve	Replace valve
Burner does not light but pilot remains on	Low gas pressure	Check gas supply pressure
	Clogged or dirty burner ports	Clean burner ports
	Blocked orifice	Check orifice opening
	Loose wire connections	Check valve/control module connections
	Faulty pilot	Replace pilot
	Faulty valve	Replace valve
Burner lights but does not stay lit while pilot remains on	Low gas pressure	Check gas supply pressure
	Loose sensor wire	Check wire connection
	Faulty valve	Replace valve
	Faulty pilot or thermocouple	Replace Safety pilot
	Clogged or dirty burner ports	Clean burner ports
	Room temperature is higher than thermostat setting	Move remote away from fireplace Set higher temperature on remote/thermostat
	Remote control batteries failing	Replace batteries in remote transmitter and receiver

TROUBLESHOOTING (CONT'D)

PROBLEM OBSERVED	POSSIBLE CAUSE	CORRECTIVE MEASURE	
Burner & pilot light but will not stay lit	Flame sensor dirty	Clean pilot sensor	
	Low gas pressure	Check gas supply pressure	
	Not enough fresh air for pilot	Open door or window - ventilate	
	Clogged or dirty burner ports	Clean burner ports	
	(For fireplace equipped with optional thermostat or thermostat remote) Room temperature is higher than thermostat setting	Move (optional) remote away from fireplace	Set higher temperature on (Optional) remote/ thermostat
		If using LP gas, verify pilot bracket is not installed. Pilot bracket if included, will be outside of burner box to the right and above the pilot	Remove pilot bracket
	Remote control batteries failing	Replace batteries in remote transmitter and receiver	
	Faulty pilot or thermocouple	Replace pilot	
Incorrect burner flame	Incorrect gas supply or pressure	Check gas supply pressure	
	Blocked orifice	Check orifice opening	
	Clogged or dirty burner ports	Clean burner ports	
	Faulty valve	Replace valve	
	High altitude	Adjust orifice size for altitude	
Backfire of burner	Blocked orifice	Check orifice opening	
	Clogged or dirty burner ports	Clean burner ports	
	Low gas pressure	Check gas supply pressure	
Fireplace produces unwanted odors	Vapors from paint, hairspray, glue, etc.	Ventilate room until odor stops. Do not use paint, hairspray, glue, etc around fireplace	
	Initial burn-off of manufacturing chemicals	Ventilate room until odor stops	
Whistle noise from fireplace	Check gas pressure	Adjust gas pressure to recommended setting.	
	Air in gas line	Bleed lines	
	Control knob not in fully open position	Open control knob to full position	
	Spiral gas flex line pinched or too small diameter line	Straighten flex line where pinched or replace gas feed line with larger diameter	

EXPLODED VIEW



⚠ WARNING

Failure to position the parts in accordance with these diagrams or failure to use only parts specifically approved with this heater may result in property damage or personal injury.

PARTS LIST

INDEX NO.	PART NO. VFLL60SP	DESCRIPTION
1	36787	Standoff Bracket (6 Required)
2	36774	Non-Combustible Board - Top (2 Required)
3	36825	Non-Combustible Board - Side (4 Required)
4	37356	Inner Firebox Top
5	28688	Nailing Flange (8 Required)
6	37351	Reflector Rear - Right
7	37368	Reflector Rear - Left
8	37363	Junction Box
10	37350	Center Reflector Assembly
12	R12290	Glass - Front (2 Required)
13	R12294	Wire Harness - Switches
14	R12284	Control Module - LED
15	R11918	LED Lighting Strip - Front
16	R11918	LED Lighting Strip - Front Left
17	R11986	LED Lighting Strip - Rear
18	R11920	Transformer - LED
19	36827	Bracket - LED Buttons
20	R12296	Wall Plate
21	R11235	Remote Receiver
22	R11921	Switch Button - LED (2 Required)
23	R12295	Wall Box
24	R12292	Glass - Burner (2 Required)
25	R12399	Glass-Side Burner (2 Required)
26	37364	Burner Box - Front
27	37365	Burner Box - Back
28	32680	Pilot Tube Assembly (LP Only) *A *B
29	36770	Pilot - Regulator Tube Assembly (NAT Only) *A
30	36769	Valve - Regulator Tube Assembly (NAT Only) *B
31	R7063	Regulator - Pilot (NAT Only)

INDEX NO.	PART NO. VFLL60SP	DESCRIPTION
32	R11234	Valve - LP
32	R11233	Valve - NAT
33	P313	Fitting - Orifice Holder
34	P304	Orifice - LP
34	P211	Orifice - NAT
35	R7624	Air Shutter
36	34440	Pilot Bracket
37	R11327	Pilot - LP
37	R11328	Pilot - NAT
38	R12398	Burner Tube Assembly
39	37486	Inner Top Deflector (2 Optional)
40	36876	LED Replacement Kit (Includes #15,16,17)
41	37482	Pilot Shield - NAT
42	37370	Glass Support Side (2 Required)
43	37371	Glass Support, Center (2 Required)
N/S	R11597	Tubing Ferrule - Pilot
N/S	R11598	Tubing Nut - Pilot
N/S	R1978	Tubing Nut and Ferrule - Valve
N/S	B100100	Fitting - 3/8 Flare to 3/8 Pipe
N/S	R7591	Flex Line
N/S	R11128	Power Adaptor, 7.0 VDC
N/S	R11127	Control Module - Proflame
N/S	R11123	Control Module Harness
N/S	R11237	Receiver Harness
N/S	R11973	Receiver Harness Extension
N/S	R11236	Remote
N/S	R11332	Flame Sensor Wire
N/S	R11333	Ignitor Wire
N/S	R11441	Receptical (2 Required)
N/S	37116	Junction Box Cover

*A Also requires R11597 and R11598.

*B Also requires R1978.

MASTER PARTS DISTRIBUTOR LIST

To Order Parts Under Warranty, please contact your local Empire dealer. See the dealer locator at www.empirecomfort.com. To provide warranty service, your dealer will need your name and address, purchase date and serial number, and the nature of the problem with the unit.

To Order Parts After the Warranty Period, please contact your dealer or one of the Master Parts Distributors listed below. This list changes from time to time. For the current list, please click on the Master Parts button at www.empirecomfort.com. Please note: Master Parts Distributors are independent businesses that stock the most commonly ordered Original Equipment repair parts for Heaters, Grills, and Fireplaces manufactured by Empire Comfort Systems Inc.

Dey Distributing
 1401 Willow Lake Boulevard
 Vadnais Heights, MN 55101

Phone: 651-490-9191
 Toll Free: 800-397-1339
 Website: www.deydistributing.com
 Parts: Heater, Hearth and Grills

F. W. Webb Company
 200 Locust Street
 Hartford, CT 06114

Phone: 860-722-2433
 Toll Free: 800-243-9360
 Fax: 860-293-0479
 Toll Free Fax: 800-274-2004
 Websites: www.fwwebb.com & www.victormfg.com
 Parts: Heater, Hearth and Grills

East Coast Energy Products
 10 East Route 36
 West Long Branch, NJ 07764

Phone: 732-870-8809
 Toll Free: 800-755-8809
 Fax: 732-870-8811
 Website: www.eastcoastenergy.com
 Parts: Heater, Hearth and Grills

HOW TO ORDER REPAIR PARTS

Parts Not Under Warranty

Parts can be ordered through your Service Person, Dealer, or a Master Parts Distributor. See this page for the Master Parts Distributors list. For best results, the **service person or dealer** should order parts through the distributor. Parts can be shipped directly to the **service person/dealer**.

Warranty Parts

Warranty parts will need a proof of purchase and can be ordered by your Service Person or Dealer. Proof of purchase is **required** for warranty parts.

All parts listed in the Parts List have a Part Number. When ordering parts, first obtain the Model Number and Serial Number from the name plate on your equipment. Then determine the Part Number (**not** the Index Number) and the Description of each part from the following illustration and part list. Be sure to give all this information . . .

Fireplace Model Number _____ Part Description _____
 Fireplace Serial Number _____ Part Number _____
 Type of Gas (Propane or Natural) _____

Do not order bolts, screws, washers or nuts. They are standard hardware items and can be purchased at any local hardware store. Shipments contingent upon strikes, fires and all causes beyond our control.

WARRANTY

Empire Comfort Systems Inc. warrants this hearth product to be free from defects at the time of purchase and for the periods specified below. Hearth products must be installed by a qualified technician and must be maintained and operated safely, in accordance with the instructions in the owner's manual. This warranty applies to the original purchaser only and is not transferable. All warranty repairs must be accomplished by a qualified gas appliance technician.

Limited Lifetime Parts Warranty with a Five-Year Limited Labor Warranty – Combustion Chamber and Heat Exchanger

If the combustion chamber or heat exchanger (see parts list) fails because of defective workmanship or material, Empire will repair or replace at Empire's option. Within five years from the date of purchase, Empire will pay reasonable labor to have the defective part repaired or replaced at Empire's option.

Limited Five-Year Parts & Labor Warranty – All Other Components (Except Remote Controls, Thermostats, Accessories and Replacement Parts)

Should any part fail because of defective workmanship or material within five years from the date of purchase, Empire will repair or replace at Empire's option. Within five years from the date of purchase, Empire will pay reasonable labor to have that defect repaired at Empire's option.

Limited One-Year Parts Warranty – Remote Controls, Thermostats, Accessories, and Parts

Should any remote control, thermostat, accessory, or other part fail because of defective workmanship within one year from the date of purchase, Empire will repair or replace at Empire's option.

Duties Of The Owner

The appliance must be installed by a qualified installer and operated in accordance with the instructions furnished with the appliance. A bill of sale, cancelled check, or payment record should be kept to verify purchase date and establish warranty period. Ready access to the appliance for service.

What Is Not Covered

Damages that might result from the use, misuse, or improper installation of this appliance.
Travel, diagnostic costs and freight charges on warranted parts to and from the factory.
Claims that do not involve defective workmanship or materials.
Unauthorized service or parts replacements.
Removal and reinstallation cost.
Inoperable due to improper or lack of maintenance.

How To Get Service

To make a claim under this warranty, please have your receipt available and contact your installing dealer. Provide the dealer with the model number, serial number, type of gas, and purchase verification. The installing dealer is responsible for providing service and will contact the factory to initiate any warranted parts replacements. Empire will make replacement parts available at the factory. Shipping expenses are not covered.

If, after contacting your Empire dealer, service received has not been satisfactory, contact: Consumer Relations Department, Empire Comfort Systems Inc., PO Box 529, Belleville, Illinois 62222, or send an e-mail to info@empirecomfort.com with "Consumer Relations" in the subject line.

Your Rights Under State Law

This warranty gives your specific legal rights, and you may also have other rights, which vary from state to state.



SINCE 1932

www.empirecomfort.com

**Empire Comfort Systems Inc.
Belleville, IL**

If you have a general question about our products, please e-mail us at info@empirecomfort.com.

If you have a service or repair question, please contact your dealer.