



## HBZDV3624/28, HBZDV4224/28

ZERO CLEARANCE DIRECT VENT GAS FIREPLACE



THE ULTIMATE IN DESIGN, ENGINEERING & QUALITY

This unit illustrated is a HBZDV3628N Zero Clearance Direct Vent Natural Gas Fireplace, with LOGC44 Log Set, HB36CVCK Designer Clean View Circulating Kit, and HB36RLH Red Herringbone Refractory Liner.



# HBZDV3624/28, HBZDV4224/28

ZERO CLEARANCE DIRECT VENT GAS FIREPLACE



## OPTIONS

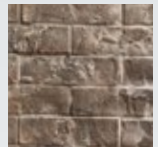


LOGC42



LOGC43

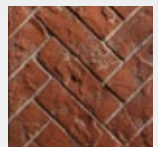
## STYLING



Traditional  
Brick Liner RLT



Herringbone  
Brick Liner RLH



Red Herringbone  
Brick Liner RRH



THE ULTIMATE IN DESIGN, ENGINEERING & QUALITY



# DESIGNER CLEAN VIEW™ OR LOUVERED FIREPLACES

Model	HBZDV3624N HBZDV4224N	HBZDV3628N HBZDV4228N	HBZDV3624LP HBZDV4224LP	HBZDV3628LP HBZDV4228LP
Flue	Top	Top	Top	Top
Fuel	Natural	Natural	Propane	Propane
Input Max.	24,000 BTU	28,000 BTU	22,000 BTU	26,000 BTU
Input Min.	14,000 BTU	20,000 BTU	15,000 BTU	19,000 BTU
FE (P.4.1-02)	51.0%/44.7%	58.7%/57.7%	46.0%/47.9%	62.4%/58.6%

Kingsman's Direct Vent models are easily adaptable to our patented Designer Clean View technology or standard louvers. Enjoy an incredible line of options and styles— from contemporary to classic – plus the beauty and pleasure of a cozy fire.

## STANDARD FEATURES

- Millivolt or IPI valve system allows operation during a power failure with Hi/low heat and flame adjustment
- Dual burner with Realistic Flame Pattern
- A flame sensor that constantly monitors the pilot flame and provides 100% gas shut off if pilot is not sensed
- Safety Screen Barrier\*



Safety Screen Barrier

## OPTIONAL FEATURES

**Designer Clean View Circulating Kit**  
(No Louvers Required)

### Grills

Available in Black, or Classic Series Black with Polish Brass, Antique or Chrome Accents

### Surrounds Wide (Louvered Units)

Chrome or Black

Coverage • HBZDV3624/28 – 35 1/2" h x 41 1/8" w  
Coverage • HBZDV4224/28 – 37 5/8" h x 45 1/8" w

### Fan Kit

Heat activated with variable speed control

### Brick Refractory Liner

Traditional, Herringbone, and Red Herringbone

### Thermostat

Wall Mount Millivolt Thermostat or Programmable Thermostat

### Remote Control

On/Off, Thermostat On/Off, Thermostat On/Off modulating, Thermostat On/Off modulating and fan control



### Log Sets

Choose from our LOGC42 Classic Oak Four Piece or LOGC43 Traditional Oak Four Piece or LOGC44 Burnt Oak Eight Piece Log Sets

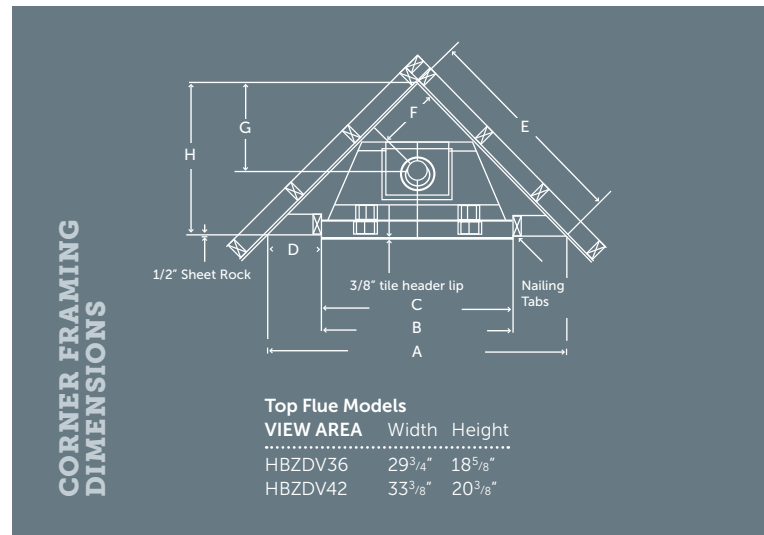
## CORNER FRAMING DIMENSIONS

### LOUVERED

	HBZDV36	HBZDV42
A	54 <sup>13</sup> / <sub>16</sub> "	58 <sup>13</sup> / <sub>16</sub> "
B	36 <sup>3</sup> / <sub>8</sub> "	42 <sup>5</sup> / <sub>8</sub> "
C	36"	42"
D	9 <sup>3</sup> / <sub>16</sub> "	8 <sup>1</sup> / <sub>4</sub> "
E	38 <sup>3</sup> / <sub>4</sub> "	41 <sup>5</sup> / <sub>8</sub> "
F	12 <sup>3</sup> / <sub>8</sub> "	13 <sup>3</sup> / <sub>4</sub> "
G	17 <sup>9</sup> / <sub>16</sub> "	19 <sup>1</sup> / <sub>2</sub> "
H	27 <sup>7</sup> / <sub>8</sub> "	29 <sup>7</sup> / <sub>16</sub> "

### CLEAN VIEW CIRCULATING KIT (CVCK)

	HBZDV36	HBZDV42
A	59 <sup>7</sup> / <sub>8</sub> "	63 <sup>13</sup> / <sub>16</sub> "
B	38 <sup>7</sup> / <sub>16</sub> "	42 <sup>7</sup> / <sub>16</sub> "
C	38 <sup>3</sup> / <sub>16</sub> "	42 <sup>1</sup> / <sub>16</sub> "
D	10 <sup>11</sup> / <sub>16</sub> "	10 <sup>3</sup> / <sub>16</sub> "
E	42 <sup>5</sup> / <sub>16</sub> "	45 <sup>1</sup> / <sub>8</sub> "
F	12 <sup>3</sup> / <sub>8</sub> "	13 <sup>3</sup> / <sub>4</sub> "
G	17 <sup>9</sup> / <sub>16</sub> "	19 <sup>1</sup> / <sub>2</sub> "
H	29 <sup>15</sup> / <sub>16</sub> "	31 <sup>7</sup> / <sub>8</sub> "



## UNIT AND FRAMING SPECIFICATIONS (IN.)

Top Flue Models	Height Actual	Height Framing	Width Actual	Width Framing	Depth Actual	Depth Framing
<b>LOUVERS</b>						
HBZDV36	34 <sup>13</sup> / <sub>16</sub> "	35"	36"	36 <sup>3</sup> / <sub>8</sub> "	16 <sup>7</sup> / <sub>16</sub> "	17"
HBZDV42	37"	37 <sup>1</sup> / <sub>8</sub> "	41 <sup>7</sup> / <sub>8</sub> "	42 <sup>3</sup> / <sub>8</sub> "	16 <sup>7</sup> / <sub>16</sub> "	17"
<b>CLEAN VIEW CIRCULATING KIT (CVCK)</b>						
HBZDV36	34 <sup>11</sup> / <sub>16</sub> "	41"	38 <sup>1</sup> / <sub>16</sub> "	38 <sup>7</sup> / <sub>16</sub> "	18 <sup>7</sup> / <sub>8</sub> "	19 <sup>1</sup> / <sub>2</sub> "
HBZDV42	36 <sup>13</sup> / <sub>16</sub> "	43"	42 <sup>1</sup> / <sub>16</sub> "	42 <sup>7</sup> / <sub>16</sub> "	18 <sup>15</sup> / <sub>16</sub> "	19 <sup>1</sup> / <sub>2</sub> "

\* All gas fireplaces manufactured as of January 1, 2015 will include a Safety Screen Barrier.



2340 Logan Avenue  
Winnipeg, Manitoba, Canada R2R 2V3  
Phone: (204) 632-1962 Fax: (204) 632-1960  
[www.kingsmanfireplaces.com](http://www.kingsmanfireplaces.com)

## HBZDV3624/28, HBZDV4224/28

ZERO CLEARANCE DIRECT VENT GAS FIREPLACE



\*Components may have to be ordered separately to create a complete unit. Discuss with your local Kingsman dealer for clarification.

Kingsman Fireplaces maintains a program of continuous testing, refinement and improvements of all its products. Some aspect of units shown here may be changed at any time without notice or obligation.  
Certification: The model HBZDV3624/4224 are certified to ANSI Z21.50-2014, CSA 2.22-2014, CGA 2.17-M91 (R2009) vented gas fireplace. The models HBZDV3628/4228 are certified to ANSI Z21.88-2014, CSA 2.35-2014, CGA 2.17-M91 (R2009) vented gas fireplace heater.