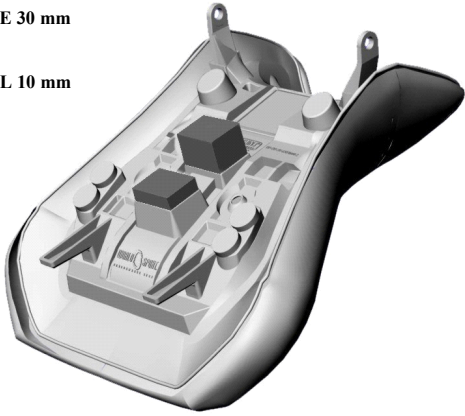


**MODELS SV-650 & SV-650S**

LARGE 30 mm

SMALL 10 mm

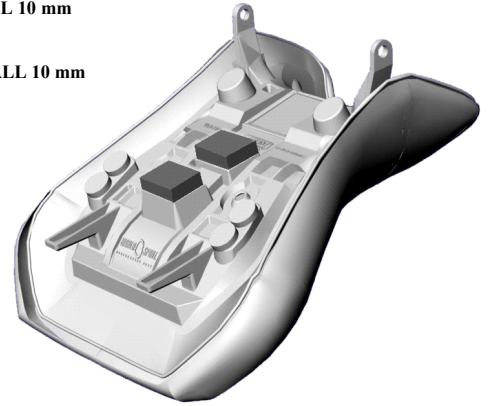


**BATTERY / COMPONENT  
CONTAINMENT SPACERS**  
WORLD SPORT PERFORMANCE SEAT  
**WS-540 / WS-547**  
SUZUKI SV-650 / 650S and 1000S

**MODEL SV-1000S**

SMALL 10 mm

SMALL 10 mm



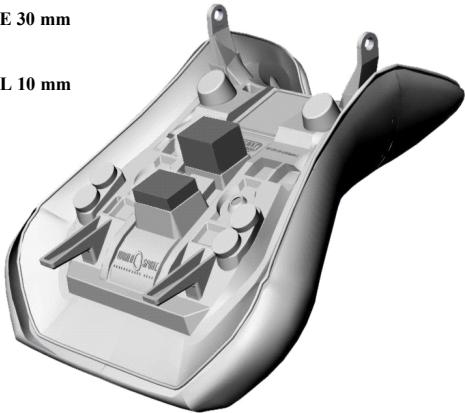
**IMPORTANT !**

The self adhesive foam pads are to minimize any battery or component movement under the seat. Match the correct arrangement for your Model and CC size.

**MODELS SV-650 & SV-650S**

LARGE 30 mm

SMALL 10 mm

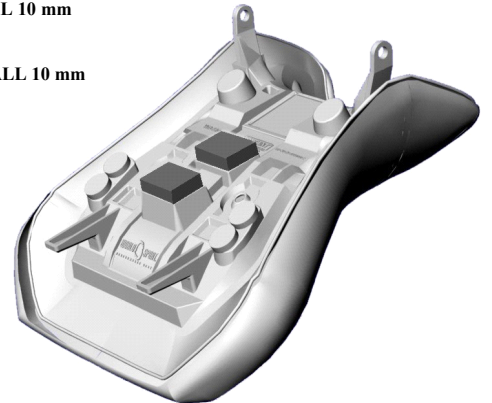


**BATTERY / COMPONENT  
CONTAINMENT SPACERS**  
WORLD SPORT PERFORMANCE SEAT  
**WS-540 / WS-547**  
SUZUKI SV-650 / 650S and 1000S

**MODEL SV-1000S**

SMALL 10 mm

SMALL 10 mm



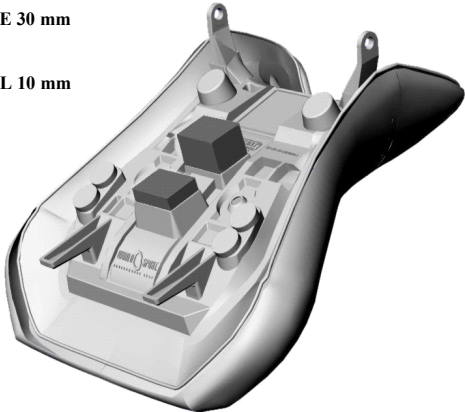
**IMPORTANT !**

The self adhesive foam pads are to minimize any battery or component movement under the seat. Match the correct arrangement for your Model and CC size.

**MODELS SV-650 & SV-650S**

LARGE 30 mm

SMALL 10 mm

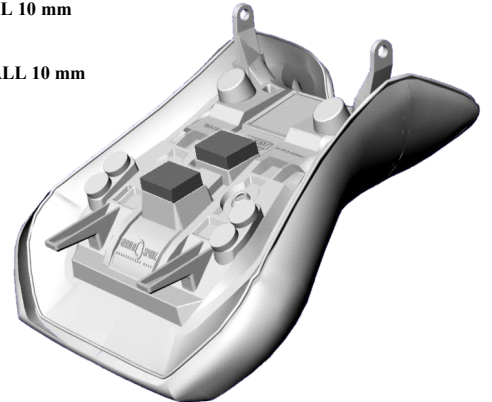


**BATTERY / COMPONENT  
CONTAINMENT SPACERS**  
WORLD SPORT PERFORMANCE SEAT  
**WS-540 / WS-547**  
SUZUKI SV-650 / 650S and 1000S

**MODEL SV-1000S**

SMALL 10 mm

SMALL 10 mm



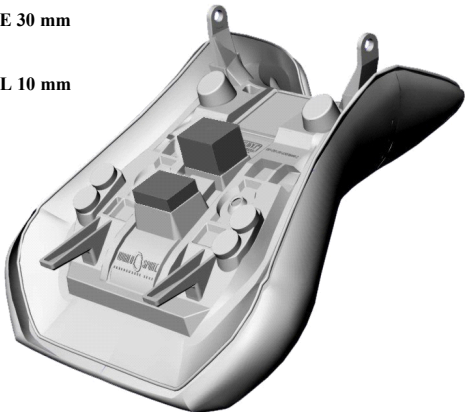
**IMPORTANT !**

The self adhesive foam pads are to minimize any battery or component movement under the seat. Match the correct arrangement for your Model and CC size.

**MODELS SV-650 & SV-650S**

LARGE 30 mm

SMALL 10 mm

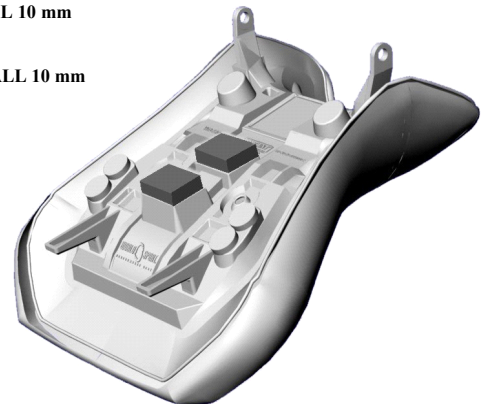


**BATTERY / COMPONENT  
CONTAINMENT SPACERS**  
WORLD SPORT PERFORMANCE SEAT  
**WS-540 / WS-547**  
SUZUKI SV-650 / 650S and 1000S

**MODEL SV-1000S**

SMALL 10 mm

SMALL 10 mm



**IMPORTANT !**

The self adhesive foam pads are to minimize any battery or component movement under the seat. Match the correct arrangement for your Model and CC size.